

SFS

Hinge range

catalogue



Chapter 1

General information

Chapter 2

Universal hinge Dynamic 3D for Euro groove

Chapter 3

Hinges for rebated timber doors and windows

Chapter 4

Hinges for flush fit timber doors and windows

Chapter 5

Hinges for German doors application

Chapter 6

Hinges for U-PVC doors and windows

Chapter 7

Hinges for glass doors

Chapter 8

Hinges for blinds and shutters

Chapter 9

Accessories and fitting tools

1

2

3

4

5

6

7

8

9

Guide to the catalogue

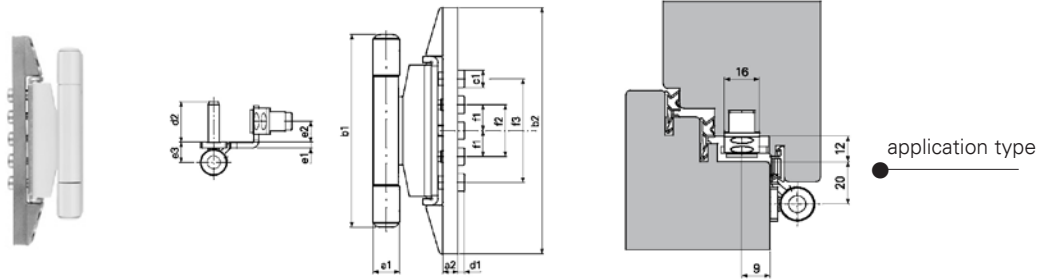
descriptive
code

Universal Dynamic 3D hinge for Euro hole

D3DN-16-002

2

Dynamic 3DN – Hinge for Euro milling position 9 mm on wood



application type

Technical information

nominal measures
table

a1 mm	a2 mm	b1 mm	b2 mm	c1 mm	d1 mm	d2 mm	e1 mm	e2 mm	e3 mm	f1 mm	f2 mm	f3 mm
16,0	9,0	119,0	152,0	10,7	4,0	25,0	3,6	9,0	12,5	16,0	32,0	64,0

item
characteristics

Application

- For Wooden doors and windows
- 2 hinge capacity 110 kg
- Adjustable -2/+6mm in height, +/-3mm on the side and +/-2mm in depth

details on page

1.15

other
colours on request



Product / Application	Part no.	Material	Finish	Salt spray hours	Packaging
D3DN16F002PFG	1564884	Steel / Zamak	Titanium Grey Plasticised	1000	12
D3DN16F002NM	1564877	Steel / Zamak	Dark Brown RAL 8022	1000	12
D3DN16F002VBL	1564883	Steel / Zamak	Light Bronzed	1000	12
D3DN16F002PP	1564879	Steel / Zamak	White Pearl RAL 1013	1000	12
D3DN16F002GAM	1569573	Steel / Zamak	Silver grey plasticised	1000	12
D3DN16F002BS	1564876	Steel / Zamak	Traffic White RAL 9016	1000	12

potential combinations
in the catalogue

Tools / Accessories

- BA
Page 9.55
- BPG
Page 9.69
- HSS
Page 9.69

SFS

2.2

06/2019

SFS

1.5

06/2019

The SFS Group

For over 60 years, the international SFS Group has been specialising in the development, manufacturing and marketing of fastening systems, door and window hinges and precision formed parts.

The activities of the SFS Group can be divided into three segments, each of which offers its services and products with a single goal:

creating benefits for customers.

The Engineered Components segment acts as a partner in the development and production of special precision cold formed parts and special screws under the brands SFS, Unisteel and Tegra Medical.

The Fastening Systems segment operates as an innovator and supplier of application-optimised fastening systems and door and window hinges under the SFS and Gesipa brands.

The Distribution & Logistics segment operates in Switzerland and is a reliable partner in shipping and logistics for dealers, artisans and manufacturing.

The range includes fasteners, tools, hardware and construction products.



SFS offices worldwide:



Our business strategy

Create benefits for the customer:

For our customers it means having available the specific knowledge of our employees regarding research and development, as well as the production and marketing to continuously improve the services offered.

Dedication and expertise to achieve convincing solutions:

Our focus is quality, starting from the first consultation, through post-production development, to the supply. At SFS, productivity and process control are supported by a powerful infrastructure and organisation.

Understanding customer needs is crucial for us

For SFS, being close to the customer is essential.

Our worldwide presence allows us immediate communications and a continuous exchange of information.

This means that specific solutions can be developed without the obstacle of language or cultural barriers.

Our customers can thus benefit from both our global strength and local presence.

Our goal is to achieve specific solutions for each application to ensure reliable supplies worldwide.



Inventing success together

Corporate Principles

SFS is able to meet the growing needs of customers regarding products, services and quality. These principles are based on five key points:

1. We seek partnership

We are committed to providing maximum customer value through innovation and quality. We want to be our customer's preferred partner. Better performance and service unites us with customers and suppliers. In our selected market segments we concentrate on a leadership position measured on a global scale.

2. We need commitment

Our people are fully committed to fulfilling our customers' needs. They are loyal and highly qualified. They promote continuous improvement. As co-entrepreneurs, they assume responsibility and claim the necessary authority. Their career development, compensation and rewards are based on performance.

3. We respect the community

We apply ourselves actively for the community and the environment. We promote free enterprise, free-market economy and democracy. SFS products, services, factories and jobs should be models of innovation, safety and efficiency.

4. We seek success

Through long-term above-average development, SFS maintains its independence. We achieve this through positive dynamics, adequate earnings and international orientation. Success makes us attractive and reliable to customers, suppliers, the public and investors.

5. We want positive changes

We have a positive attitude towards change and we are quick to implement it. We are honest and fair team players guided by an entrepreneurial spirit, mutual respect and a desire to keep things simple. We measure our performance in order to learn and to improve continuously.

Quality and safety management at the workplace are crucial aspects for SFS

All the requirements of quality, environmental and safety management systems have been added by SFS to an integrated company management system called BMS, which documents all company procedures.

The basis of the SFS company quality management system is compliance with the following international regulations:

- **ISO 9001:** quality management system requirements
- **ISO 14001:** requirements for environmental protection system management and implementation procedures
- **OHSAS 18001:** requirements for occupational health and safety management.
Depending on the sector in which we operate, there are sites that must comply with additional regulations such as
- **IATF 16949:** special requirements applied to ISO 9001 for the supply of special parts for the automotive sector
- **ISO 9100:** requirements for organisations working in the aerospace and defence fields
- **ISO 13485:** requirements for the medical sector
- **ISO 17025:** general requirements for internal testing and calibration laboratories

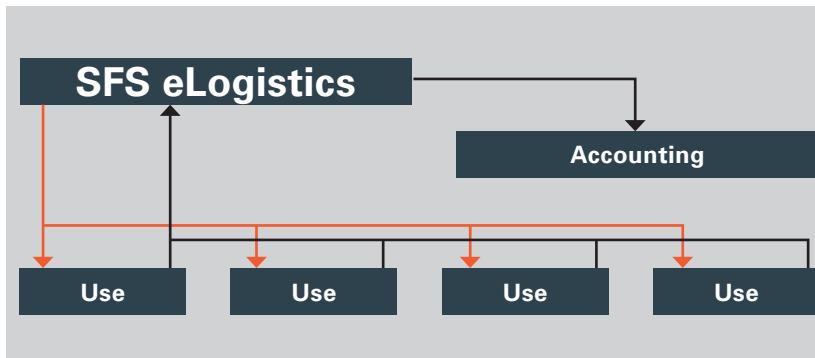


eLogistics

Automatic procurement system

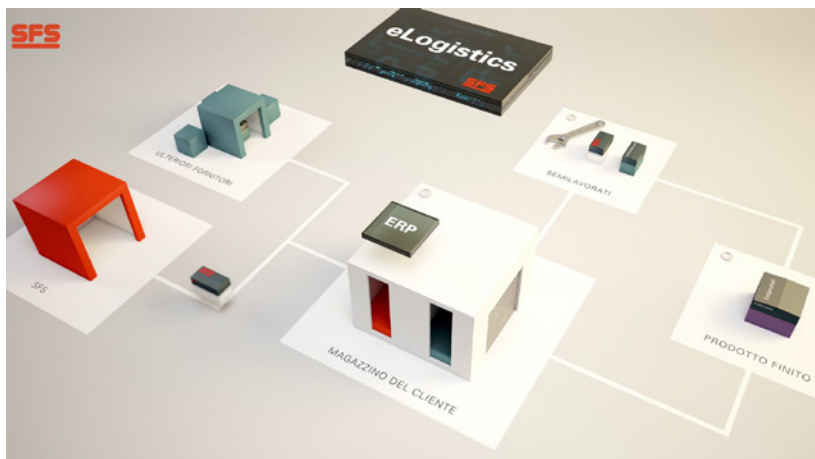
eLogistics is a flexible and modular logistic platform that simplifies and optimises the procurement processes.

Thanks to the M2M logistic modules (turnLOG2®, pushLOG2® and weightLOG2® and the new dropLOG® and labelLOG®) eLogistics creates an automatic procurement logic that reduces warehouse stocks and makes internal processes shorter, cheaper and safer.



A reorder quantity, a delivery frequency and a stock quantity that enable safe work operations until the next delivery, are defined for each item.

When the stock quantity is reached, eLogistics will order the material required by simply rotating the turnLOG2® drawers, simply pressing the push buttonLOG2® or automatically weighing the weightLOG2® containers.



The eLogistics platform, thanks to the flexibility of its IT core and M2M logistics modules, is able to support several procurement logistics such as:

- direct reorder from the warehouse
- direct reorder from usage site of the material (e.g.: production)
- multi-level procurement (e.g.: production - warehouse - supplier)
- internal procurement processes
- multiple facilities and multiple warehouses
- connection with the management system (ERP)

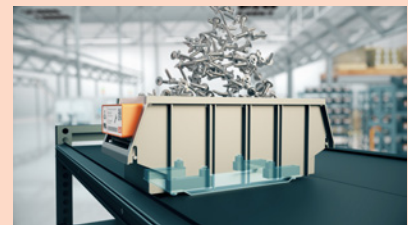
The M2M logistic modules



pushLOG2®: electronic label equipped with a button. Pressing the button activates the order of the corresponding material.



turnLOG2®: drawers with divider wall for safety compartment and smart label. Turning the drawer activates the order of the corresponding material.



weightLOG2®: drawers with scale and smart label. The material order is automatically ordered when the weight corresponding to the stock quantity is reached.



Modules pushLOG2®, turnLOG2® and weightLOG2® are equipped with two indicator lights. The first indicates if the material has been ordered, the second if the material has been shipped and is therefore on its way.

The new M2M logistic modules



dropLOG®: simple orders by reading NFC cards. Ideal for material in drawers or cabinets. Passing the card on the sensor activates the order.



labelLOG®: simple orders by reading QR codes with the special smartphone app "M2M by SFS". Practical system that does not require specific hardware.

Business Solutions

Electronic solutions to simplify and speed up your work. The working environment is complex and constantly evolving and presents us with several challenges every day.

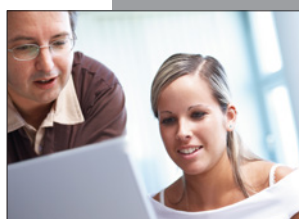
Work activities are based on key aspects: simple and fast processes, efficiency improvement and time and cost savings.

SFS' efforts are aimed at addressing these challenges and solving them successfully through additional services

made to measure for customers. Our portfolio of solutions is structured and adapted to the needs of different sectors.

Whether dealing with small and medium-sized companies, industries, retailers or system manufacturers, SFS eBusiness solutions adapt to a wide range of needs.

Furthermore, they are designed in such a way that they can be adapted individually based on specific customer requests.



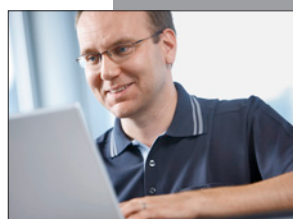
ePortal

Information one click away, always available!

- Displaying the status of orders in real time;
- Orders, confirmations,

T.D. and invoices always available for download;

- Purchase summary, list of invoices, price lists and more.



eShop

Website ordering system: easy and fast online orders!

- Quick and easy ordering, available 24 hours a day;

- Information on hand (products, orders, invoices);
- Option to create custom order models.



eScan

Simple and fast orders directly from your warehouse!

- Mobile barcode reader to order directly from your

shelves.



EDI

Direct dialogue between management systems!

- Automatic data exchange from ERP to ERP:

integrated and safe process between customer and SFS.

Salt spray test according to UNI EN standard 9227 and classification of the results according to UNI EN standard 1670

Corrosion tests in salt spray chamber are recognised at European regulatory level as the main ones able to simulate the real life of a component and test its resistance to deterioration in outdoor environments.

The term corrosion indicates the set of chemical-physical phenomena that cause the degradation of metallic materials due to the environment they are exposed to.

Corrosion and ageing tests are processes in which the material or the surface coating of the material (for example painting, zinc coating, burnishing, etc.) is subjected to particular conditions that should cause corrosion and once testing is carried out, the effects are evaluated.

These tests show the level of resistance to corrosion of the materials or coatings and therefore verify whether the material requires a surface coating or whether the coating application process, for example painting or galvanizing, is compliant or not.

At the end of the corrosion and ageing tests on organic coatings (paints) it is necessary to assess the parts subjected to testing.

The salt spray resistance test is not used to provide an

indication of real duration expressed in years, but is used to obtain a parameter to judge the quality of a coating or a material in comparison to another type of coating or material, or to determine compliance with a defined standard, or to determine after how many hours of exposure to salt spray the coating deteriorates.

It is therefore useless to attempt to understand how many years the salt spray hours correspond to. Real behaviour cannot be simulated, usage conditions can only be approximated through the salt spray test and hour limits of exposure to salt spray that our products must pass to be guaranteed as quality products.

It will therefore not be possible to promote a product by saying that it will resist rust for 10 years, but it can be said for example that it exceeds 500 hours of salt spray, in comparison to a product that only exceeds 250 hours, on the other hand.



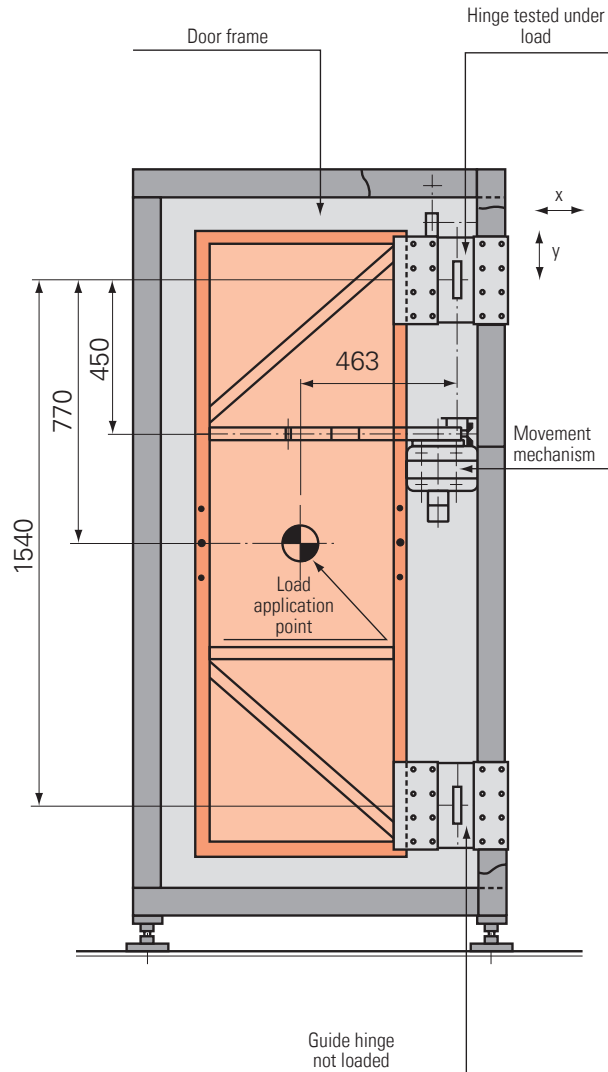
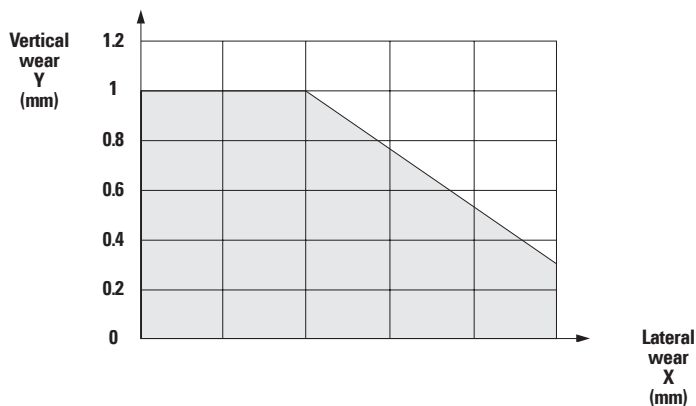


Functional test according to EN 1935

All SFS hinges subjected to the recommended loads must comply with the conditions established by EN standard 1935.

In addition to the shear strength and static load tests required by the standard, our hinges are subjected to the durability test described below:

- load the hinged test element with the mass required by the hinge class
- measure and record the relative vertical and horizontal distances between the hinge elements and the reference surfaces
- rotate the hinged test element for 20 cycles at $92.5^\circ \pm 2.5^\circ$
- measure the torque required to start rotation at $0^\circ \pm 5^\circ$, $30^\circ \pm 5^\circ$, $60^\circ \pm 5^\circ$, $90^\circ \pm 5^\circ$
- The max torque detected must not exceed the following parameters:
2 Nm class 1 - 7
3 Nm class 8 - 11
4 Nm class 12 - 14
- the test must be performed with a frequency of 600 ± 30 cycles/hour with an opening of $92.5 \pm 5^\circ$
- after 200,000 cycles, measure the opening torque and the vertical and horizontal relative distances between the hinge elements and the reference surfaces. The extent of side and vertical wear measured as displacement between the reference surfaces must be within the area of the following graph:



Classification EN 1935 of CE certified hinges

Item description	Usage category	duration test (cycles)	Door dimensions	Fire and smoke resistance	Safety	Corrosion resistance	Anti-burglary protection	Hinge class	page
Dynamic 3DN	3	7	4	0	1	4	0	11	from 2.2 to 2.7
Dynamic 3D Ø 20	3	7	4	0	1	4	0	11	from 2.8 to 2.16
Dynamic 2D-10	3	7	4	0	1	4	0	11	6.12
W-Tec 3Ds	2	7	3	0	1	4	0	10	from 4.21 to 4.23
W-Tec 3D+60	2	7	3	1	1	4	0	10	from 4.24 to 4.26
W-Tec 3D+100	3	7	4	1	1	4	0	11	from 4.27 to 4.29
W-Tec 3D+160	4	7	6	0	1	4	1	13	from 4.30 to 4.32
W-Tec 3Df 160	4	7	6	1	1	4	1	13	from 4.33 to 4.35
W-Tec 3DL	4	7	7	0	1	4	1	14	from 4.36 to 4.38
Easy 3D Ø 20	3	7	4	1	1	4	0	11	from 3.55 to 3.64
Easy 3D-030	3	7	4	1	1	4	0	11	4.18
Just 3D	3	7	4	1	1	*)	0	11	from 4.19 to 4.20
11R Ø 14	2	7	1	0	1	4	0	4	3.45
11R Ø 15-000	2	7	2	1	1	3	0	7	3.46
11R Ø 15-005 11R Ø 15-006	2	7	2	1	1	3	0	7	4.6 4.7
11R Ø 15-009	2	7	2	1	1	3	0	7	3.49
11R Ø 15-030	2	7	2	1	1	3	0	7	3.48
11R Ø 15-033 11R Ø 15-034	2	7	2	1	1	3	0	7	4.3 4.5
11R Ø 20-000	2	7	2	1	1	*)	0	7	3.51
11R Ø 20-017	2	7	2	1	1	3	0	7	3.50
40H Ø 18-009	3	7	4	1	1	*)	0	11	3.38
40H Ø 18-008	3	7	4	1	1	*)	0	11	3.39
220 Ø 15	2	7	2	1	1	*)	0	7	5.5
220 Ø 15	3	7	4	0	1	*)	0	11	5.6

*) Hinge finish	Classification according to UNI EN 1670
Zinc	3
Matt nickel	0
Zinc GSS	3
Nickel	2
Brassed	2



Functional test according to RAL standard

The capacity values of the SFS hinges have been measured after subjecting them to the test and in the conditions established by the RAL standard which we summarise below:

1.1 Duration test of 200,000 cycles

Door opening by least 90° and closing

7 - 9 openings and closings per minute

The door is initially moved for 10,000 cycles, then the X1 - Y1 measurement is checked. After another 190,000 cycles the X2 - Y2 measurement is checked.

The horizontal and vertical offset can be a maximum of 2mm. The hinges must remain functional and after the cycles the door must be able to close starting from a 15° angle.

1.2 Additional load

Door in open position

Apply a vertical force of 1000N on the handle and maintain it for 2.5 minutes

Open the door at 90° and repeat the load.

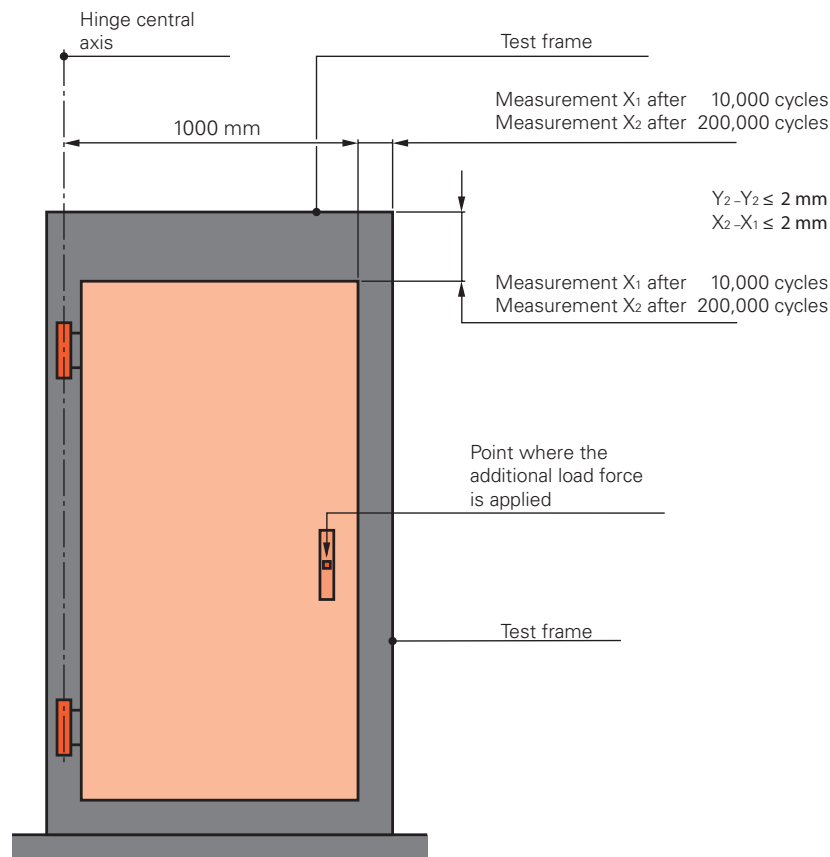
After removing the load, the door must not exceed the permissible values in closed position.

The stated weight capacity value was calculated with a dynamic test carried out according to the RAL standard, involving:

- 200,000 opening movements at 90°
- door measuring 2000mm (height) x 1000mm (width)
- 2 fitted hinges

It is important to bear in mind not only the stress due to structural factors (weight and dimensions) but also the external factors that the system is subjected to, as these can affect the weight capacity and life-span of the hinge, for example:

- measurements of the door outside the tolerance ranges (width and/or height)
- place of installation and use of the door (residential buildings, public buildings, schools, nurseries, etc.)



- frequency of opening
- presence of obstacles that prevent opening and/or closing (door stops, reveals, etc.)
- door opener and/or door closer
- doors with inward or outward opening
- weather conditions
- type of frame material (wood, PVC, aluminium etc.)

Care should be taken to choose the most suitable system, bearing in mind the factors listed above and the following variables:

- number of hinges fitted
- position that the hinges are fitted in
- type of hinges fitted

The essential requirements for ensuring the best performance of a hinge are:

- installation in a workmanlike manner of the hinge, of its accessories and of the door
- stability and correct installation of the frame

Number of hinges to be fitted

There are formulas to correctly calculate the stresses that the hinges are prone to.

Example A:

Weight of the door/window above the declared weight capacity value

The capacity values of the 3rd or 4th additional hinge is equal to:

30% than stated, for mass less than or equal to 100 kg.

20% than stated, for mass less than or equal to 100 kg.

E.g.:

Weight of the door: 90 kg

Door measurements: 2000x1000 mm

Capacity declared for 2 hinges: 80 kg (=> capacity for 1 hinge: 40 kg)

Capacity of each additional hinge (3rd or 4th): 20% of 40 kg = 8 kg

Number of hinges to be fitted: 80 kg + 8 kg + 8 kg = 96 kg => 4 hinges

Example B:

Width of the door/window above 1000mm

A 10% increase in weight of the door/window must be considered for each 100 mm of width beyond 1000mm

E.g.:

Weight of the door: 70 kg

Door measurements: 2000x1200 mm

Actual door weight: 70 kg + 20% of 70 kg = 84 kg

Capacity declared for 2 hinges: 80 kg (=> capacity for 1 hinge: 40 kg)

Capacity of each additional hinge (3rd or 4th): 20% of 40 kg = 8 kg

Number of hinges to be fitted: 3 hinges

Example C:

Weight of the door/window with standard door closer

When a standard door closer device is installed, the weight of the door/window must be considered with an increase of 20%.

E.g.:

Weight of the door: 70 kg

Door measurements: 2000x1000 mm

Actual door weight: $70 \text{ kg} + 20\% \text{ of } 70 \text{ kg} = 84 \text{ kg}$

Capacity declared for 2 hinges: 80 kg (\Rightarrow capacity for 1 hinge: 40 kg)

Capacity of each additional hinge (3rd or 4th): 20% of 40 kg = 8 kg

Number of hinges to be fitted (minimum 3 hinges, 4 recommended):

$80 \text{ kg} + 8 \text{ kg} + 8 \text{ kg} = 96 \text{ kg} \Rightarrow 4 \text{ hinges}$

Example D:

Weight of the door/window with door closer with damper

When a door closer with damper is installed, the weight of the door/window must be considered with an increase of 75%.

E.g.:

Weight of the door: 70 kg

Door measurements: 2000x1000 mm

Actual door weight: $70 \text{ kg} + 75\% \text{ of } 70 \text{ kg} = 123 \text{ kg}$

Capacity declared for 2 hinges: 110 kg (\Rightarrow capacity for 1 hinge: 55 kg)

Capacity of each additional hinge (3rd or 4th): 20% of 55 kg = 11 kg

Number of hinges to be fitted (minimum 3 hinges, 4 recommended):

$110 \text{ kg} + 11 \text{ kg} + 11 \text{ kg} = 132 \text{ kg} \Rightarrow 4 \text{ hinges}$

In the case of obstacles, door stops, door closers and door openers, it is advisable to use an additional hinge and in any case to consider the extent of the leverage effect that could occur.

This rule is valid for a maximum of 4 fitted hinges. If the number is any higher, a different type of product should be used. Please contact SFS technicians for advice.

Installation of additional hinges

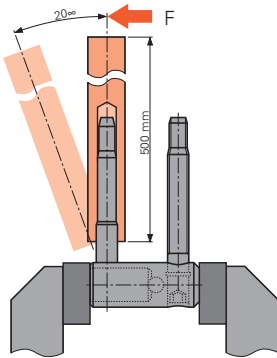
Additional hinges are usually fitted equally spaced out for aesthetic reasons or to ensure the correct pressure on the seal at the centre of the door.

In any case, their installation at the points under greatest stress improves the weight bearing capacity.

For example:

- if the door width exceeds the standard values (2000mm x 1000mm), the third hinge should be fitted at an average distance of 300mm from the top hinge.
- when there is a door stop on the floor, the additional hinge should be fitted 300mm from the lower one.
- if door openers/door closers are installed and in all cases where 4 hinges are recommended, the third hinge should be placed at an average distance of 300mm from the top hinge, while the fourth hinge should be placed at an average distance of 300mm from the lower hinge

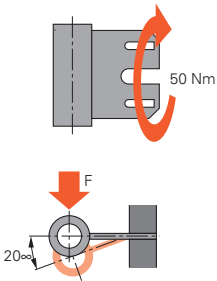
Pin welding test



All SFS hinges that the pin has been welded to must comply with the quality requirements described below.

- Test condition:
- Bending of the welded pin by approximately 20°
- Condition to be met:
- The weld must remain intact (without cracks)

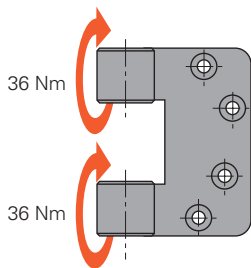
Welding test for plates with longitudinal welding



All SFS hinges with a longitudinal welding > 25 mm must comply with the quality requirements described below.

- Test condition:
- Apply a 50 Nm torque to the plate as per the drawing.
- Condition to be met:
- The weld must remain intact (without cracks)

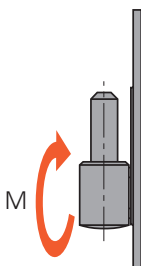
Welding test for plates with spot welding



All SFS hinges with plates for flush door must comply with the quality requirements described below.

- Test condition:
- Lock the plate.
 - Apply a 35 Nm torque to the base body as per the drawing.
- Condition to be met:
- The weld must remain intact (without cracks)

Welding test for fixing plates of hinges for PVC applications

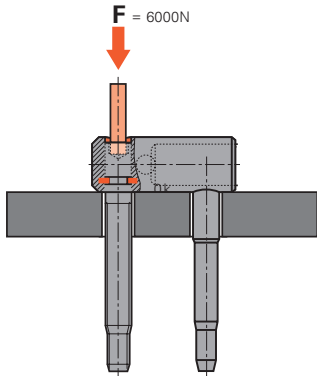


All SFS hinges for PVC applications must comply with the quality requirements described below.

- Test condition:
- Lock the fixing plate.
 - Apply a torque to the base body, of
 - a) 36 Nm (standard)
 - b) 25 Nm for adjustable hinges with 2 dimensions.

- Condition to be met:
- The weld must remain intact (without cracks)

Load test for threaded pins of adjustable hinges



All SFS hinges that swivel threaded pins have been inserted into must comply with the quality requirements described below.

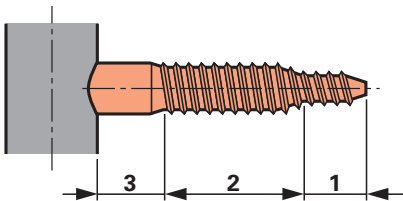
Test condition:

Apply a force of 6000 N on the threaded pin axially, as per the drawing

Condition to be met:

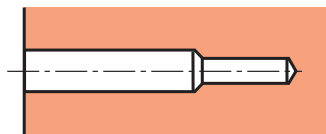
The position of the threaded pin must not have undergone any noticeable modification. After the test the threaded pin must be able to rotate easily.

Technology of SFS hinges with 3-diameter threaded pin

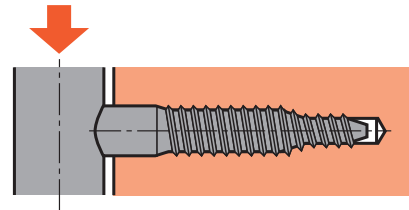


The special 3-diameter threaded pins safely secure the hinge in the wood and enable an optimal capacity.

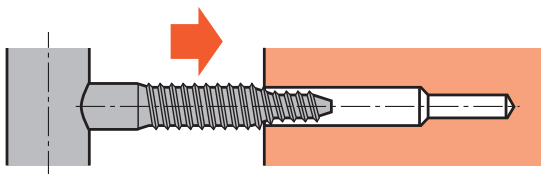
Thanks to the triple function of the threaded pin, and to the helical tip, assembly performed with SFS equipment is fast and does not present any problems.



- Drilling with the twist drill bit.

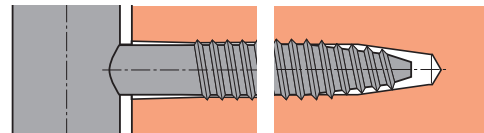


- The hole made adapts to the threaded pin which, therefore, adheres and is safely fixed in the wood along its entire length.

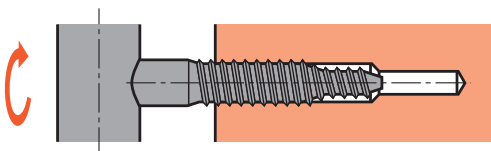


- The first part of the threaded pin is inserted into the hole. Assembly times are short as the pin must not be screwed along its entire length. The reduced insertion diameter ensures the threaded pin is centred. Screwing is perfectly aligned.

The third part compresses the wood. The adherent cylindrical part, once filled, enables optimal hinge capacity



- If the internal diameter of the threaded pin matches the preparation diameter of the pin, this negatively affects the capacity of the hinge. Perfect fastening between the two parts is missing specifically where the load is greatest.



- Screw the second part of the threaded pin.

The well-shaped sawtooth thread fits perfectly in the wood and grants excellent fastening.

SFS hinges can also be adjusted later. With conical pins adjustment is only possible in one direction.

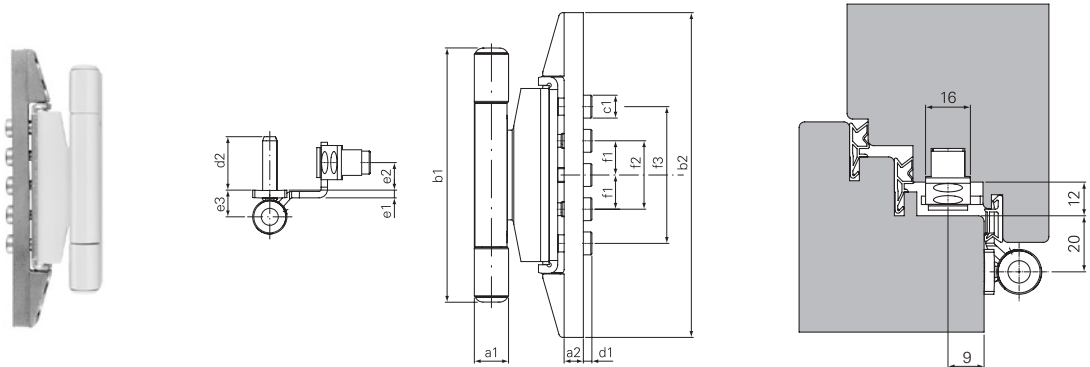
Universal hinge Dynamic 3D for Eurogroove

Product code	Application	Page
Dynamic 3DN Ø 16	Hinge for 9 mm Eurogroove position on timber	2.2
Dynamic 3DN Ø 16	Hinge for 13 mm Eurogroove position on timber	2.3
Dynamic 3DN Ø 16	Hinge for 9 mm Eurogroove position on PVC-U	2.4
Dynamic 3DN Ø 16	Hinge for 13 mm Eurogroove position on PVC-U	2.5
Dynamic 3DN Ø 16	Hinge for 9 mm Eurogroove position on Aluminium	2.6
Dynamic 3DN Ø 16	Hinge for 13 mm Eurogroove position on Aluminium	2.7
Dynamic 3D Ø 20	Hinge for 9 mm Eurogroove position on timber	2.8
Dynamic 3D Ø 20	Hinge for 13 mm Eurogroove position on timber	2.9
Dynamic 3D Ø 20	Hinge for 20 mm groove position 13 mm on timber	2.10
Dynamic 3D Ø 20	Hinge for 9 mm Eurogroove position on PVC-U	2.11
Dynamic 3D Ø 20	Hinge for 13 mm Eurogroove position on PVC-U	2.12
Dynamic 3D Ø 20	Hinge for 20 mm groove position 13 mm on PVC-U	2.13
Dynamic 3D Ø 20	Hinge for 9 mm Eurogroove position on Aluminium	2.14
Dynamic 3D Ø 20	Hinge for 13 mm Eurogroove position on Aluminium	2.15
Dynamic 3D Ø 20	Hinge for 24 mm Veka groove	2.16

D3DN-16-002

Dynamic 3DN - Hinge for 9 mm Eurogroove position on timber

2



Technical information

a1 mm	a2 mm	b1 mm	b2 mm	c1 mm	d1 mm	d2 mm	e1 mm	e2 mm	e3 mm	f1 mm	f2 mm	f3 mm	
16.0	9.0	119.0	152.0	10.7	4.0	25.0	3.6	9.0	12.5	16.0	32.0	64.0	

Application

- For timber doors and windows
- Load capacity with 2 hinges 110 kg
- Adjustable -2/+6mm in height, +/-3mm horizontal and +/-2mm gasket pressure



Product / Application	art. No	Material	Surface	Salt spray test hour	Packaging
D3DN16F002PFG	1564884	Steel / Zamak	Powder coated Titanium Grey	1000	12
D3DN16F002NM	1564877	Steel / Zamak	Painted silver grey	1000	12
D3DN16F002VBL	1564883	Steel / Zamak	Light Bronzed	1000	12
D3DN16F002PP	1564879	Steel / Zamak	Pearl White RAL 1013	1000	12
D3DN16F002GAM	1569573	Steel / Zamak	Painted silver grey	1000	12
D3DN16F002BS	1564876	Steel / Zamak	Traffic White RAL 9016	1000	12

Accessories



- BA
Page 9.55

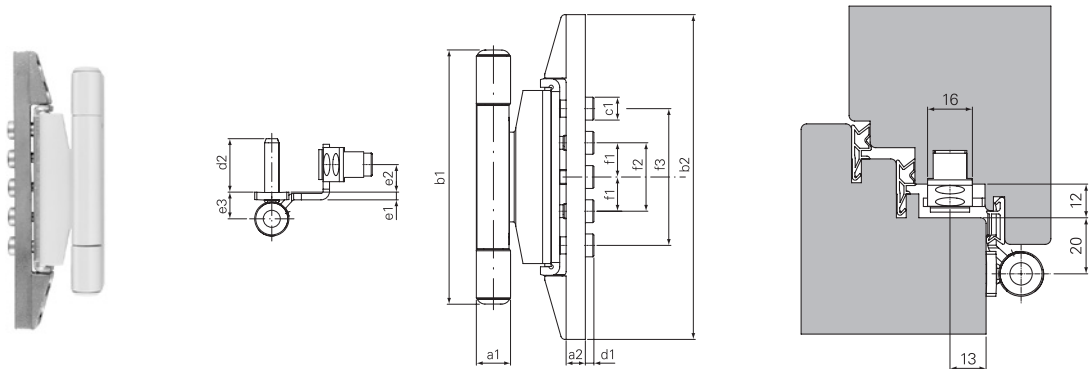


- BPG
Page 9.67



- HSS
Page 9.67

Dynamic 3DN - Hinge for 13 mm Eurogroove position on timber



Technical information

a1 mm	a2 mm	b1 mm	b2 mm	c1 mm	d1 mm	d2 mm	e1 mm	e2 mm	e3 mm	f1 mm	f2 mm	f3 mm	
16.0	9.0	119.0	152.0	10.7	4.0	25.0	3.6	13.0	12.5	16.0	32.0	64.0	

Application

- For timber doors and windows
- Load capacity with 2 hinges 110 kg
- Adjustable -2/+6mm in height, +/-3mm horizontal and +/-2mm gasket pressure



Product / Application	art. No	Material	Surface	Salt spray test hour	Packaging
D3DN16F000PMT	1563723	Steel / Zamak	Clay Brown RAL 8003	1000	12
D3DN16F000NM	1542184	Steel / Zamak	Black Brown RAL 8022	1000	12
D3DN16F000BS	1542179	Steel / Zamak	Traffic White RAL 9016	1000	12
D3DN16F000PP	1563720	Steel / Zamak	Pearl White RAL 1013	1000	12
D3DN16F000VBL	1564875	Steel / Zamak	Light Bronzed	1000	12
D3DN16F000GAM	1542180	Steel / Zamak	Painted silver grey	1000	12
D3DN16F000OT	1564873	Steel / Zamak	Brassed	120	12
D3DN16F000VDO	1564874	Steel / Zamak	Matt gold	1000	12
D3DN16F000PFG	1554809	Steel / Zamak	Powder coated Titanium Grey	1000	12

Accessories



- BA
Page 9.55



- BPG
Page 9.67

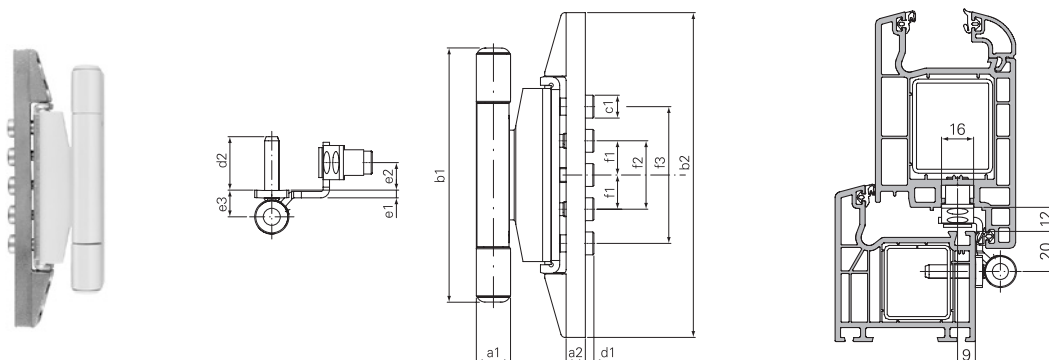


- HSS
Page 9.67

D3DN-16-002

Dynamic 3DN - Hinge for 9 mm Eurogroove position on PVC-U

2



Technical information

a1 mm	a2 mm	b1 mm	b2 mm	c1 mm	d1 mm	d2 mm	e1 mm	e2 mm	e3 mm	f1 mm	f2 mm	f3 mm	
16.0	9.0	119.0	152.0	10.7	4.0	25.0	3.6	9.0	12.5	16.0	32.0	64.0	

Application

- For PVC-U doors and windows
- Load capacity with 2 hinges 110 kg
- Adjustable -2/+6mm in height, +/-3mm horizontal and +/-2mm gasket pressure



Product / Application	art. No	Material	Surface	Salt spray test hour	Packaging
D3DN16F002PFG	1564884	Steel / Zamak	Powder coated Titanium Grey	1000	12
D3DN16F002NM	1564877	Steel / Zamak	Painted silver grey	1000	12
D3DN16F002VBL	1564883	Steel / Zamak	Light Bronzed	1000	12
D3DN16F002PP	1564879	Steel / Zamak	Pearl White RAL 1013	1000	12
D3DN16F002GAM	1569573	Steel / Zamak	Painted silver grey	1000	12
D3DN16F002BS	1564876	Steel / Zamak	Traffic White RAL 9016	1000	12

Accessories



- BA
Page 9.55

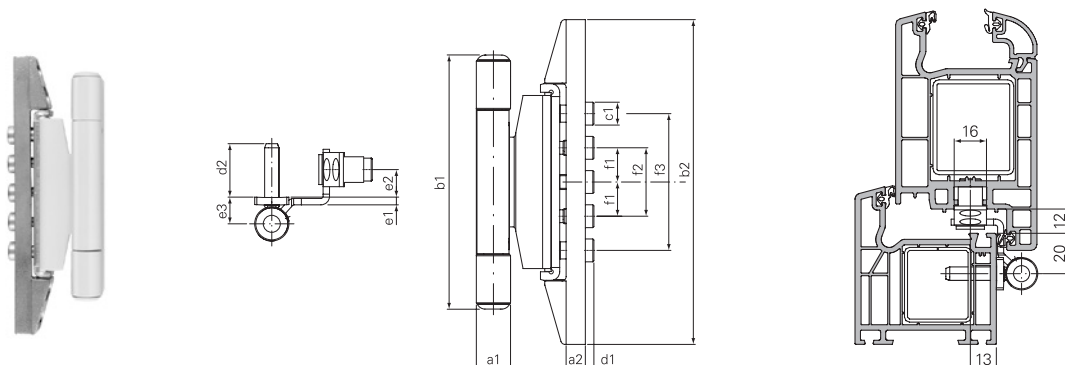


- BPG
Page 9.67



- HSS
Page 9.67

Dynamic 3DN - Hinge for 13 mm Eurogroove position on PVC-U



Technical information

a1 mm	a2 mm	b1 mm	b2 mm	c1 mm	d1 mm	d2 mm	e1 mm	e2 mm	e3 mm	f1 mm	f2 mm	f3 mm	
16.0	9.0	119.0	152.0	10.7	4.0	25.0	3.6	13.0	12.5	16.0	32.0	64.0	

Application

- For PVC-U doors and windows
- Load capacity with 2 hinges 110 kg
- Adjustable -2/+6mm in height, +/-3mm horizontal and +/-2mm gasket pressure



Product / Application	art. No	Material	Surface	Salt spray test hour	Packaging
D3DN16F000PMT	1563723	Steel / Zamak	Clay Brown RAL 8003	1000	12
D3DN16F000NM	1542184	Steel / Zamak	Black Brown RAL 8022	1000	12
D3DN16F000BS	1542179	Steel / Zamak	Traffic White RAL 9016	1000	12
D3DN16F000PP	1563720	Steel / Zamak	Pearl White RAL 1013	1000	12
D3DN16F000VBL	1564875	Steel / Zamak	Light Bronzed	1000	12
D3DN16F000GAM	1542180	Steel / Zamak	Painted silver grey	1000	12
D3DN16F000OT	1564873	Steel / Zamak	Brassed	120	12
D3DN16F000VDO	1564874	Steel / Zamak	Matt gold	1000	12
D3DN16F000PFG	1554809	Steel / Zamak	Powder coated Titanium Grey	1000	12

Accessories



- BA
Page 9.55



- BPG
Page 9.67

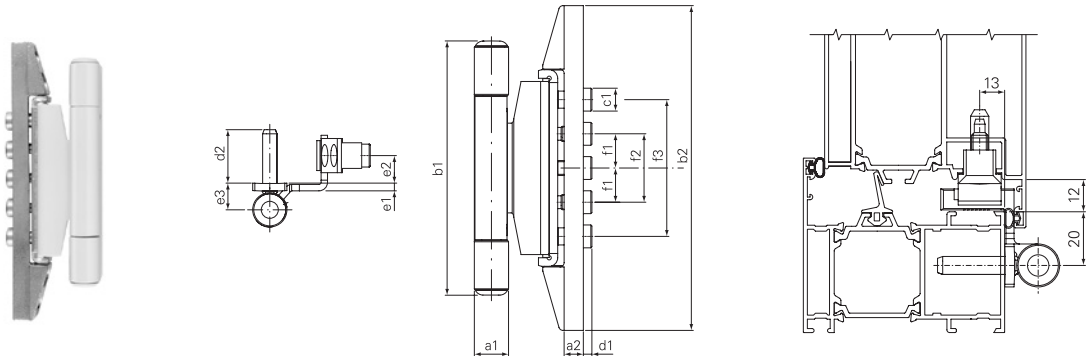


- HSS
Page 9.67

D3DN-16-002

Dynamic 3DN - Hinge for 9 mm Eurogroove position on Aluminium

2



Technical information

a1 mm	a2 mm	b1 mm	b2 mm	c1 mm	d1 mm	d2 mm	e1 mm	e2 mm	e3 mm	f1 mm	f2 mm	f3 mm	
16.0	9.0	119.0	152.0	10.7	4.0	25.0	3.6	9.0	12.5	16.0	32.0	64.0	

Application

- For Aluminium doors and windows
- Load capacity with 2 hinges 110 kg
- Adjustable -2/+6mm in height, +/-3mm horizontal and +/-2mm gasket pressure



Product / Application	art. No	Material	Surface	Salt spray test hour	Packaging
D3DN16F002PFG	1564884	Steel / Zamak	Powder coated Titanium Grey	1000	12
D3DN16F002NM	1564877	Steel / Zamak	Painted silver grey	1000	12
D3DN16F002VBL	1564883	Steel / Zamak	Light Bronzed	1000	12
D3DN16F002PP	1564879	Steel / Zamak	Pearl White RAL 1013	1000	12
D3DN16F002GAM	1569573	Steel / Zamak	Painted silver grey	1000	12
D3DN16F002BS	1564876	Steel / Zamak	Traffic White RAL 9016	1000	12

Accessories



- BA
Page 9.55

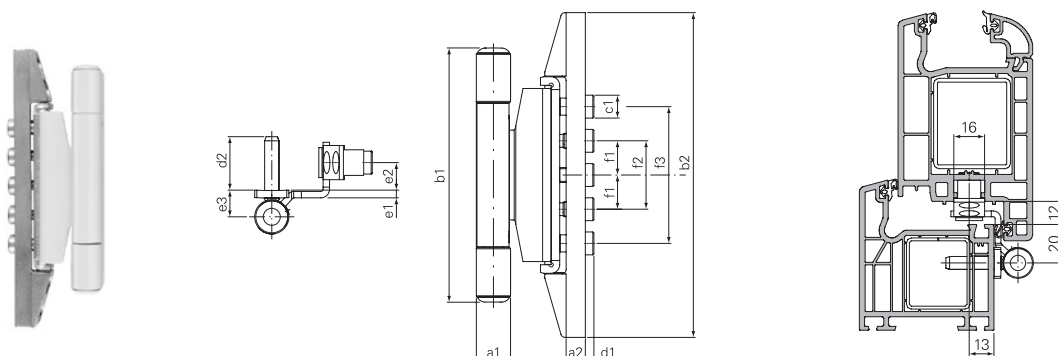


- BPG
Page 9.67



- HSS
Page 9.67

Dynamic 3DN - Hinge for 13 mm Eurogroove position on Aluminium



Technical information

a1 mm	a2 mm	b1 mm	b2 mm	c1 mm	d1 mm	d2 mm	e1 mm	e2 mm	e3 mm	f1 mm	f2 mm	f3 mm	
16.0	9.0	119.0	152.0	10.7	4.0	25.0	3.6	13.0	12.5	16.0	32.0	64.0	

Application

- For Aluminium doors and windows
- Load capacity with 2 hinges 110 kg
- Adjustable -2/+6mm in height, +/-3mm horizontal and +/-2mm gasket pressure



Product / Application	art. No	Material	Surface	Salt spray test hour	Packaging
D3DN16F000PMT	1563723	Steel / Zamak	Clay Brown RAL 8003	1000	12
D3DN16F000NM	1542184	Steel / Zamak	Black Brown RAL 8022	1000	12
D3DN16F000BS	1542179	Steel / Zamak	Traffic White RAL 9016	1000	12
D3DN16F000PP	1563720	Steel / Zamak	Pearl White RAL 1013	1000	12
D3DN16F000VBL	1564875	Steel / Zamak	Light Bronzed	1000	12
D3DN16F000GAM	1542180	Steel / Zamak	Painted silver grey	1000	12
D3DN16F000OT	1564873	Steel / Zamak	Brassed	120	12
D3DN16F000VDO	1564874	Steel / Zamak	Matt gold	1000	12
D3DN16F000PFG	1554809	Steel / Zamak	Powder coated Titanium Grey	1000	12

Accessories



- BA
Page 9.55



- BPG
Page 9.67

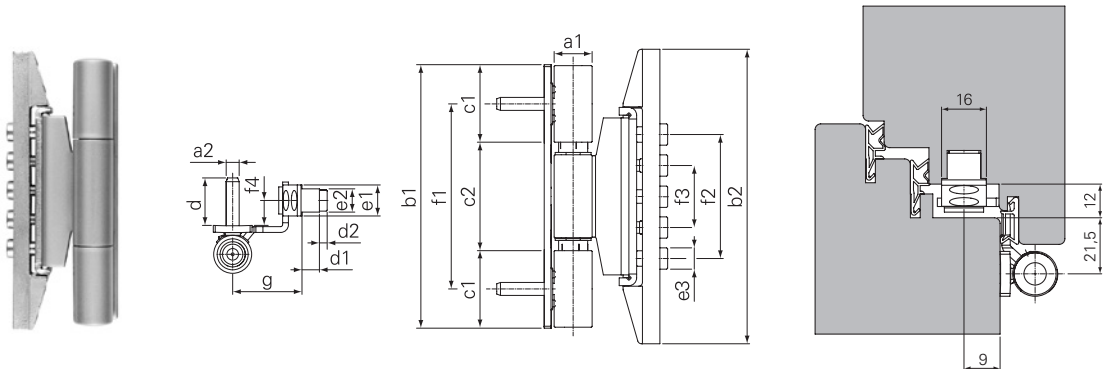


- HSS
Page 9.67

D3D-20-003

Dynamic 3D Ø 20 - Hinge for 9 mm Eurogroove position on timber

2



Technical information

a1 mm	a2 mm	b1 mm	b2 mm	c1 mm	c2 mm	d mm	d1 mm	d2 mm	e1 mm	e2 mm	e3 mm	f1 mm	f2 mm	f3 mm	f4 mm	g mm
20.0	6.7	136.0	152.0	39.5	56.0	25.0	9.0	4.0	16.0	12.0	10.7	95.5	64.0	32.0	9.0	35.0

Application

- For timber entrance doors
- Load capacity with 2 hinges 160 kg
- Adjustable +/-4mm in height, +/-3mm horizontal and +/-2mm gasket pressure



Product / Application	art. No	Material	Surface	Salt spray test hour	Packaging
D3D20F003BS	1484376	Steel / Zamak	Traffic White RAL 9016	1000	3
D3D20F003NM	1484377	Steel / Zamak	Black Brown RAL 8022	1000	3
D3D20F003GAM	1484394	Steel / Zamak	Painted silver grey	1000	3
D3D20F003ZG-AEL	1570454	Steel / Zamak	Brassed	120	3

Accessories



- BA
Page 9.57

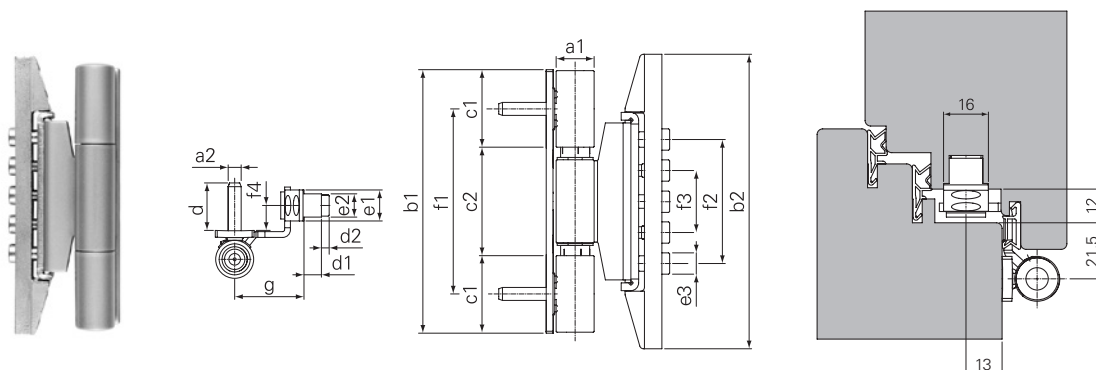


- BPG
Page 9.67



- HSS
Page 9.67

Dynamic 3D Ø 20 - Hinge for 13 mm Eurogroove position on timber



Technical information

a1 mm	a2 mm	b1 mm	b2 mm	c1 mm	c2 mm	d mm	d1 mm	d2 mm	e1 mm	e2 mm	e3 mm	f1 mm	f2 mm	f3 mm	f4 mm	g mm
20.0	6.7	136.0	152.0	39.5	56.0	25.0	9.0	4.0	16.0	12.0	10.7	95.5	64.0	32.0	13.0	35.0

Application

- For timber entrance doors
- Load capacity with 2 hinges 160 kg
- Adjustable +/-4mm in height, +/-3mm horizontal and +/-2mm gasket pressure



Product / Application	art. No	Material	Surface	Salt spray test hour	Packaging
D3D20F000GAM	1418830	Steel / Zamak	Painted silver grey	1000	3
D3D20F000BS	1418380	Steel / Zamak	Traffic White RAL 9016	1000	3
D3D20F000NM	1418829	Steel / Zamak	Black Brown RAL 8022	1000	3
D3D20F000PP	1430482	Steel / Zamak	Pearl White RAL 1013	1000	3
D3D20F000PMT	1430481	Steel / Zamak	Clay Brown RAL 8003	1000	3
D3D20F000ZG-VBL	1570452	Steel / Zamak	Light Bronzed	1000	3
D3D20F000ZG-AEL	1570613	Steel / Zamak	Brassed	120	3
D3D20F000ZG-VDO	1570450	Steel / Zamak	Matt gold	1000	3

Accessories



- BA
Page 9.57



- BPG
Page 9.67



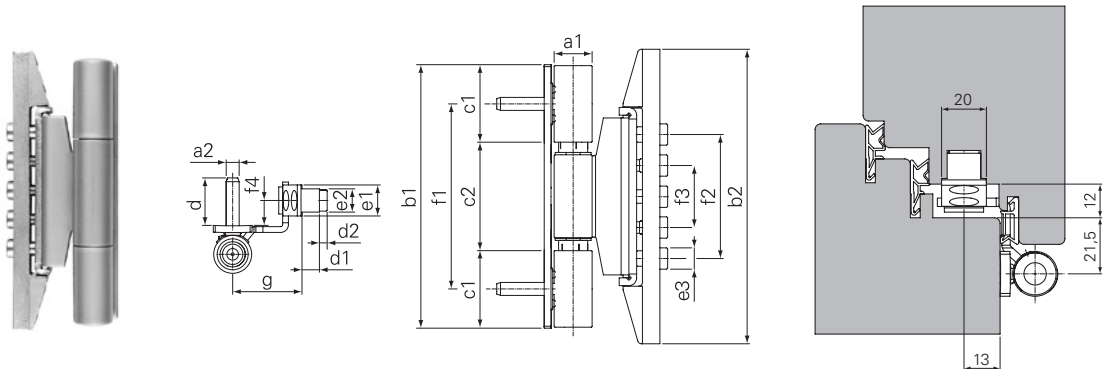
- HSS
Page 9.67



D3D-20-001

Dynamic 3D Ø 20 - Hinge for 20mm groove position 13 mm on timber

2



Technical information

a1 mm	a2 mm	b1 mm	b2 mm	c1 mm	c2 mm	d mm	d1 mm	d2 mm	e1 mm	e2 mm	e3 mm	f1 mm	f2 mm	f3 mm	f4 mm	g mm
20.0	6.7	136.0	152.0	39.5	56.0	25.0	9.0	4.0	20.0	12.0	10.7	95.5	64.0	32.0	13.0	35.0

Application

- For timber entrance doors
- Load capacity with 2 hinges 160 kg
- Adjustable +/-4mm in height, +/-3mm horizontal and +/-2mm gasket pressure



Product / Application	art. No	Material	Surface	Salt spray test hour	Packaging
D3D20F001BS	1422307	Steel / Zamak	Traffic White RAL 9016	1000	3
D3D20F001PP	1430562	Steel / Zamak	Pearl White RAL 1013	1000	3
D3D20F001PMT	1430561	Steel / Zamak	Clay Brown RAL 8003	1000	3
D3D20F001NM	1422326	Steel / Zamak	Black Brown RAL 8022	1000	3
D3D20F001GAM	1422327	Steel / Zamak	Painted silver grey	1000	3
D3D20F001ZG-AEL	1570449	Steel / Zamak	Brassed	120	3

Accessories



- BA
Page 9.57

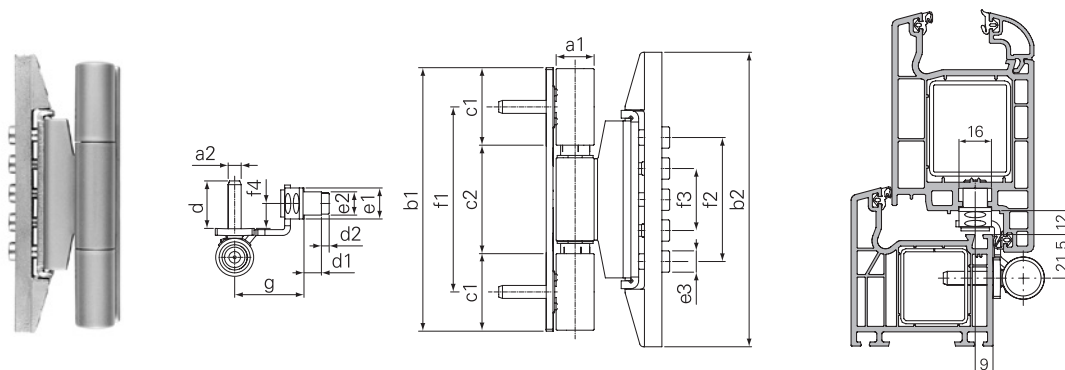


- BPG
Page 9.67



- HSS
Page 9.67

Dynamic 3D Ø 20 - Hinge for 9 mm Eurogroove position on PVC-U



Technical information

a1 mm	a2 mm	b1 mm	b2 mm	c1 mm	c2 mm	d mm	d1 mm	d2 mm	e1 mm	e2 mm	e3 mm	f1 mm	f2 mm	f3 mm	f4 mm	g mm
20.0	6.7	136.0	152.0	39.5	56.0	25.0	9.0	4.0	16.0	12.0	10.7	95.5	64.0	32.0	9.0	35.0

Application

- For PVC-U entrance doors
- Load capacity with 2 hinges 160 kg
- Adjustable +/-4mm in height, +/-3mm horizontal and +/-2mm gasket pressure



Product / Application	art. No	Material	Surface	Salt spray test hour	Packaging
D3D20F003BS	1484376	Steel / Zamak	Traffic White RAL 9016	1000	3
D3D20F003NM	1484377	Steel / Zamak	Black Brown RAL 8022	1000	3
D3D20F003GAM	1484394	Steel / Zamak	Painted silver grey	1000	3
D3D20F003ZG-AEL	1570454	Steel / Zamak	Brassed	120	3

Accessories



- BA
Page 9.57



- BPG
Page 9.67

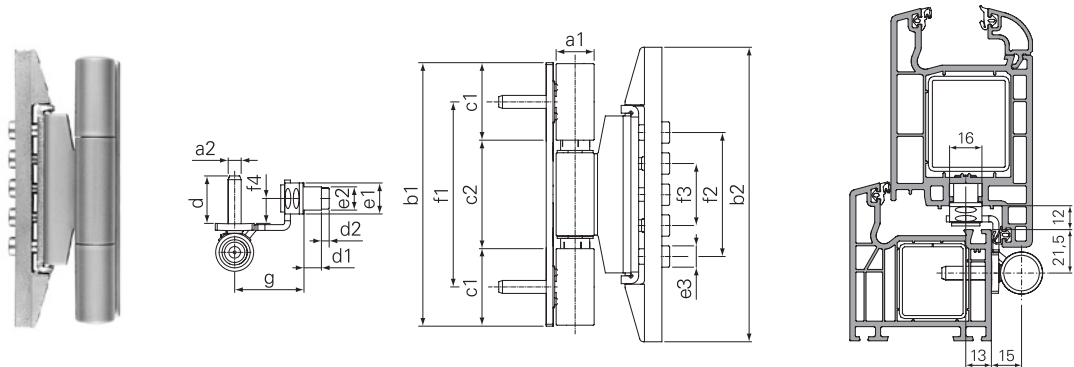


- HSS
Page 9.67

D3D-20-000

Dynamic 3D Ø 20 - Hinge for 13 mm Eurogroove position on PVC-U

2



Technical information

a1 mm	a2 mm	b1 mm	b2 mm	c1 mm	c2 mm	d mm	d1 mm	d2 mm	e1 mm	e2 mm	e3 mm	f1 mm	f2 mm	f3 mm	f4 mm	g mm
20.0	6.7	136.0	152.0	39.5	56.0	25.0	9.0	4.0	16.0	12.0	10.7	95.5	64.0	32.0	13.0	35.0

Application

- For PVC-U entrance doors
- Load capacity with 2 hinges 160 kg
- Adjustable +/-4mm in height, +/-3mm horizontal and +/-2mm gasket pressure



Product / Application	art. No	Material	Surface	Salt spray test hour	Packaging
D3D20F000GAM	1418830	Steel / Zamak	Painted silver grey	1000	3
D3D20F000BS	1418380	Steel / Zamak	Traffic White RAL 9016	1000	3
D3D20F000NM	1418829	Steel / Zamak	Black Brown RAL 8022	1000	3
D3D20F000PP	1430482	Steel / Zamak	Pearl White RAL 1013	1000	3
D3D20F000PMT	1430481	Steel / Zamak	Clay Brown RAL 8003	1000	3
D3D20F000ZG-VBL	1570452	Steel / Zamak	Light Bronzed	1000	3
D3D20F000ZG-AEL	1570613	Steel / Zamak	Brassed	120	3
D3D20F000ZG-VDO	1570450	Steel / Zamak	Matt gold	1000	3

Accessories



- BA
Page 9.57

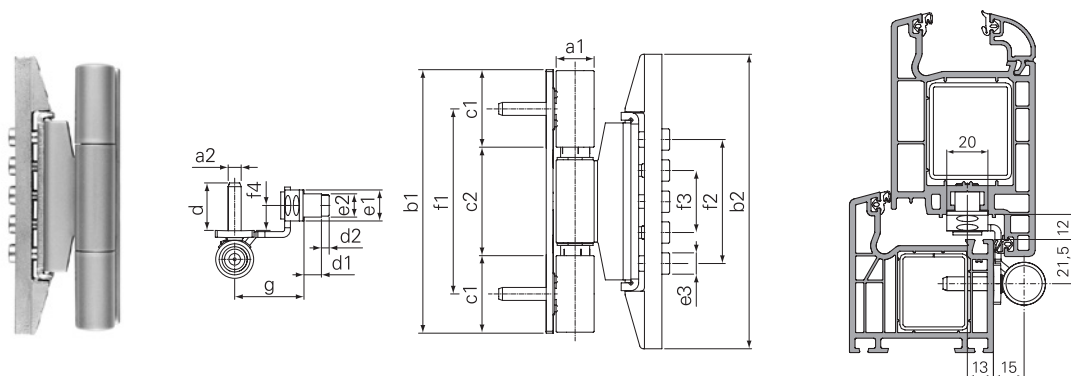


- BPG
Page 9.67



- HSS
Page 9.67

Dynamic 3D Ø 20 - Hinge for 20mm groove position 13 mm on PVC-U



Technical information

a1 mm	a2 mm	b1 mm	b2 mm	c1 mm	c2 mm	d mm	d1 mm	d2 mm	e1 mm	e2 mm	e3 mm	f1 mm	f2 mm	f3 mm	f4 mm	g mm
20.0	6.7	136.0	152.0	39.5	56.0	25.0	9.0	4.0	20.0	12.0	10.7	95.5	64.0	32.0	13.0	35.0

Application

- For PVC-U entrance doors
- Load capacity with 2 hinges 160 kg
- Adjustable +/-4mm in height, +/-3mm horizontal and +/-2mm gasket pressure



Product / Application	art. No	Material	Surface	Salt spray test hour	Packaging
D3D20F001BS	1422307	Steel / Zamak	Traffic White RAL 9016	1000	3
D3D20F001PP	1430562	Steel / Zamak	Pearl White RAL 1013	1000	3
D3D20F001PMT	1430561	Steel / Zamak	Clay Brown RAL 8003	1000	3
D3D20F001NM	1422326	Steel / Zamak	Black Brown RAL 8022	1000	3
D3D20F001GAM	1422327	Steel / Zamak	Painted silver grey	1000	3
D3D20F001ZG-AEL	1570449	Steel / Zamak	Brassed	120	3

Accessories



- BA
Page 9.57



- BPG
Page 9.67

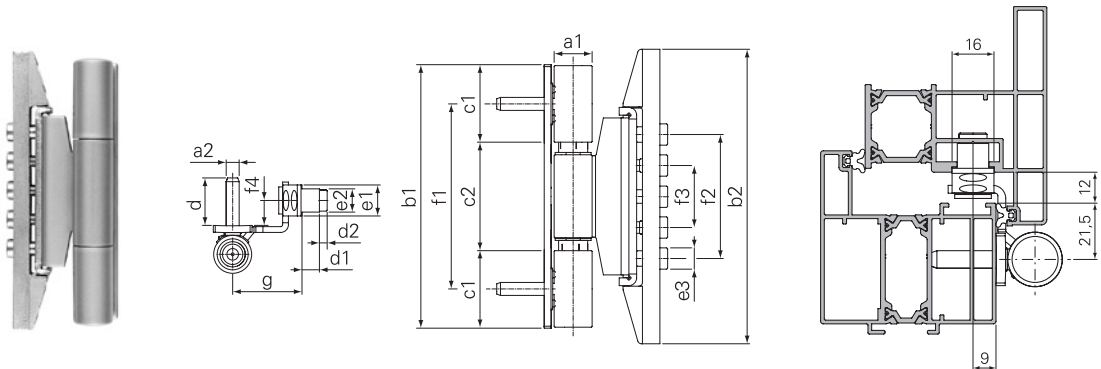


- HSS
Page 9.67

D3D-20-003

Dynamic 3D Ø 20 - Hinge for 9 mm Eurogroove position on Aluminium

2



Technical information

a1 mm	a2 mm	b1 mm	b2 mm	c1 mm	c2 mm	d mm	d1 mm	d2 mm	e1 mm	e2 mm	e3 mm	f1 mm	f2 mm	f3 mm	f4 mm	g mm
20.0	6.7	136.0	152.0	39.5	56.0	25.0	9.0	4.0	16.0	12.0	10.7	95.5	64.0	32.0	9.0	35.0

Application

- For Aluminium entrance doors
- Load capacity with 2 hinges 160 kg
- Adjustable +/-4mm in height, +/-3mm horizontal and +/-2mm gasket pressure



Product / Application	art. No	Material	Surface	Salt spray test hour	Packaging
D3D20F003BS	1484376	Steel / Zamak	Traffic White RAL 9016	1000	3
D3D20F003NM	1484377	Steel / Zamak	Black Brown RAL 8022	1000	3
D3D20F003GAM	1484394	Steel / Zamak	Painted silver grey	1000	3
D3D20F003ZG-AEL	1570454	Steel / Zamak	Brassed	120	3

Accessories



- BA
Page 9.57

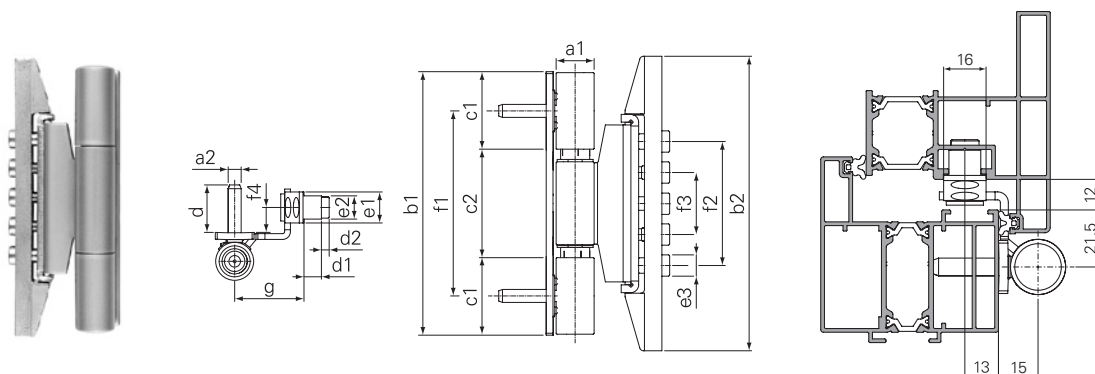


- BPG
Page 9.67



- HSS
Page 9.67

Dynamic 3D Ø 20 - Hinge for 13 mm Eurogroove position on Aluminium



Technical information

a1 mm	a2 mm	b1 mm	b2 mm	c1 mm	c2 mm	d mm	d1 mm	d2 mm	e1 mm	e2 mm	e3 mm	f1 mm	f2 mm	f3 mm	f4 mm	g mm
20.0	6.7	136.0	152.0	39.5	56.0	25.0	9.0	4.0	16.0	12.0	10.7	95.5	64.0	32.0	13.0	35.0

Application

- For Aluminium entrance doors
- Load capacity with 2 hinges 160 kg
- Adjustable +/-4mm in height, +/-3mm horizontal and +/-2mm gasket pressure



Product / Application	art. No	Material	Surface	Salt spray test hour	Packaging
D3D20F000GAM	1418830	Steel / Zamak	Painted silver grey	1000	3
D3D20F000BS	1418380	Steel / Zamak	Traffic White RAL 9016	1000	3
D3D20F000NM	1418829	Steel / Zamak	Black Brown RAL 8022	1000	3
D3D20F000PP	1430482	Steel / Zamak	Pearl White RAL 1013	1000	3
D3D20F000PMT	1430481	Steel / Zamak	Clay Brown RAL 8003	1000	3
D3D20F000ZG-VBL	1570452	Steel / Zamak	Light Bronzed	1000	3
D3D20F000ZG-AEL	1570613	Steel / Zamak	Brassed	120	3
D3D20F000ZG-VDO	1570450	Steel / Zamak	Matt gold	1000	3

Accessories



- BA
Page 9.57



- BPG
Page 9.67

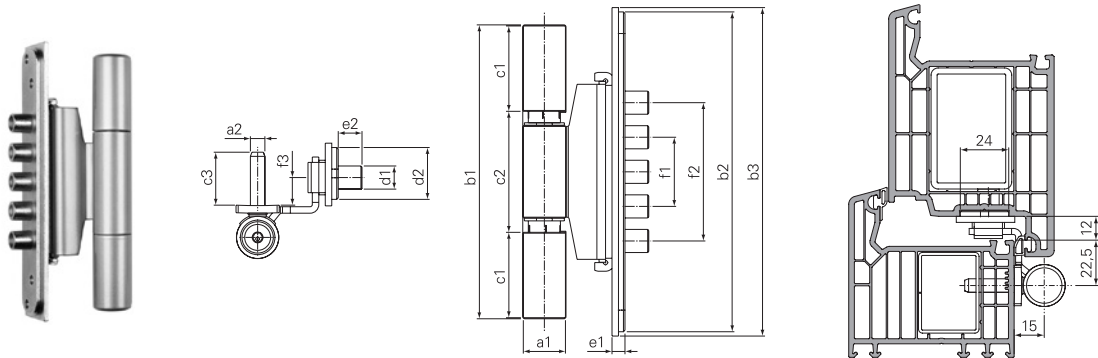


- HSS
Page 9.67

D3D-20-004

Dynamic 3D Ø 20 - Hinge for 24mm groove Veka

2



Technical information

a1 mm	a2 mm	b1 mm	b2 mm	b3 mm	c1 mm	c2 mm	c3 mm	d1 mm	d2 mm	e1 mm	e2 mm	f1 mm	f2 mm	f3 mm	
20.0	6.7	136.0	148.0	152.0	39.5	56.0	25.0	10.7	24.0	6.0	11.0	32.0	64.0	13.0	

Application

- For PVC-U entrance doors
- Load capacity with 2 hinges 160 kg
- Adjustable +/-4mm in height, +/-3mm horizontal and +/-2mm gasket pressure



Product / Application	art. No	Material	Surface	Salt spray test hour	Packaging
D3D20F004BS	1492445	Steel / Zamak	Traffic White RAL 9016	1000	3
D3D20F004PP	1513173	Steel / Zamak	Pearl White RAL 1013	1000	3
D3D20F004PMT	1513174	Steel / Zamak	Clay Brown RAL 8003	1000	3
D3D20F004NM	1511761	Steel / Zamak	Black Brown RAL 8022	1000	3
D3D20F004GAM	1492446	Steel / Zamak	Painted silver grey	1000	3
D3D20F004ZG-AEL	1570453	Steel / Zamak	Brassed	120	3

Accessories



- BA
Page 9.56

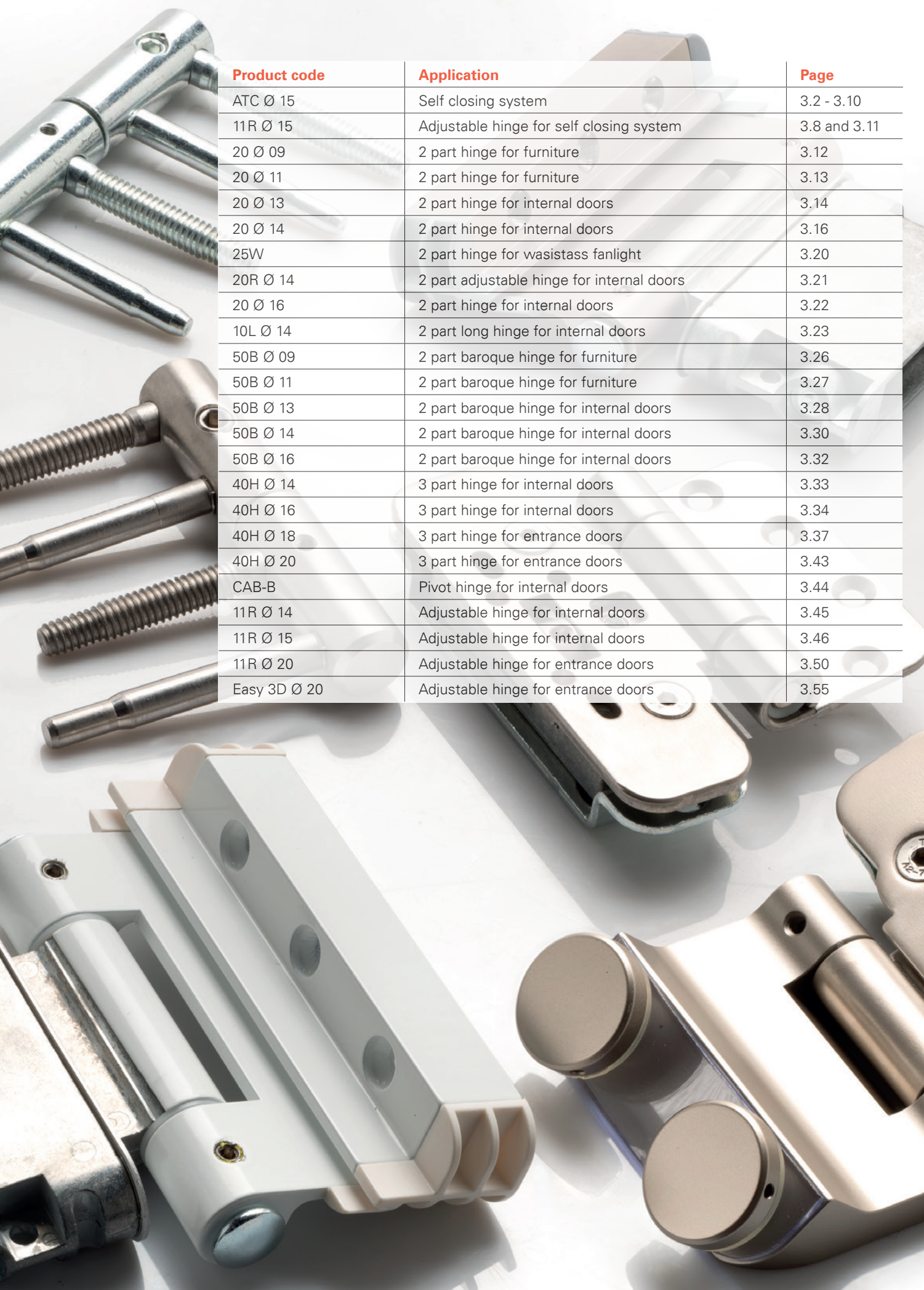


- BPG
Page 9.67



- HSS
Page 9.67

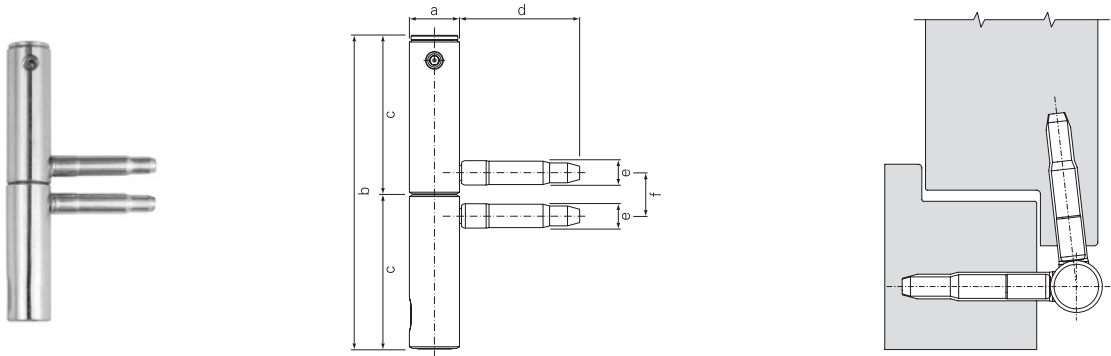
Hinges for timber doors and windows rebated application



Product code	Application	Page
ATC Ø 15	Self closing system	3.2 - 3.10
11R Ø 15	Adjustable hinge for self closing system	3.8 and 3.11
20 Ø 09	2 part hinge for furniture	3.12
20 Ø 11	2 part hinge for furniture	3.13
20 Ø 13	2 part hinge for internal doors	3.14
20 Ø 14	2 part hinge for internal doors	3.16
25W	2 part hinge for wasistass fanlight	3.20
20R Ø 14	2 part adjustable hinge for internal doors	3.21
20 Ø 16	2 part hinge for internal doors	3.22
10L Ø 14	2 part long hinge for internal doors	3.23
50B Ø 09	2 part baroque hinge for furniture	3.26
50B Ø 11	2 part baroque hinge for furniture	3.27
50B Ø 13	2 part baroque hinge for internal doors	3.28
50B Ø 14	2 part baroque hinge for internal doors	3.30
50B Ø 16	2 part baroque hinge for internal doors	3.32
40H Ø 14	3 part hinge for internal doors	3.33
40H Ø 16	3 part hinge for internal doors	3.34
40H Ø 18	3 part hinge for entrance doors	3.37
40H Ø 20	3 part hinge for entrance doors	3.43
CAB-B	Pivot hinge for internal doors	3.44
11R Ø 14	Adjustable hinge for internal doors	3.45
11R Ø 15	Adjustable hinge for internal doors	3.46
11R Ø 20	Adjustable hinge for entrance doors	3.50
Easy 3D Ø 20	Adjustable hinge for entrance doors	3.55

ATC-15-058

ATC - Self closing mechanism left hand



3

Technical information

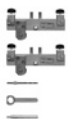
a mm	b mm	c mm	d mm	e mm	f mm	
15.0	95.0	47.0	36.0	7.0	13.0	

Application

- For rebated doors

Product / Application	art. No	Material	Surface	Salt spray test hour	Packaging
ATC15F058SZS	1632528	Steel	Zinc GSS	640	10

Accessories



- BBOX
Page 9.58



- 180B Ø 15
Page 9.25



- 180T Ø 15
Page 9.21

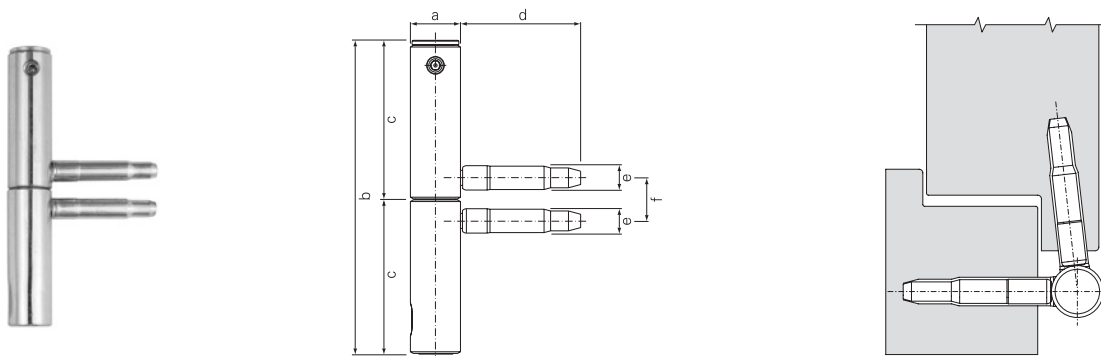


- 180 Ø 15
Page 9.13



- 180 Ø 15
Page 9.11

ATC - Self closing mechanism right hand



Technical information

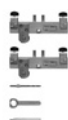
a mm	b mm	c mm	d mm	e mm	f mm	
15.0	95.0	47.0	36.0	7.0	13.0	

Application

- For rebated doors

Product / Application	art. No	Material	Surface	Salt spray test hour	Packaging
ATC15F059SZS	1632541	Steel	Zinc GSS	640	10

Accessories



- BBOX
Page 9.58



- 180B Ø 15
Page 9.25



- 180T Ø 15
Page 9.21



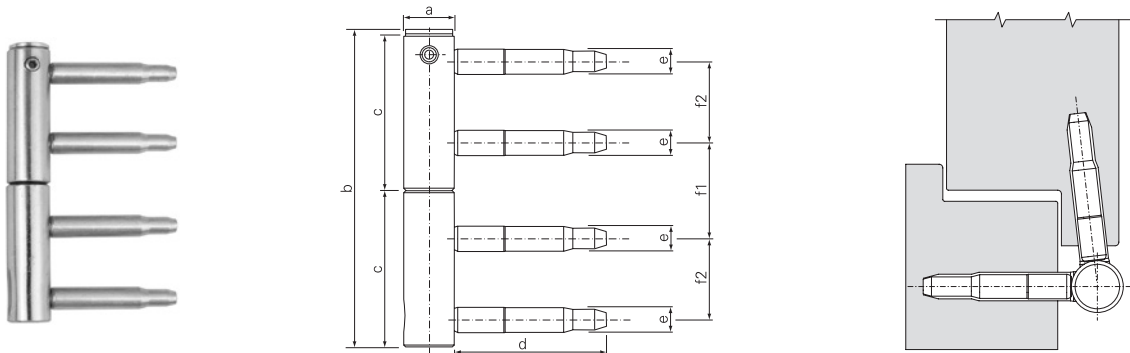
- 180 Ø 15
Page 9.13



- 180 Ø 15
Page 9.11

ATC-15-056

ATC - Self closing mechanism left hand



Technical information

a mm	b mm	c mm	d mm	e mm	f1 mm	f2 mm	
15.0	95.0	47.0	45.0	7.6	28.0	24.0	

Application

- For rebated doors

Product / Application	art. No	Material	Surface	Salt spray test hour	Packaging
ATC15F056SZS	1627705	Steel	Zinc GSS	640	10

Accessories



- BBOX
Page 9.62



- 180B Ø 15
Page 9.25



- 180T Ø 15
Page 9.21

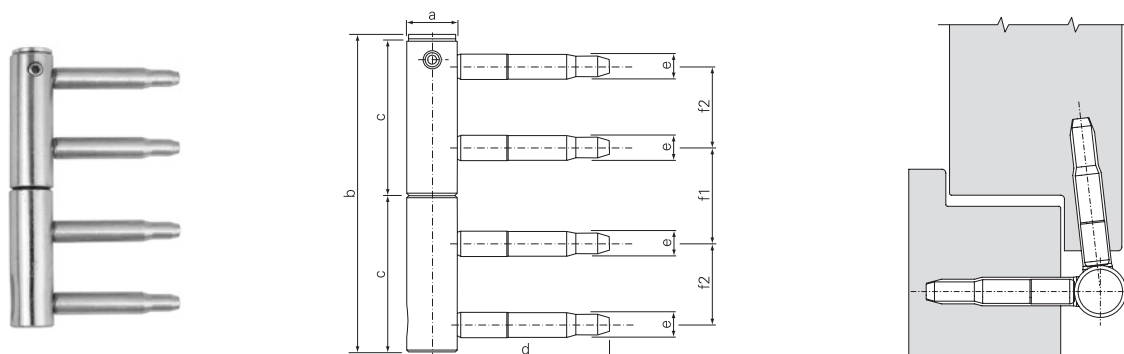


- 180 Ø 15
Page 9.13



- 180 Ø 15
Page 9.11

ATC - Self closing mechanism right hand



Technical information

a mm	b mm	c mm	d mm	e mm	f1 mm	f2 mm	
15.0	95.0	47.0	45.0	7.6	28.0	24.0	

Application

- For rebated doors

Product / Application	art. No	Material	Surface	Salt spray test hour	Packaging
ATC15F057SZS	1627707	Steel	Zinc GSS	640	10

Accessories



- BBOX
Page 9.62



- 180B Ø 15
Page 9.25



- 180T Ø 15
Page 9.21



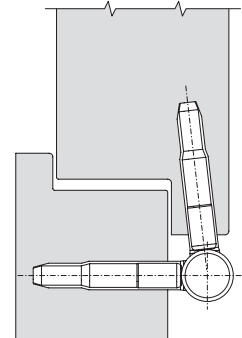
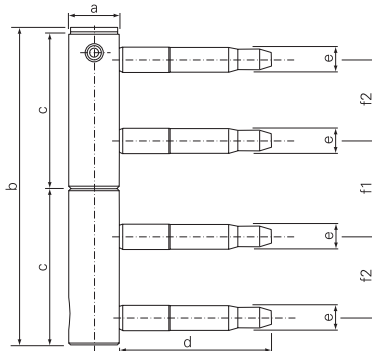
- 180 Ø 15
Page 9.13



- 180 Ø 15
Page 9.11

ATC-15-054

ATC - Self closing mechanism left hand



3

Technical information

a mm	b mm	c mm	d mm	e mm	f1 mm	f2 mm	
15.0	95.0	47.0	60.0	7.6	28.0	24.0	

Application

- For rebated doors

Product / Application	art. No	Material	Surface	Salt spray test hour	Packaging
ATC15F054SZS	1627055	Steel	Zinc GSS	640	10

Accessories



- BBOX
Page 9.62



- 180B Ø 15
Page 9.25



- 180T Ø 15
Page 9.21

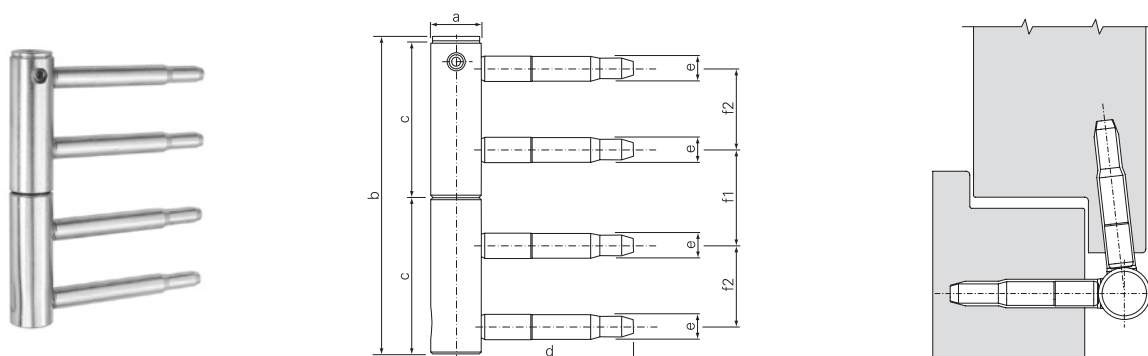


- 180 Ø 15
Page 9.13



- 180 Ø 15
Page 9.11

ATC - Self closing mechanism right hand



Technical information

a mm	b mm	c mm	d mm	e mm	f1 mm	f2 mm	
15.0	95.0	47.0	60.0	7.6	28.0	24.0	

Application

- For rebated doors

Product / Application	art. No	Material	Surface	Salt spray test hour	Packaging
ATC15F055SZS	1627061	Steel	Zinc GSS	640	10

Accessories



- BBOX
Page 9.62



- 180B Ø 15
Page 9.25



- 180T Ø 15
Page 9.21



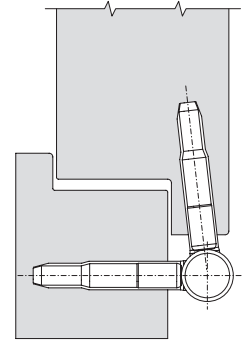
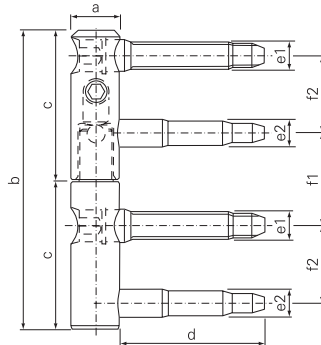
- 180 Ø 15
Page 9.13



- 180 Ø 15
Page 9.11

11R-15-023

11R Ø 15 - Adjustable hinge for self closing system



3

Technical information

a mm	b mm	c mm	d mm	e1 mm	e2 mm	f1 mm	f2 mm
15.0	92.0	46.0	60.0	8.7	7.6	28.0	24.0

Application

- For rebated doors
- Load capacity with 2 hinges 100 kg
- Adjustable 0/+3mm in height, +/-3mm horizontal and gasket pressure

Product / Application	art. No	Material	Surface	Salt spray test hour	Packaging
11R15F023SZS	768694	Steel	Zinc GSS	640	10

Accessories



- BBOX
Page 9.62



- 180B Ø 15
Page 9.25



- 180T Ø 15
Page 9.21

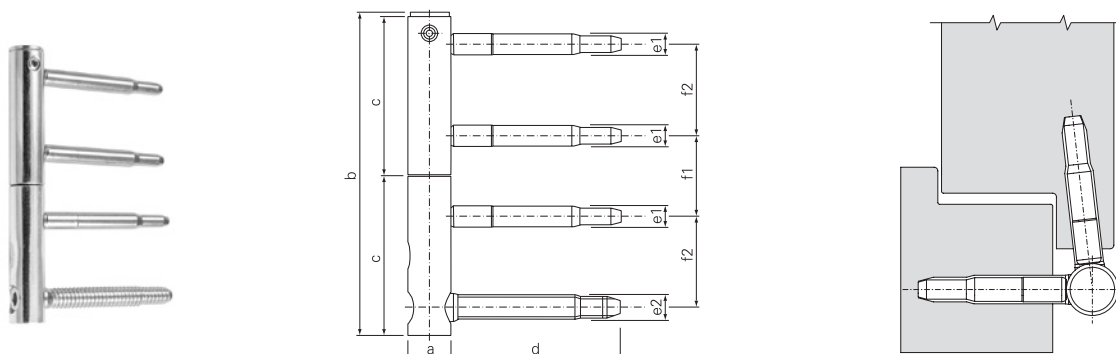


- 180 Ø 15
Page 9.13



- 180 Ø 15
Page 9.11

ATC - Self closing mechanism left hand



Technical information

a mm	b mm	c mm	d mm	e1 mm	e2 mm	f1 mm	f2 mm	
15.0	112.0	56.0	60.0	7.6	8.7	29.0	32.0	

Application

- For rebated doors

Product / Application	art. No	Material	Surface	Salt spray test hour	Packaging
ATC15F050SZS	1618841	Steel	Zinc GSS	640	10

Accessories



- BBOX
Page 9.62



- 180B Ø 15
Page 9.26



- 180T Ø 15
Page 9.22



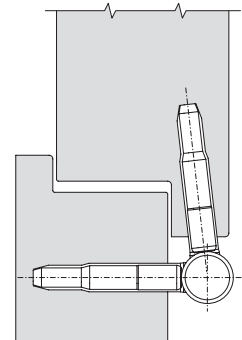
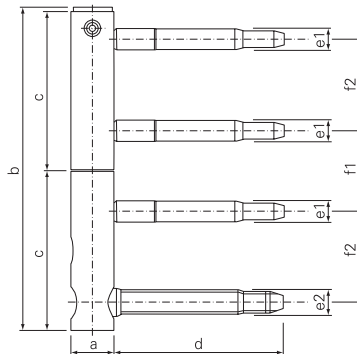
- 180 Ø 15
Page 9.14



- 180 Ø 15
Page 9.12

ATC-15-051

ATC - Self closing mechanism right hand



3

Technical information

a mm	b mm	c mm	d mm	e1 mm	e2 mm	f1 mm	f2 mm	
15.0	112.0	56.0	60.0	7.6	8.7	29.0	32.0	

Application

- For rebated doors

Product / Application	art. No	Material	Surface	Salt spray test hour	Packaging
ATC15F051SZS	1618848	Steel	Zinc GSS	640	10

Accessories



- BBOX
Page 9.62



- 180B Ø 15
Page 9.26



- 180T Ø 15
Page 9.22

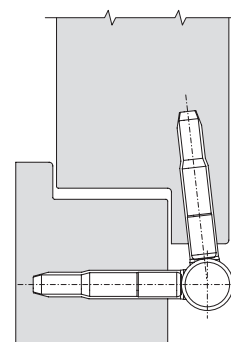
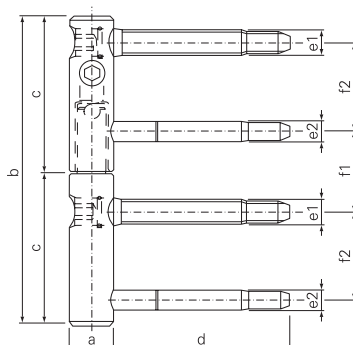


- 180 Ø 15
Page 9.14



- 180 Ø 15
Page 9.12

11R Ø 15 - Adjustable hinge for self closing system



Technical information

a mm	b mm	c mm	d mm	e1 mm	e2 mm	f1 mm	f2 mm
15.0	112.0	56.0	60.0	8.7	7.6	29.0	32.0

Application

- For rebated doors
- Load capacity with 2 hinges 100 kg
- Adjustable 0/+3mm in height, +/-3mm horizontal and gasket pressure

Product / Application	art. No	Material	Surface	Salt spray test hour	Packaging
11R15F042SZS	1063814	Steel	Zinc GSS	640	12

Accessories



- BBOX
Page 9.62



- 180B Ø 15
Page 9.26



- 180T Ø 15
Page 9.22



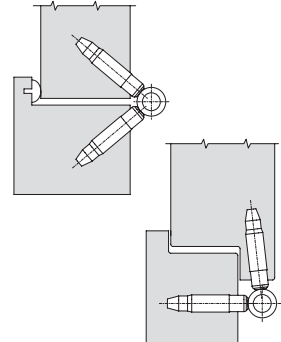
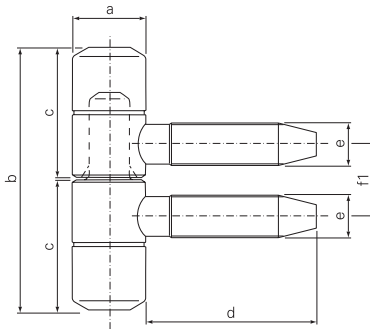
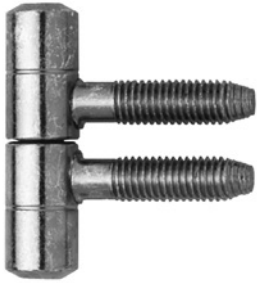
- 180 Ø 15
Page 9.14



- 180 Ø 15
Page 9.12

20-09-000

20 Ø 09 - 2 part hinge for furniture



3

Technical information

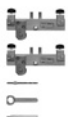
a mm	b mm	c mm	d mm	e mm	f1 mm	
9.0	37.0	18.5	23.0	5.6	9.9	

Application

- For furniture
- Load capacity with 2 hinges 6 kg

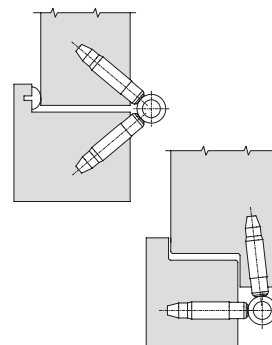
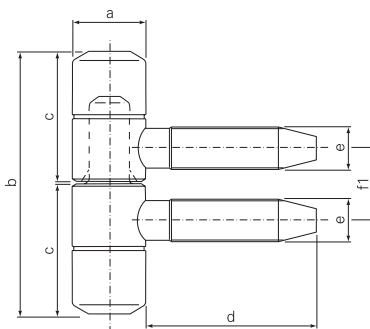
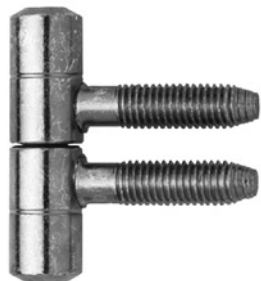
Product / Application	art. No	Material	Surface	Salt spray test hour	Packaging
2009E000SK	21688	Steel	Bronzed	3	150
2009E000SM	21689	Steel	Brassed	4	150

Accessories



- BBOX
Page 9.58

20 Ø 11 - 2 part hinge for furniture



Technical information

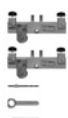
a mm	b mm	c mm	d mm	e mm	f mm
11.0	40.0	20.0	26.0	6.6	10.9

Application

- For furniture
- Load capacity with 2 hinges 8 kg

Product / Application	art. No	Material	Surface	Salt spray test hour	Packaging
2011E000SK	21708	Steel	Bronzed	3	100
2011E000SC	21706	Steel	Chromated	20	100
2011E000RS	956969	Steel	Matt chromated	2	100
2011E000SM	21710	Steel	Brassed	4	100

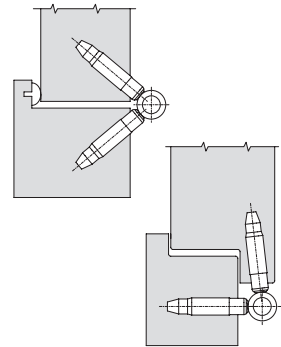
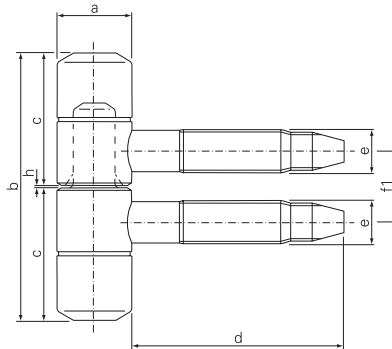
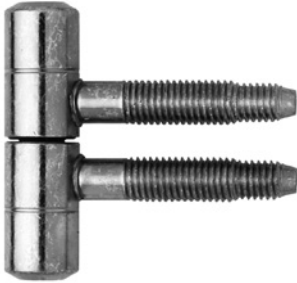
Accessories



- BBOX
Page 9.58

20-13-000

20 Ø 13 - 2 part hinge for internal doors



3

Technical information

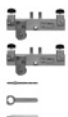
a mm	b mm	c mm	d mm	e mm	f1 mm	h mm	
13.0	45.4	22.5	36.0	7.7	12.6	0.4	

Application

- For timber doors and windows
- Load capacity with 2 hinges 40 kg

Product / Application	art. No	Material	Surface	Salt spray test hour	Packaging
2013F000PA	1041945	Steel	White RAL 9010	1000	50
2013A000SK	2273	Steel	Bronzed	3	100
2013A000SC	21734	Steel	Chromated	20	100
2013A000RS	1247252	Steel	Brushed Matt Chrome	2	100
2013A000SN	21735	Steel	Nickel	20	100
2013A000SM	21488	Steel	Brassed	4	100
2013F000MPN	20195	Steel	Black RAL 9005 Matt	1000	50
2013A000SZ	9073	Steel	Zinc	120	100

Accessories



- BBOX
Page 9.58

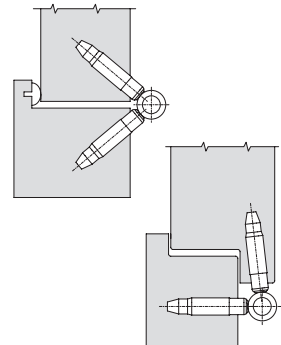
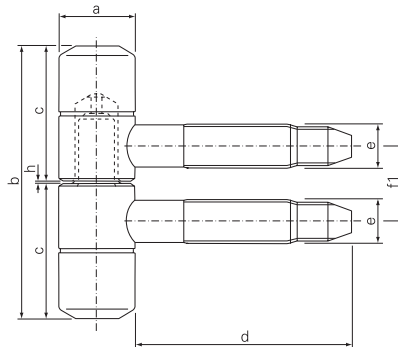
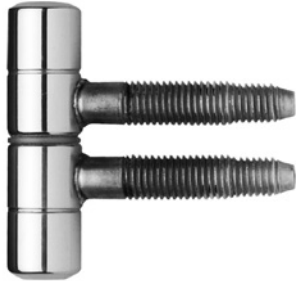


- 180T Ø 13
Page 9.18



- 180 Ø 13
Page 9.5

20 Ø 13 - 2 part brass hinge with self lubricating pin for internal doors



Technical information

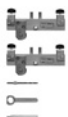
a mm	b mm	c mm	d mm	e mm	f1 mm	h mm	
13.0	46.0	22.5	36.0	7.7	12.6	1.0	

Application

- For timber doors and windows
- Load capacity with 2 hinges 40 kg

Product / Application	art. No	Material	Surface	Salt spray test hour	Packaging
2013F001EV	1272363	Brass	Bright Brass	20	50

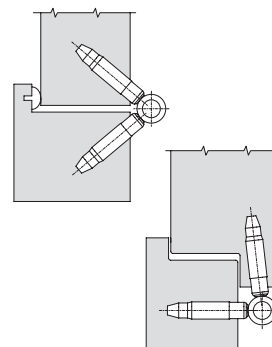
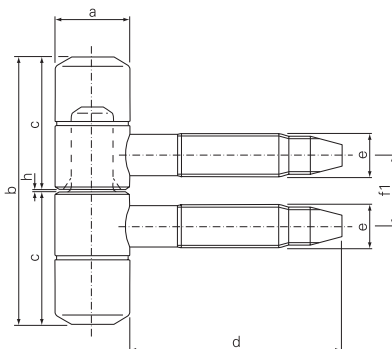
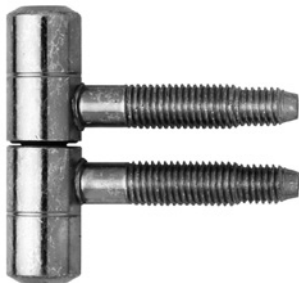
Accessories



- BBOX
Page 9.58

20-14-000

20 Ø 14 - 2 part hinge for internal doors



3

Technical information

a mm	b mm	c mm	d mm	e mm	f1 mm	h mm	
14.0	50.4	25.0	40.0	8.2	13.6	0.4	

Application

- For timber doors and windows
- Load capacity with 2 hinges 45 kg

Product / Application	art. No	Material	Surface	Salt spray test hour	Packaging
2014A000SK	2279	Steel	Bronzed	3	200
2014A000SC	9121	Steel	Chromated	20	200
2014A000RS	21804	Steel	Brushed Matt Chrome	2	200
2014A000SN	21786	Steel	Nickel	20	200
2014F000PA	472343	Steel	White RAL 9010	1000	50
2014F000MPN	20193	Steel	Black RAL 9005 Matt	1000	50
2014A000SZ	9125	Steel	Zinc	120	200

Accessories



- BBOX
Page 9.58

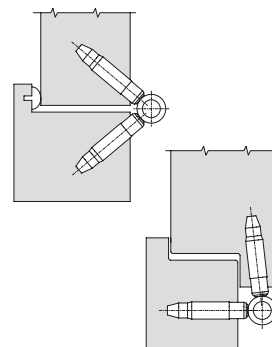
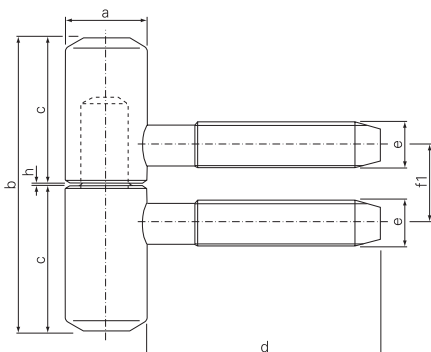
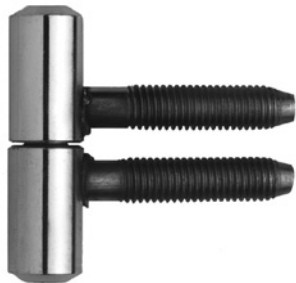


- 180 Ø 14
Page 9.6



- 180T Ø 14
Page 9.19

20 Ø 14 - Stainless steel hinge



Technical information

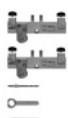
a mm	b mm	c mm	d mm	e mm	f1 mm	h mm	
14.0	50.4	25.0	40.0	8.2	13.6	0.4	

Application

- For timber doors and windows
- Load capacity with 2 hinges 45 kg

Product / Application	art. No	Material	Surface	Salt spray test hour	Packaging
2014F005XL	1272644	Stainless steel	Bright Stainless Steel		50
2014F005XS	1110730	Stainless steel	Matt Stainless Steel		50

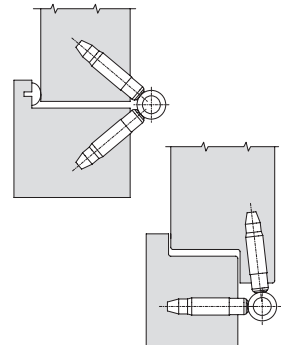
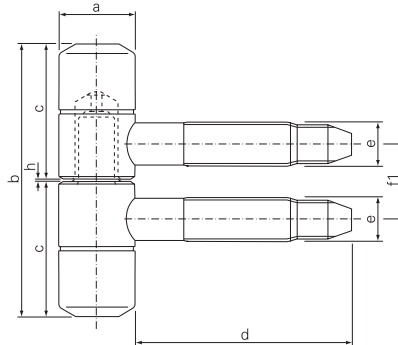
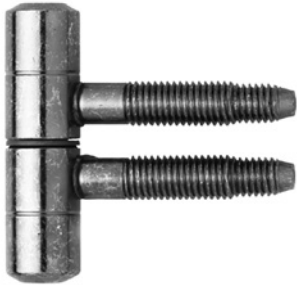
Accessories



- BBOX
Page 9.58

20-14-032

20 Ø 14 - Two part hinge with self lubricating pin



3

Technical information

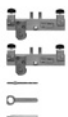
a mm	b mm	c mm	d mm	e mm	f1 mm	h mm	
14.0	51.0	25.0	40.0	8.2	13.6	1.0	

Application

- For timber doors and windows
- Load capacity with 2 hinges 45 kg

Product / Application	art. No	Material	Surface	Salt spray test hour	Packaging
2014A032SK	1272333	Steel	Bronzed	3	200
2014A032SZ	745433	Steel	Zinc	120	200
2014A032ZG	1568733	Steel	Yellow Zinc	160	200
2014A032SZ	745433	Steel	Zinc	120	200

Accessories



- BBOX
Page 9.58

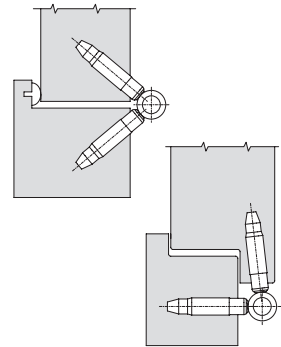
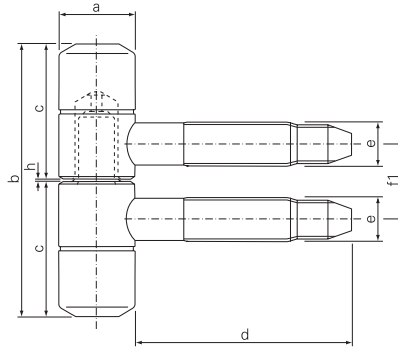
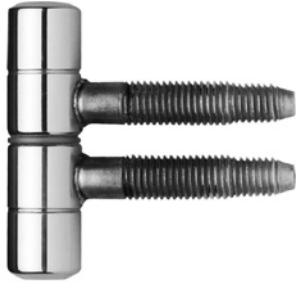


- 180 Ø 14
Page 9.6



- 180T Ø 14
Page 9.19

20 Ø 14 - 2 part brass hinge with self lubricating pin for internal doors



Technical information

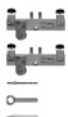
a mm	b mm	c mm	d mm	e mm	f1 mm	h mm	
14.0	51.0	25.0	40.0	8.2	13.6	1.0	

Application

- For timber doors and windows
- Load capacity with 2 hinges 45 kg

Product / Application	art. No	Material	Surface	Salt spray test hour	Packaging
2014F001EV	845024	Brass	Bright Brass	20	50

Accessories

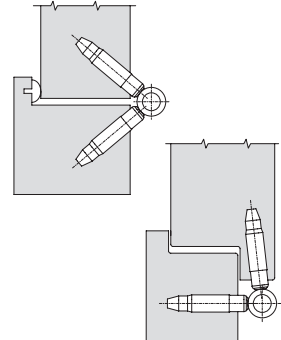
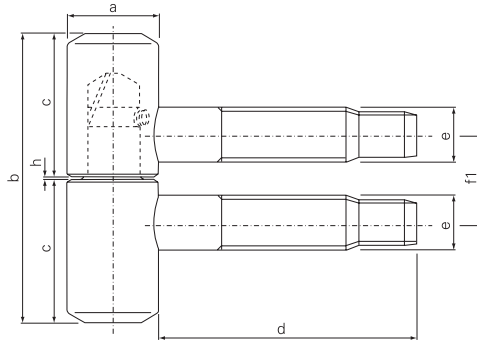
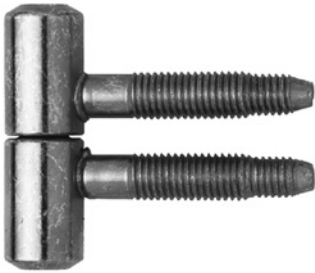


- BBOX
Page 9.58



25W-14-000

25W - 2 parts Wasistass hinge for fanlight (Frame part with self lubricating bush)



3

Technical information

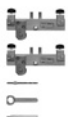
a mm	b mm	c mm	d mm	e mm	f1 mm	h mm	
14.0	45.4	22.5	40.0	8.2	13.6	0.4	

Application

- For timber windows
- Load capacity with 2 hinges 45 kg
- Anti-slip - Friction

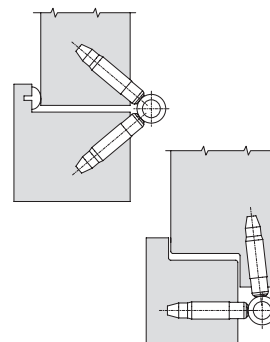
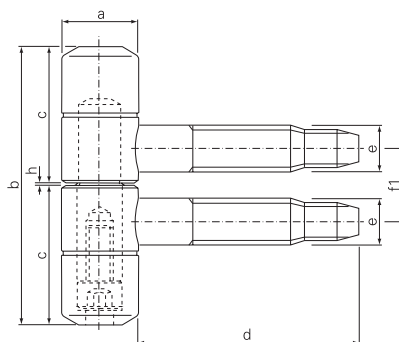
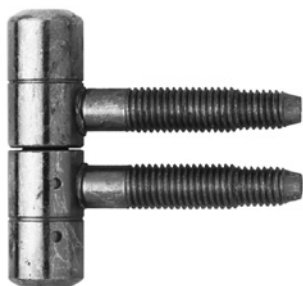
Product / Application	art. No	Material	Surface	Salt spray test hour	Packaging
25W14E000SK	21974	Steel	Bronzed	3	50
25W14E000SZ	720473	Steel	Zinc	120	50

Accessories



- BBOX
Page 9.58

20R Ø 14 - 2 parts hinge adjustable in height for internal doors



Technical information

a	b mm	c mm	d mm	e mm	f1 mm	h mm	
14.0	50.3	25.0	40.0	8.2	13.6	0.3	

Application

- For timber doors and windows
- Adjustable in height till 3mm

Product / Application	art. No	Material	Surface	Salt spray test hour	Packaging
20R14A000SZ	748498	Steel	Zinc	120	200

Accessories



- BBOX
Page 9.58



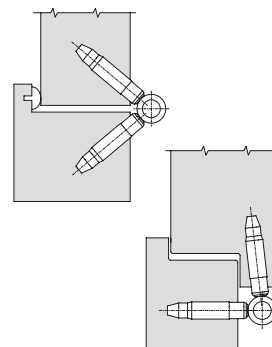
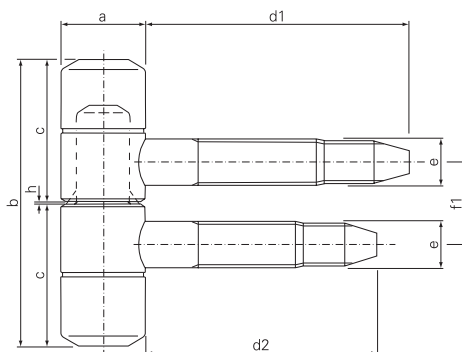
- 180 Ø 14
Page 9.6



- 180T Ø 14
Page 9.19

20-16-000

20 Ø 16 - 2 part hinge for internal doors



3

Technical information

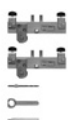
a mm	b mm	c mm	d1 mm	d2 mm	e mm	f1 mm	h mm	
16.0	54.4	27.0	50.0	44.0	8.7	15.6	0.4	

Application

- For timber doors and windows
- Load capacity with 2 hinges 60 kg

Product / Application	art. No	Material	Surface	Salt spray test hour	Packaging
2016A000SK	20753	Steel	Bronzed	3	100
2016A000SC	9485	Steel	Chromated	20	100
2016E000RS	929720	Steel	Brushed Matt Chrome	2	50
2016A000SM	20754	Steel	Brassed	4	100
2016F000MPN	20191	Steel	Black RAL 9005 Matt	1000	50
2016A000SZ	9487	Steel	Zinc	120	100

Accessories

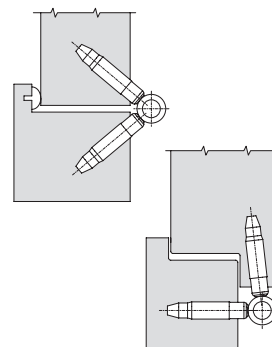
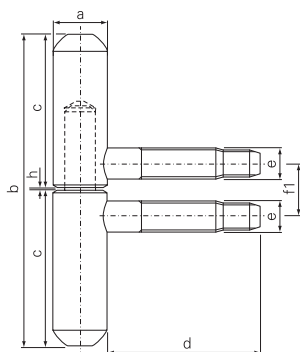
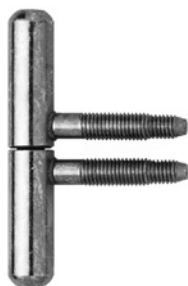


- BBOX
Page 9.58



- 180 Ø 16
Page 9.15

10L Ø 14 - 2 parts long hinge for internal doors



Technical information

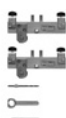
a mm	b mm	c mm	d mm	e mm	f1 mm	h mm	
14.0	82.4	41.0	40.0	8.2	13.6	0.4	

Application

- For timber doors and windows
- Load capacity with 2 hinges 45 kg

Product / Application	art. No	Material	Surface	Salt spray test hour	Packaging
10L14E006SK	20613	Steel	Bronzed	3	50
10L14E006RS	628550	Steel	Brushed Matt Chrome	2	50
10L14E006SM	20614	Steel	Brassed	4	50
10L14F006PA	429726	Steel	White RAL 9010	1000	50
10L14F006MPN	806246	Steel	Black RAL 9005 Matt	1000	50
10L14E006SZ	709899	Steel	Zinc	120	50

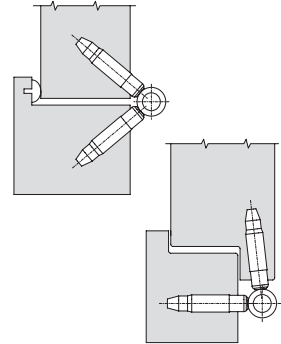
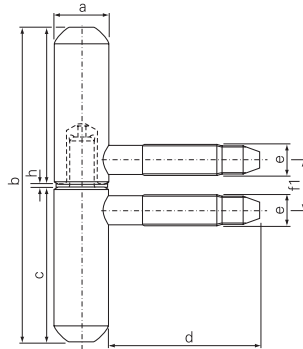
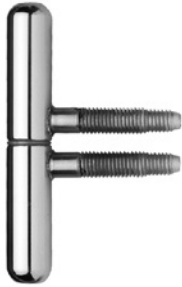
Accessories



- BBOX
Page 9.58

10L-14-002

10L Ø 14 - 2 part brass hinge with self lubricating pin for internal doors



3

Technical information

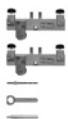
a mm	b mm	c mm	d mm	e mm	f1 mm	h mm	
14.0	85.0	42.0	40.0	8.2	13.6	1.0	

Application

- For timber doors and windows
- Load capacity with 2 hinges 45 kg

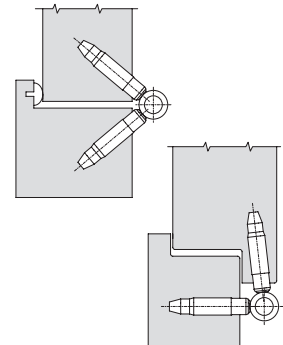
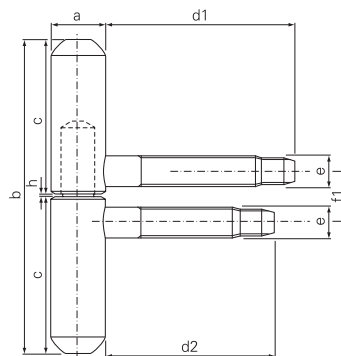
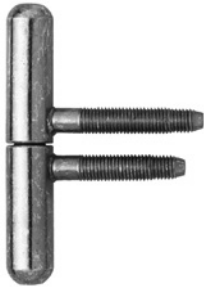
Product / Application	art. No	Material	Surface	Salt spray test hour	Packaging
10L14F002EV	847599	Brass	Bright Brass	20	20

Accessories



- BBOX
Page 9.58

10L Ø 16 - 2 parts long hinge for internal doors



Technical information

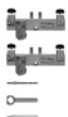
a mm	b mm	c mm	d1 mm	d2 mm	e mm	f1 mm	h mm	
16.0	92.4	46.0	50.0	44.0	8.7	15.6	0.4	

Application

- For timber doors and windows
- Load capacity with 2 hinges 60 kg

Product / Application	art. No	Material	Surface	Salt spray test hour	Packaging
10L16E004SK	496375	Steel	Bronzed	4	50

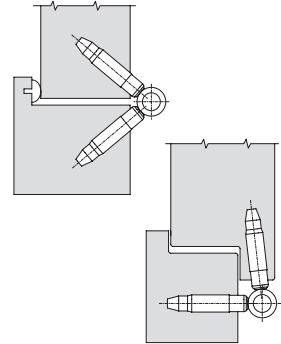
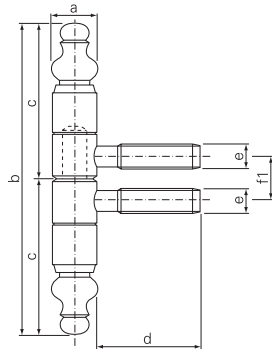
Accessories



- BBOX
Page 9.58

50B-09-000

50B Ø 09 - 2 parts Baroque hinge for furniture



3

Technical information

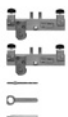
a mm	b mm	c mm	d mm	e mm	f1 mm	
9.0	66.0	33.0	23.0	5.6	9.9	

Application

- For furniture
- Load capacity with 2 hinges 6 kg

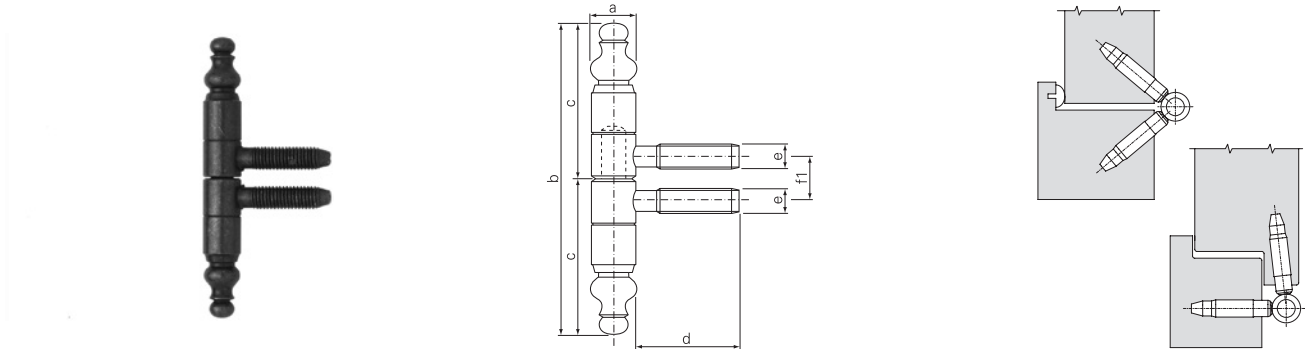
Product / Application	art. No	Material	Surface	Salt spray test hour	Packaging
50B09E000SM	22300	Steel	Brassed	4	100
50B09E000SK	22299	Steel	Bronzed	3	100

Accessories



- BBOX
Page 9.58

50B Ø 11 - 2 parts Baroque hinge for furniture



Technical information

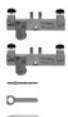
a mm	b mm	c mm	d mm	e mm	f1 mm	
11.0	80.0	40.0	26.0	6.6	10.9	

Application

- For furniture
- Load capacity with 2 hinges 8 kg

Product / Application	art. No	Material	Surface	Salt spray test hour	Packaging
50B11E000SK	22315	Steel	Bronzed	3	100
50B11E000SM	21555	Steel	Brassed	4	100

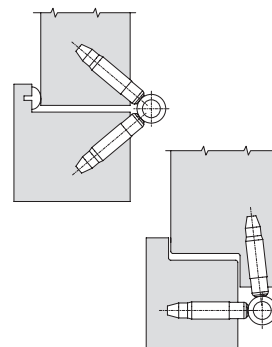
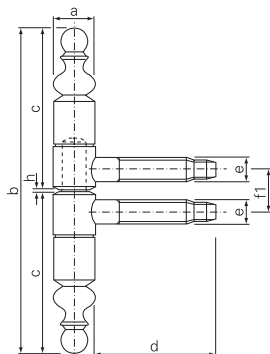
Accessories



- BBOX
Page 9.58

50B-13-000

50B Ø 13 - 2 parts Baroque hinge for furniture



3

Technical information

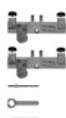
a mm	b mm	c mm	d mm	e mm	f1 mm	h mm	
13.0	88.4	44.0	36.0	7.7	12.6	0.4	

Application

- For timber doors and windows
- Load capacity with 2 hinges 40 kg

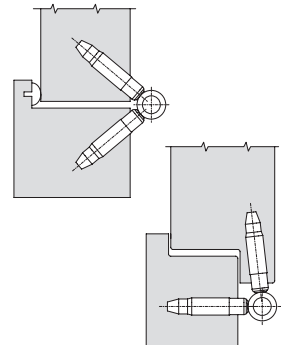
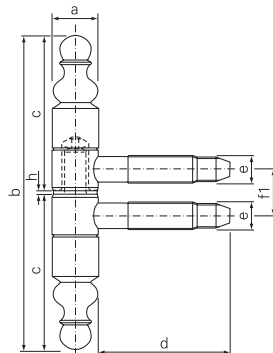
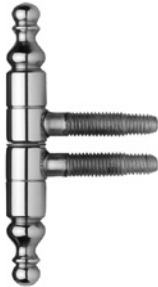
Product / Application	art. No	Material	Surface	Salt spray test hour	Packaging
50B13A000SK	21559	Steel	Bronzed	3	100
50B13A000SM	9973	Steel	Brassed	4	100

Accessories



- BBOX
Page 9.58

50B Ø 13 - 2 parts brass baroque hinge with self lubricating pin



Technical information

a mm	b mm	c mm	d mm	e mm	f1 mm	h mm	
13.0	89.0	44.0	36.0	7.7	12.6	1.0	

Application

- For timber doors and windows
- Load capacity with 2 hinges 40 kg

Product / Application	art. No	Material	Surface	Salt spray test hour	Packaging
50B13F001EV	1272364	Brass	Bright Brass	20	30

Accessories

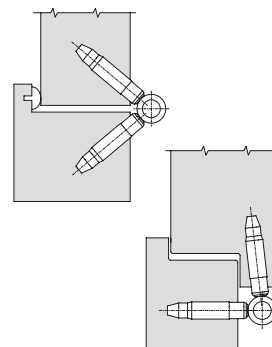
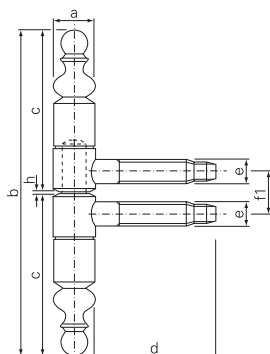


- BBOX
Page 9.58



50B-14-000

50B Ø 14 - 2 parts Baroque hinge for furniture



3

Technical information

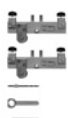
a mm	b mm	c mm	d mm	e mm	f1 mm	h mm	
14.0	94.4	47.0	40.0	8.2	13.6	0.4	

Application

- For timber doors and windows
- Load capacity with 2 hinges 45 kg

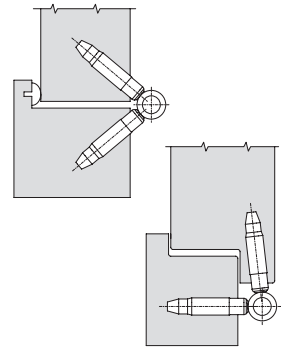
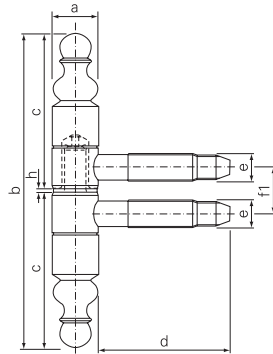
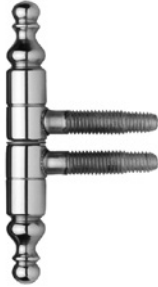
Product / Application	art. No	Material	Surface	Salt spray test hour	Packaging
50B14A000SK	1271977	Steel	Bronzed	3	100
50B14F000MR	22332	Steel	Old Hammered	100	30
50B14A000SM	2247	Steel	Brassed	4	100

Accessories



- BBOX
Page 9.58

50B Ø 14 - 2 parts brass baroque hinge with self lubricating pin



Technical information

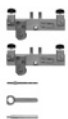
a mm	b mm	c mm	d mm	e mm	f1 mm	h mm	
14.0	95.0	47.0	40.0	8.2	13.6	1.0	

Application

- For timber doors and windows
- Load capacity with 2 hinges 45 kg

Product / Application	art. No	Material	Surface	Salt spray test hour	Packaging
50B14F001EV	845010	Brass	Bright Brass	20	30

Accessories

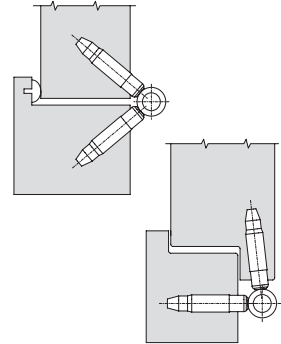
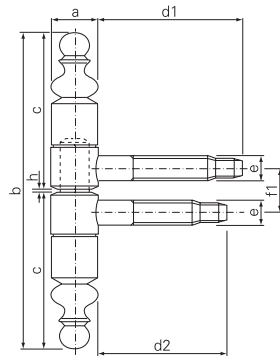
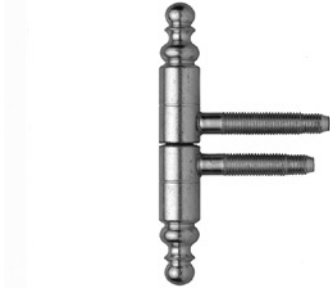


- BBOX
Page 9.58



50B-16-000

50B Ø 16 - 2 parts Baroque hinge for internal doors



3

Technical information

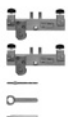
a mm	b mm	c mm	d1 mm	d2 mm	e mm	f1 mm	h mm	
16.0	108.4	54.0	50.0	44.0	8.7	15.6	0.4	

Application

- For timber doors and windows
- Load capacity with 2 hinges 60 kg

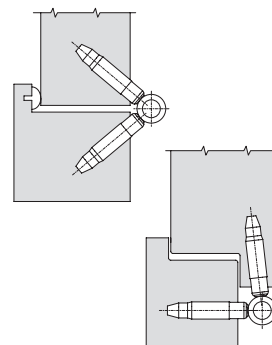
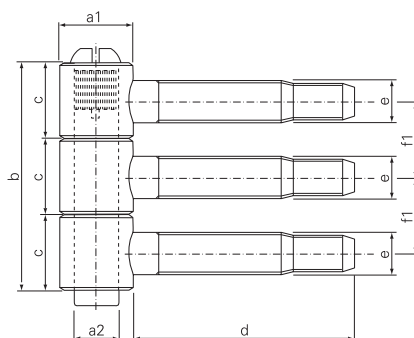
Product / Application	art. No	Material	Surface	Salt spray test hour	Packaging
50B16E000SK	22339	Steel	Bronzed	3	50
50B16F000MR	22344	Steel	Old Hammered	100	20
50B16E000SM	22340	Steel	Brassed	4	50

Accessories



- BBOX
Page 9.58

40H Ø 14 - 3 part hinge for internal doors



Technical information

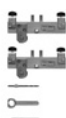
a1 mm	a2 mm	b mm	c mm	d mm	e mm	f1 mm	
14.0	8.0	41.1	13.7	40.0	8.2	13.7	

Application

- For timber doors and windows
- Load capacity with 2 hinges 25 kg

Product / Application	art. No	Material	Surface	Salt spray test hour	Packaging
40H14E000SK	1271986	Steel	Bronzed	3	50
40H14E000SM	22151	Steel	Brassed	4	50
40H14E000SZ	22152	Steel	Zinc	120	50

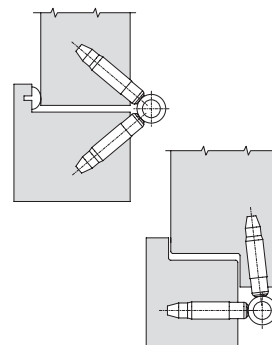
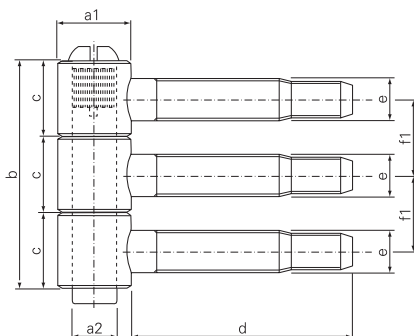
Accessories



- BBOX
Page 9.58

40H-16-000

40H Ø 16 - 3 part hinge for internal doors



3

Technical information

a1 mm	a2 mm	b mm	c mm	d mm	e mm	f1 mm	
16.0	8.0	46.5	15.5	50.0	8.7	15.5	

Application

- For timber doors and windows
- Load capacity with 2 hinges 30 kg

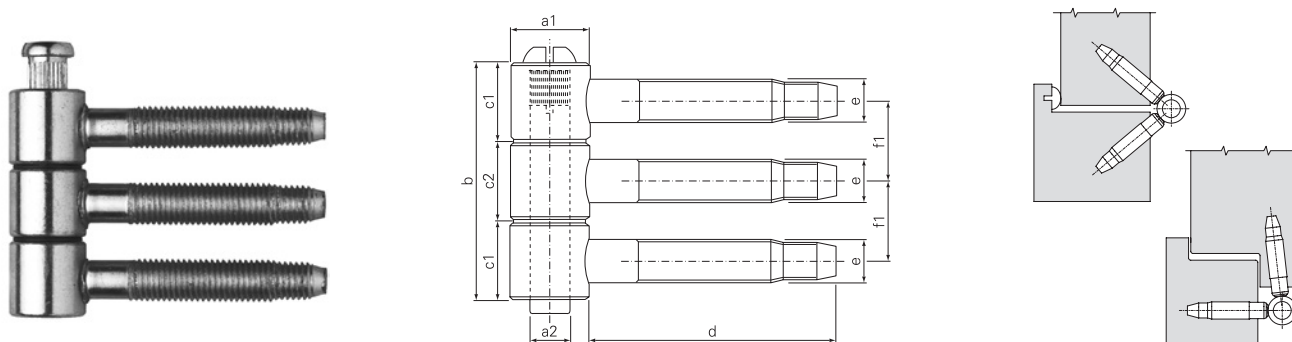
Product / Application	art. No	Material	Surface	Salt spray test hour	Packaging
40H16E000ZG	1570878	Steel	Zinc	120	50

Accessories



- BBOX
Page 9.59

40H Ø 16 - 3 part hinge with self lubricating bushes for entrance doors



Technical information

a1 mm	a2 mm	b mm	c1 mm	c2 mm	d mm	e mm	f mm	
16.0	8.0	46.7	15.5	15.7	50.0	8.7	15.6	

Application

- For timber doors and windows
- Load capacity with 2 hinges 60 kg

Product / Application	art. No	Material	Surface	Salt spray test hour	Packaging
40H16F021PA	1143670	Steel	White RAL 9010	1000	50
40H16E021SK	627715	Steel	Bronzed	3	50
40H16E021SCO	983958	Steel	Matt Chrome	48	50
40H16S021XS	1134958	Stainless steel	Matt Stainless Steel		50
40H16S021SN	895323	Steel	Nickel	20	50
40H16S021OA	1134956	Steel	Old bronzed	2	50
40H16S021SM	895322	Steel	Brassed	4	50
40H16S021SZ	711379	Steel	Zinc	120	50

Accessories

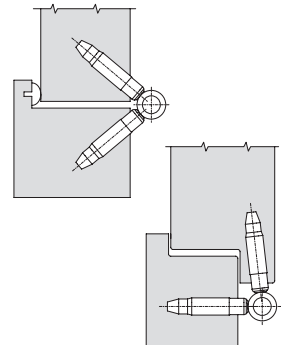
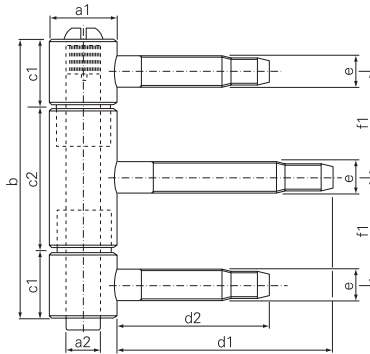


- BBOX
Page 9.59



40H-18-000

40H Ø 18 - 3 part hinge stainless steel with self lubricating bushes for entrance doors



3

Technical information

a1 mm	a2 mm	b mm	c1 mm	c2 mm	d1 mm	d2 mm	e mm	f1 mm	
18.0	9.0	61.0	15.0	31.0	60.0	44.0	9.6	23.0	

Application

- For timber doors
- Load capacity with 2 hinges 80 kg

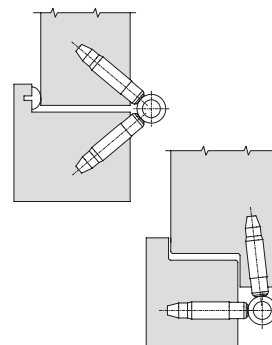
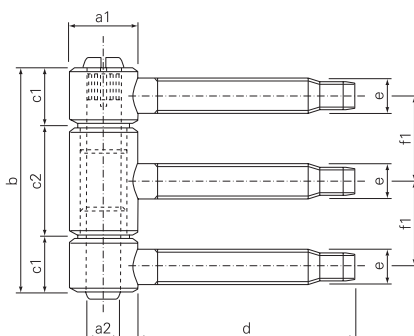
Product / Application	art. No	Material	Surface	Salt spray test hour	Packaging
40H18F000SK	22190	Steel	Bronzed	3	12
40H18F000SCO	990766	Steel	Matt Chrome	48	12

Accessories



- BBOX
Page 9.60

40H Ø 18 - 3 part hinge with self lubricating bushes for entrance doors



Technical information

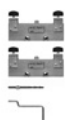
a1 mm	a2 mm	b mm	c1 mm	c2 mm	d mm	e mm	f1 mm	
18.0	9.0	61.0	15.0	31.0	60.0	9.6	23.0	

Application

- For timber doors
- Load capacity with 2 hinges 80 kg

Product / Application	art. No	Material	Surface	Salt spray test hour	Packaging
40H18S006XS	1136095	Stainless steel	Matt Stainless Steel		25
40H18S006SN	725765	Steel	Nickel	20	25
40H18S006OA	1136096	Steel	Old bronzed	2	25
40H18S006SM	1035071	Steel	Brassed	4	25
40H18S006ZG	1569626	Steel	Yellow Zinc	280	25
40H18S006DZ	1136092	Steel	Zinc 9µ	180	25

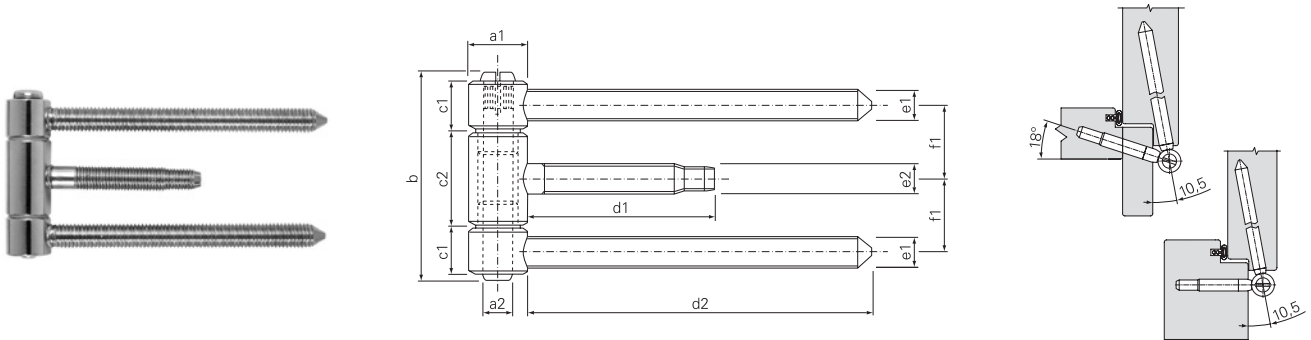
Accessories



- BBOX
Page 9.60

40H-18-009

40H Ø 18 - 3 part hinge with self lubricating bushes for entrance doors



3

Technical information

a1 mm	a2 mm	b mm	c1 mm	c2 mm	d1 mm	d2 mm	e1 mm	e2 mm	f1 mm	
18.0	9.0	61.0	15.0	31.0	60.0	110.0	10.0	9.6	23.0	

Application

- For anti-fire doors with timber frames
- Load capacity with 2 hinges 80 kg



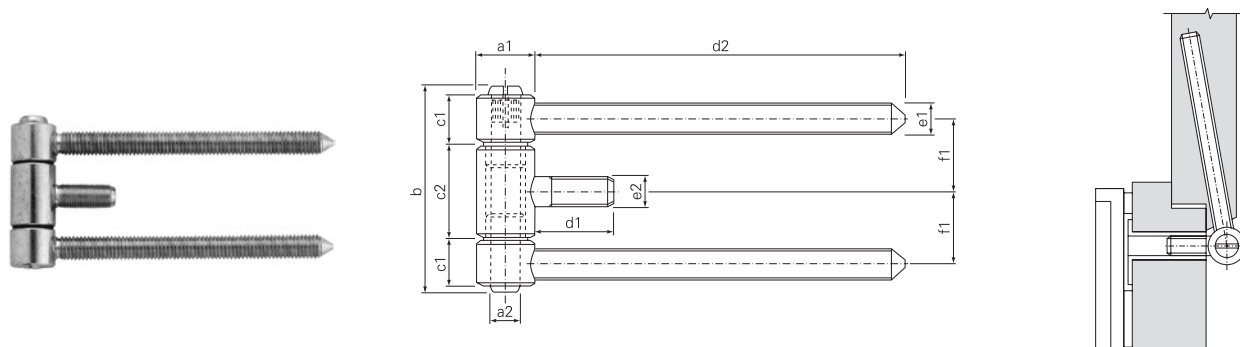
Product / Application	art. No	Material	Surface	Salt spray test hour	Packaging
40H18E009SN	1134742	Steel	Nickel	20	25
40H18E009OA	1134744	Steel	Old bronzed	2	25
40H18E009SM	1134743	Steel	Brassed	4	25
40H18E009DZ	1134737	Steel	Zinc 9µ	180	25

Accessories



- BBOX
Page 9.60

40H Ø 18 - 3 part hinge with self lubricating bushes for entrance doors



Technical information

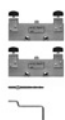
a1 mm	a2 mm	b mm	c1 mm	c2 mm	d1 mm	d2 mm	e1 mm	e2 mm	f mm
18.0	9.0	61.0	15.0	31.0	24.0	110.0	10.0	10.0	23.0

Application

- For anti-fire doors with steel frames
- Load capacity with 2 hinges 80 kg

Product / Application	art. No	Material	Surface	Salt spray test hour	Packaging
40H18E008SN	742622	Steel	Nickel	20	25
40H18E008DZ	1136073	Steel	Zinc 9µ	180	25

Accessories

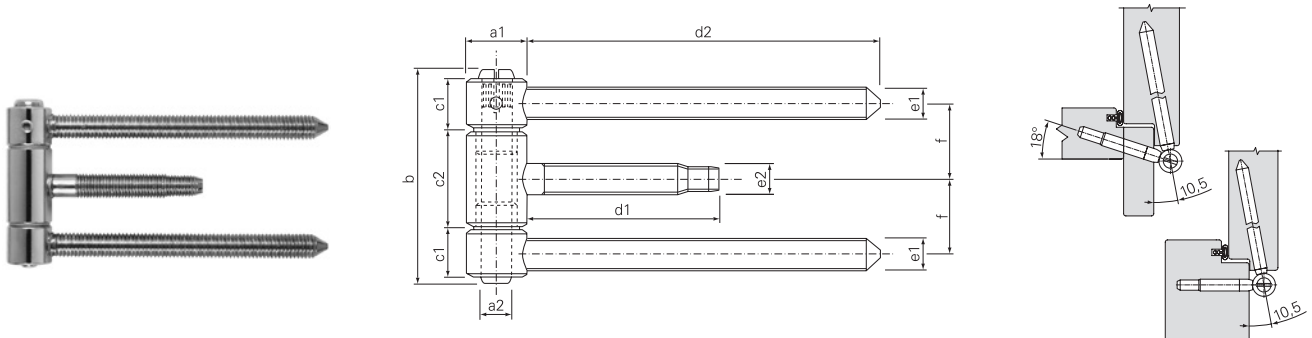


- BBOX
Page 9.60



40H-18-065

40H Ø 18 - 3 part hinge with self lubricating bushes and security screws for entrance doors



3

Technical information

a1 mm	a2 mm	b mm	c1 mm	c2 mm	d1 mm	d2 mm	e1 mm	e2 mm	f mm
18.0	9.0	61.0	15.0	31.0	60.0	110.0	10.0	9.6	23.0

Application

- For anti-fire doors with timber frames
- Load capacity with 2 hinges 80 kg

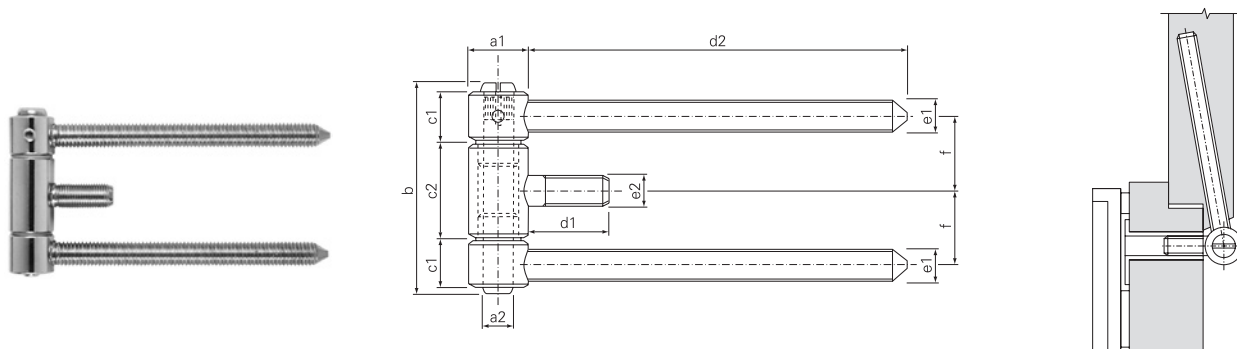
Product / Application	art. No	Material	Surface	Salt spray test hour	Packaging
40H18E065SN	1134963	Steel	Nickel	20	25

Accessories



- BBOX
Page 9.60

40H Ø 18 - 3 part hinge with self lubricating bushes and security screws for entrance doors



Technical information

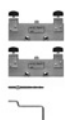
a1 mm	a2 mm	b mm	c1 mm	c2 mm	d1 mm	d2 mm	e1 mm	e2 mm	f mm
18.0	9.0	61.0	15.0	31.0	24.0	110.0	10.0	10.0	23.0

Application

- For anti-fire doors with steel frames
- Load capacity with 2 hinges 80 kg

Product / Application	art. No	Material	Surface	Salt spray test hour	Packaging
40H18E064SN	1135612	Steel	Nickel	20	25

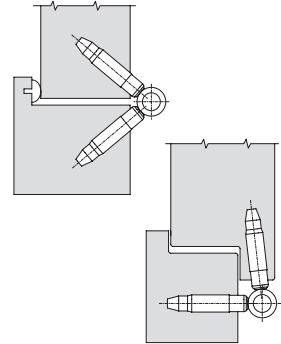
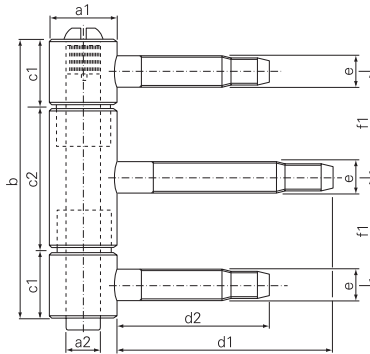
Accessories



- BBOX
Page 9.60

40H-20-000

40H Ø 20 - 3 part hinge with self lubricating bushes for entrance doors



3

Technical information

a1 mm	a2 mm	b mm	c1 mm	c2 mm	d1 mm	d2 mm	e mm	f1 mm	
20.0	10.0	86.0	20.0	46.0	65.0	46.0	9.8	33.0	

Application

- For timber doors
- Load capacity with 2 hinges 100 kg

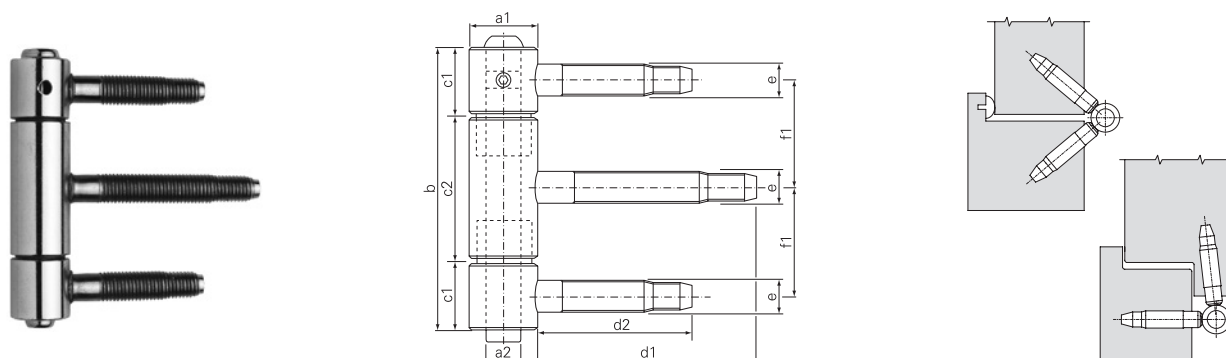
Product / Application	art. No	Material	Surface	Salt spray test hour	Packaging
40H20F000SK	22446	Steel	Bronzed	3	12
40H20F000SC	22203	Steel	Chromated	20	12
40H20F000SCO	990809	Steel	Matt Chrome	48	12
40H20F000SN	22205	Steel	Nickel	20	12
40H20F000SM	22204	Steel	Brassed	4	12
40H20F000SZ	22206	Steel	Zinc	120	12

Accessories



- BBOX
Page 9.60

40H Ø 20 - 3 part hinge with self lubricating bushes and security screws for entrance doors



Technical information

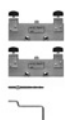
a1 mm	a2 mm	b mm	c1 mm	c2 mm	d1 mm	d2 mm	e mm	f1 mm	
20.0	10.0	86.0	20.0	46.0	65.0	46.0	9.8	33.0	

Application

- For timber doors
- Load capacity with 2 hinges 100 kg

Product / Application	art. No	Material	Surface	Salt spray test hour	Packaging
40H20S004SK	628999	Steel	Bronzed	3	12
40H20F004XS	1135988	Stainless steel	Matt Stainless Steel		12
40H20S004SN	22214	Steel	Nickel	20	12
40H20S004SM	20313	Steel	Brassed	4	12
40H20S004SZ	712421	Steel	Zinc	120	12
40H20F004DZ	1138838	Steel	Zinc 9µ	180	12

Accessories

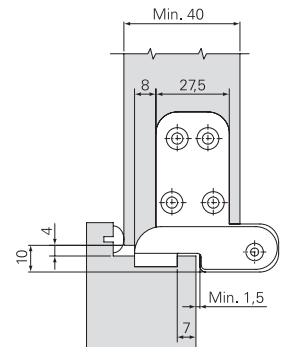
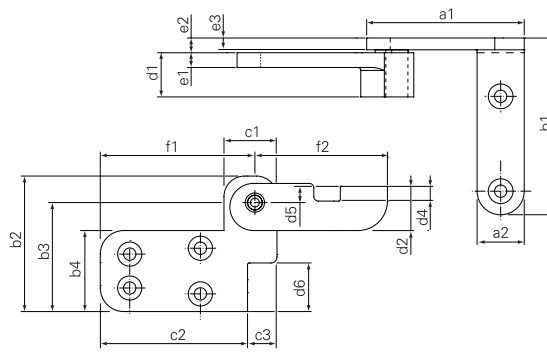


- BBOX
Page 9.60



CAB-041

CAB - Pivot hinge for internal doors



3

Technical information

a mm	b1 mm	b2 mm	c1 mm	c2 mm	d1 mm	d2 mm	
93.3	60.0	46.5	3.0	3.0	20.0	20.0	

Application

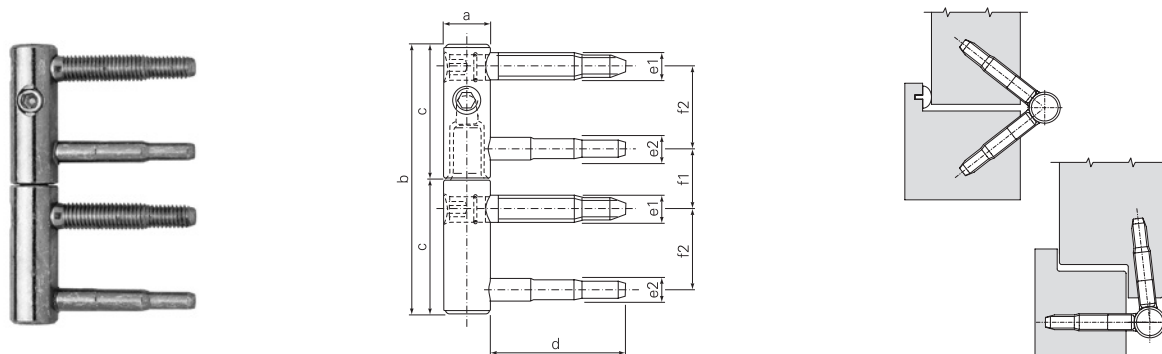
- For rebated doors
- Load capacity per pair 50 kg

Product / Application	art. No	Material	Surface	Salt spray test hour	Packaging
CABS041ZCO	1481304	Steel / Zamak	Matt Chrome	20	10

Accessories



11R Ø 14 - Adjustable hinge for internal doors



Technical information

a mm	b mm	c mm	d mm	e1 mm	e2 mm	f1 mm	f2 mm
14.0	80.0	40.0	40.0	7.7	6.6	18.0	24.0

Application

- For timber doors and windows
- Load capacity with 2 hinges 80 kg
- Adjustable 0/+3mm in height, +/-3mm horizontal and gasket pressure



Product / Application	art. No	Material	Surface	Salt spray test hour	Packaging
11R14S000SZS	710893	Steel	Zinc GSS	640	12

Accessories



- BBOX
Page 9.61



- 180B Ø 14
Page 9.24



- 180T Ø 14
Page 9.20



- 180 Ø 14
Page 9.8

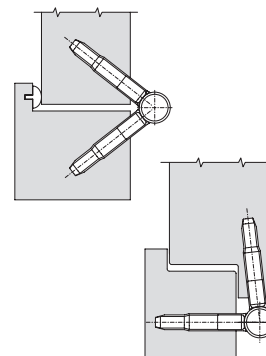
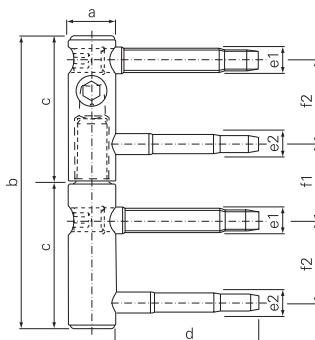


- 180 Ø 14
Page 9.7



11R-15-000

11R Ø 15 - Adjustable hinge



3

Technical information

a mm	b mm	c mm	d mm	e1 mm	e2 mm	f1 mm	f2 mm
15.0	92.0	46.0	45.0	8.7	7.6	28.0	24.0

Application

- For timber doors and windows
- Load capacity with 2 hinges 80 kg
- Adjustable 0/+3mm in height, +/-3mm horizontal and gasket pressure

Product / Application	art. No	Material	Surface	Salt spray test hour	Packaging
11R15S000SZS	702012	Steel	Zinc GSS	640	12

Accessories



- BBOX
Page 9.62



- 180B Ø 15
Page 9.25



- 180T Ø 15
Page 9.21

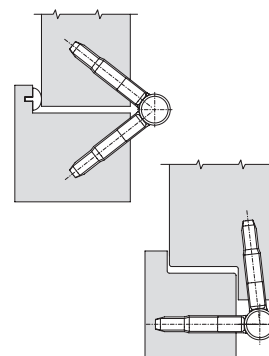
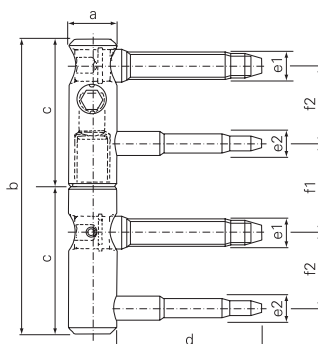


- 180 Ø 15
Page 9.13



- 180 Ø 15
Page 9.11

11R Ø 15 - Adjustable hinge with security screws for internal doors



Technical information

a mm	b mm	c mm	d mm	e1 mm	e2 mm	f1 mm	f2 mm
15.0	92.0	46.0	45.0	8.7	7.6	28.0	24.0

Application

- For timber doors
- Load capacity with 2 hinges 80 kg
- Adjustable 0/+3mm in height, +/-3mm horizontal and gasket pressure

Product / Application	art. No	Material	Surface	Salt spray test hour	Packaging
11R15F010SZS	706702	Steel	Zinc GSS	640	10

Accessories



- BBOX
Page 9.62



- 180B Ø 15
Page 9.25



- 180T Ø 15
Page 9.21



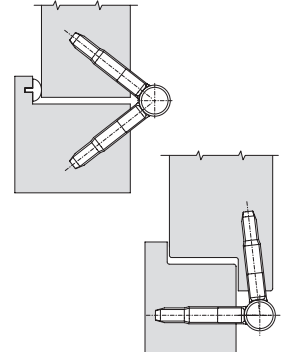
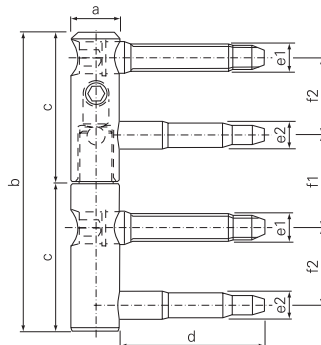
- 180 Ø 15
Page 9.13



- 180 Ø 15
Page 9.11

11R-15-030

11R Ø 15 - Adjustable hinge stainless steel for internal doors



3

Technical information

a mm	b mm	c mm	d mm	e1 mm	e2 mm	f1 mm	f2 mm
15.0	92.0	46.0	45.0	8.7	7.6	28.0	24.0

Application

- For timber doors and windows
- Load capacity with 2 hinges 100 kg
- Adjustable 0/+3mm in height, +/-3mm horizontal and gasket pressure

Product / Application	art. No	Material	Surface	Salt spray test hour	Packaging
11R15F030XS	1422749	Stainless steel	Matt stainless steel		10

Accessories



- BBOX
Page 9.62



- 180B Ø 15
Page 9.25



- 180T Ø 15
Page 9.21

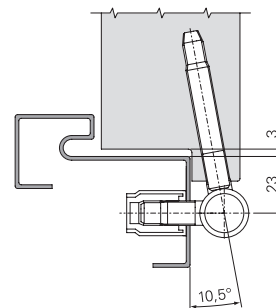
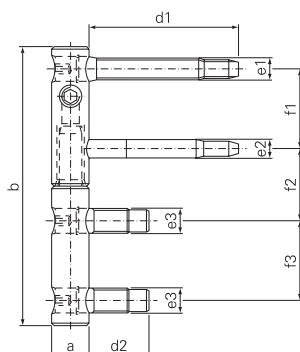


- 180 Ø 15
Page 9.13



- 180 Ø 15
Page 9.11

11R Ø 15 - Adjustable hinge



Technical information

a mm	b mm	d1 mm	d2 mm	e1 mm	e2 mm	e3 mm	f1 mm	f2 mm	f3 mm
15.0	112.0	60.0	24.0	8.7	7.6	10.0	32.0	29.0	32.0

Application

- For steel frames
- Load capacity with 2 hinges 80 kg
- Adjustable 0/+3mm in height, +/-3mm horizontal and gasket pressure

Product / Application	art. No	Material	Surface	Salt spray test hour	Packaging
11R15F009SZS	1137825	Steel	Zinc GSS	640	10

Accessories



- BBOX
Page 9.62



- Spindle
Page 9.73



- 180B Ø 15
Page 9.26



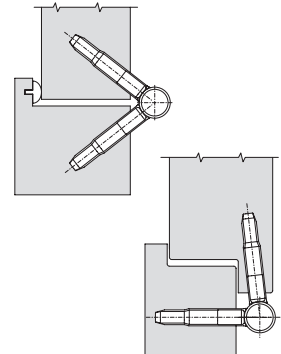
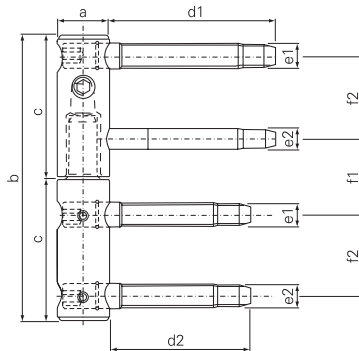
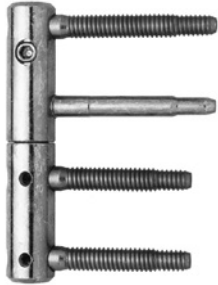
- 180T Ø 15
Page 9.22



- 180 Ø 15
Page 9.14

11R-20-017

11R Ø 20 - Adjustable hinge for entrance doors



3

Technical information

a mm	b mm	c mm	d1 mm	d2 mm	e1 mm	e2 mm	f1 mm	f2 mm
20.0	112.0	56.0	80.0	55.0	9.5	8.4	29.0	32.0

Application

- For timber doors
- Load capacity with 2 hinges 120 kg
- Adjustable 0/+3mm in height, +/-3mm horizontal and gasket pressure
- Male studs self-tapping

Product / Application	art. No	Material	Surface	Salt spray test hour	Packaging
11R20S017SZS	1063762	Steel	Zinc GSS	640	10

Accessories



- BBOX
Page 9.62



- Spindle
Page 9.73



- 180B Ø 20
Page 9.27

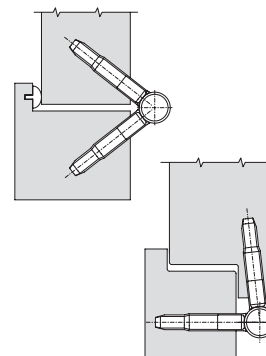
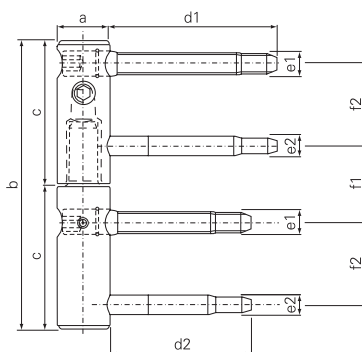
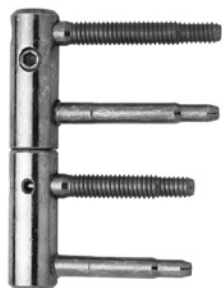


- 180T Ø 20
Page 9.23



- 180 Ø 20
Page 9.17

11R Ø 20 - Adjustable hinge with security screws for entrance doors



Technical information

a mm	b mm	c mm	d1 mm	d2 mm	e1 mm	e2 mm	f1 mm	f2 mm
20.0	112.0	56.0	65.0	55.0	9.5	8.4	29.0	32.0

Application

- For timber doors
- Load capacity with 2 hinges 120 kg
- Adjustable 0/+3mm in height, +/-3mm horizontal and gasket pressure



Product / Application	art. No	Material	Surface	Salt spray test hour	Packaging
11R20F000XS	1272282	Stainless steel	Matt Stainless Steel		10
11R20S000SZS	706705	Steel	Zinc GSS	640	10

Accessories



• BBOX
Page 9.62



• 180B Ø 20
Page 9.27



• 180T Ø 20
Page 9.23



• 180 Ø 20
Page 9.17

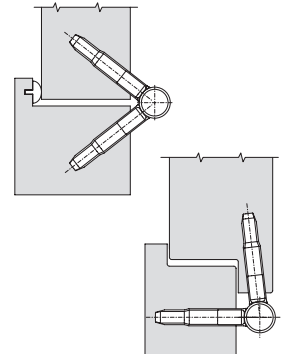
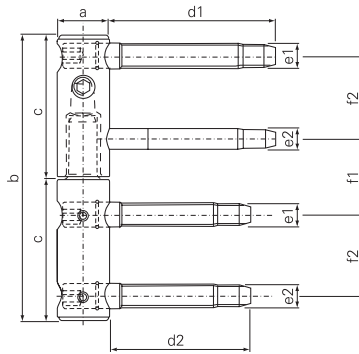
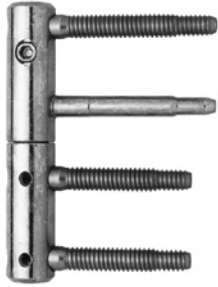


• 180 Ø 20
Page 9.16



11R-20-007

11R Ø 20 - Adjustable hinge with security screws for entrance doors



3

Technical information

a mm	b mm	c mm	d1 mm	d2 mm	e1 mm	e2 mm	f1 mm	f2 mm
20.0	112.0	56.0	65.0	55.0	9.5	8.4	29.0	32.0

Application

- For timber doors
- Load capacity with 2 hinges 120 kg
- Adjustable 0/+3mm in height, +/-3mm horizontal and gasket pressure
- Male studs self-tapping

Product / Application	art. No	Material	Surface	Salt spray test hour	Packaging
11R20S007SZS	710894	Steel	Zinc GSS	640	10

Accessories



- BBOX
Page 9.62



- Spindle
Page 9.73



- 180B Ø 20
Page 9.27

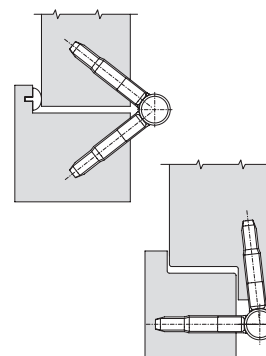
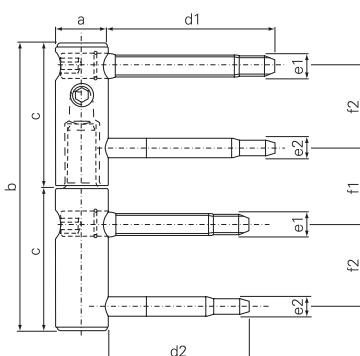
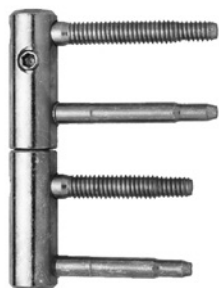


- 180T Ø 20
Page 9.23



- 180 Ø 20
Page 9.17

11R Ø 20 - Adjustable hinge



Technical information

a mm	b mm	c mm	d1 mm	d2 mm	e1 mm	e2 mm	f1 mm	f2 mm
20.0	112.0	56.0	65.0	55.0	9.5	8.4	29.0	32.0

Application

- For timber doors
- Load capacity with 2 hinges 120 kg
- Adjustable 0/+3mm in height, +/-3mm horizontal and gasket pressure

Product / Application	art. No	Material	Surface	Salt spray test hour	Packaging
11R20S009SZS	706656	Steel	Zinc GSS	640	10

Accessories



- BBOX
Page 9.62



- 180B Ø 20
Page 9.27



- 180T Ø 20
Page 9.23



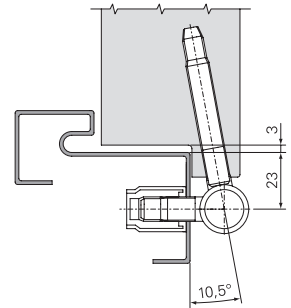
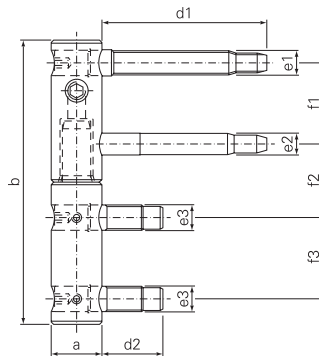
- 180 Ø 20
Page 9.17



- 180 Ø 20
Page 9.16

11R-20-006

11R Ø 20 - Adjustable hinge with security screws for entrance doors



Technical information

a mm	b mm	d1 mm	d2 mm	e1 mm	e2 mm	e3 mm	f1 mm	f2 mm	f3 mm
20.0	112.0	65.0	24.0	9.5	8.4	10.0	32.0	29.0	32.0

Application

- For steel frames
- Load capacity with 2 hinges 120 kg
- Adjustable 0/+3mm in height, +/-3mm horizontal and gasket pressure

Product / Application	art. No	Material	Surface	Salt spray test hour	Packaging
11R20F006SZS	1137827	Steel	Zinc GSS	640	10

Accessories



- BBOX
Page 9.62



- Spindle
Page 9.73



- 180B Ø 20
Page 9.27

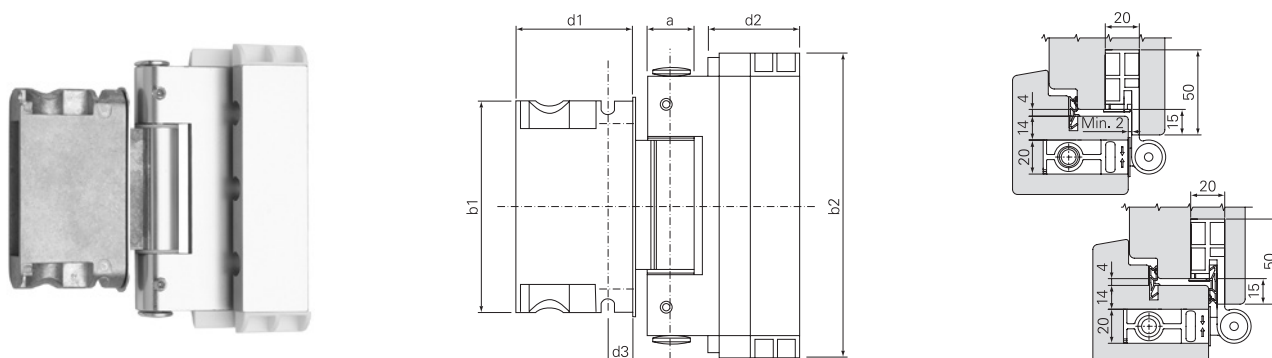


- 180T Ø 20
Page 9.23



- 180 Ø 20
Page 9.17

Easy 3D Ø 20 - Adjustable hinge for entrance doors - rebate 15mm air gap 4mm



Technical information

a mm	b1 mm	b2 mm	d1 mm	d2 mm	d3 mm	
20.0	90.0	130.0	50.0	50.0	10.5	

Application

- For rebated entrance doors
- Load capacity with 2 hinges 160 kg
- Adjustable +3/-2mm in height, +/-3mm horizontal and +/-2mm gasket pressure



Product / Application	art. No	Material	Surface	Salt spray test hour	Packaging
E3DS020ABS	1353012	Steel / Aluminium	Traffic White RAL 9016		3
E3DS020AKC	1353016	Steel / Aluminium	Light Bronzed		3
E3DS020ACA	1351253	Steel / Aluminium	Matt Chrome		3
E3DS020ASX	1353021	Steel / Aluminium	Brushed Stainless Steel Effect		3
E3DS020APM	1353018	Steel / Aluminium	Brown RAL 8017		3
E3DS020AMPN	1353019	Steel / Aluminium	Black RAL 9005 Matt		3
E3DS020ANO	1353017	Steel / Aluminium	Nickel matt		3
E3DS020AEL	1353015	Steel / Aluminium	Brassed		3
E3DS020APXW	1353020	Steel / Aluminium	Powder coated light inox		3

Accessories



- BA
Page 9.49



- BA
Page 9.50



- Milling cutter
Page 9.52

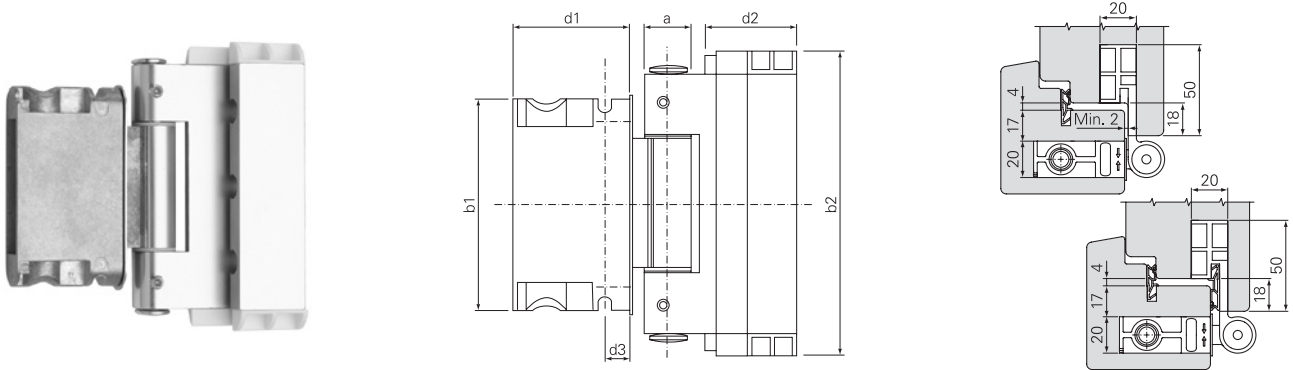


- Easy 3D
Page 9.3



E3D-20-020

Easy 3D Ø 20 - Adjustable hinge for entrance doors - rebate 18mm air gap 4mm



Technical information

a mm	b1 mm	b2 mm	d1 mm	d2 mm	d3 mm
20.0	90.0	130.0	50.0	50.0	10.5

Application

- For rebated entrance doors
- Load capacity with 2 hinges 160 kg
- Adjustable +3/-2mm in height, +/-3mm horizontal and +/-2mm gasket pressure



Product / Application	art. No	Material	Surface	Salt spray test hour	Packaging
E3DS020ABS	1353012	Steel / Aluminium	Traffic White RAL 9016		3
E3DS020AKC	1353016	Steel / Aluminium	Light Bronzed		3
E3DS020ACA	1351253	Steel / Aluminium	Matt Chrome		3
E3DS020ASX	1353021	Steel / Aluminium	Brushed Stainless Steel Effect		3
E3DS020APM	1353018	Steel / Aluminium	Brown RAL 8017		3
E3DS020AMPN	1353019	Steel / Aluminium	Black RAL 9005 Matt		3
E3DS020ANO	1353017	Steel / Aluminium	Nickel matt		3
E3DS020AEL	1353015	Steel / Aluminium	Brassed		3
E3DS020APXW	1353020	Steel / Aluminium	Powder coated light inox		3

Accessories



- BA
Page 9.49

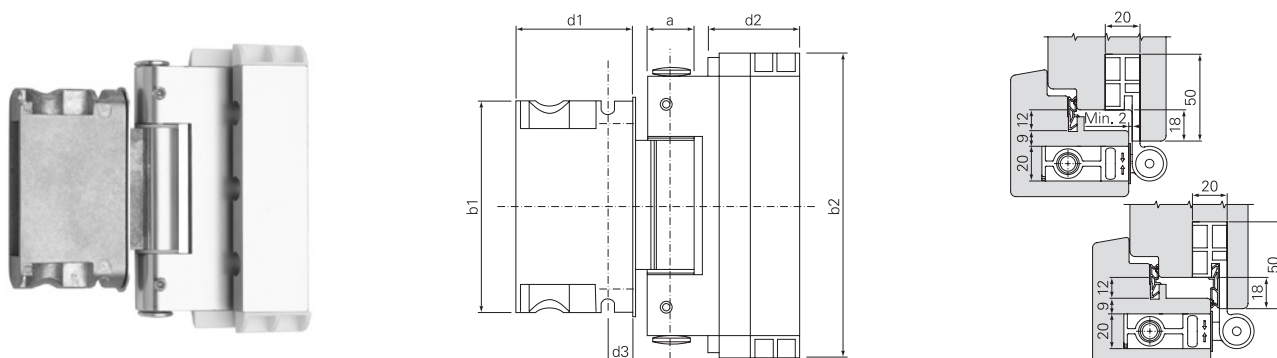


- BA
Page 9.50



- Milling cutter
Page 9.52

Easy 3D Ø 20 - Adjustable hinge for entrance doors - rebate 18mm air gap 12mm



Technical information

a mm	b1 mm	b2 mm	d1 mm	d2 mm	d3 mm	
20.0	90.0	130.0	50.0	50.0	10.5	

Application

- For rebated entrance doors
- Load capacity with 2 hinges 160 kg
- Adjustable +3/-2mm in height, +/-3mm horizontal and +/-2mm gasket pressure



Product / Application	art. No	Material	Surface	Salt spray test hour	Packaging
E3DS020ABS	1353012	Steel / Aluminium	Traffic White RAL 9016		3
E3DS020AKC	1353016	Steel / Aluminium	Light Bronzed		3
E3DS020ACA	1351253	Steel / Aluminium	Matt Chrome		3
E3DS020ASX	1353021	Steel / Aluminium	Brushed Stainless Steel Effect		3
E3DS020APM	1353018	Steel / Aluminium	Brown RAL 8017		3
E3DS020AMPN	1353019	Steel / Aluminium	Black RAL 9005 Matt		3
E3DS020ANO	1353017	Steel / Aluminium	Nickel matt		3
E3DS020AEL	1353015	Steel / Aluminium	Brassed		3
E3DS020APXW	1353020	Steel / Aluminium	Powder coated light inox		3

Accessories



- BA
Page 9.49



- BA
Page 9.50

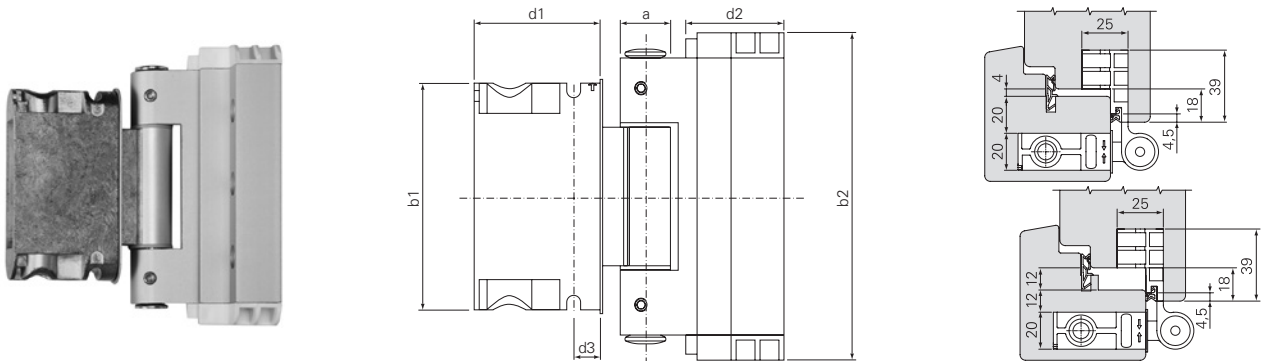


- Milling cutter
Page 9.52



E3D-20-023

Easy 3D Ø 20 - Adjustable hinge for entrance doors - rebate 18mm soundproofed gasket 4,5mm



3

Technical information

a mm	b1 mm	b2 mm	d1 mm	d2 mm	d3 mm
20.0	90.0	130.0	50.0	39.0	10.5

Application

- For rebated entrance doors
- Load capacity with 2 hinges 160 kg
- Adjustable +3/-2mm in height, +/-3mm horizontal and +/-2mm gasket pressure
- Soundproofed gasket 4,5mm



Product / Application	art. No	Material	Surface	Salt spray test hour	Packaging
E3DS023ABS	1357298	Steel / Aluminium	Traffic White RAL 9016		3
E3DS023AKC	1357312	Steel / Aluminium	Light Bronzed		3
E3DS023ACA	1357299	Steel / Aluminium	Matt Chrome		3
E3DS023ASX	1357317	Steel / Aluminium	Brushed Stainless Steel Effect		3
E3DS023APM	1357314	Steel / Aluminium	Brown RAL 8017		3
E3DS023AMPN	1357315	Steel / Aluminium	Black RAL 9005 Matt		3
E3DS023ANO	1357313	Steel / Aluminium	Nickel matt		3
E3DS023AEL	1357300	Steel / Aluminium	Brassed		3
E3DS023APXW	1357316	Steel / Aluminium	Powder coated light inox		3

Accessories



- BA
Page 9.49

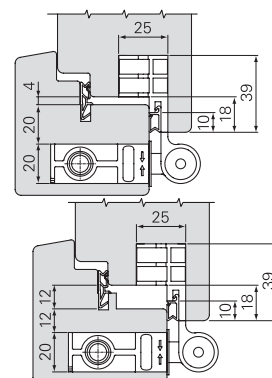
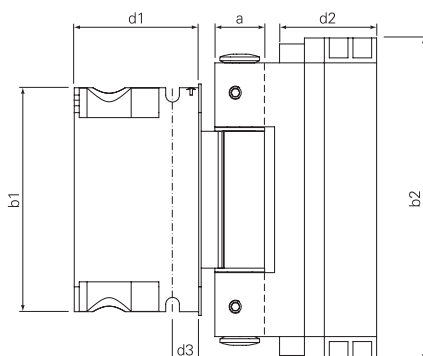
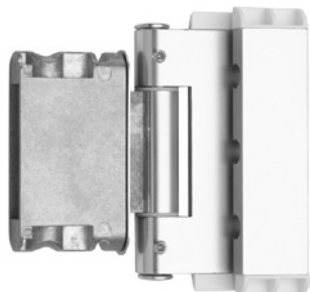


- BA
Page 9.50



- Milling cutter
Page 9.52

Easy 3D Ø 20 - Adjustable hinge for entrance doors - rebate 18mm soundproofed gasket 10mm



Technical information

a mm	b1 mm	b2 mm	d1 mm	d2 mm	d3 mm
20.0	90.0	130.0	50.0	39.0	10.5

Application

- For rebated entrance doors
- Load capacity with 2 hinges 160 kg
- Adjustable +3/-2mm in height, +/-3mm horizontal and +/-2mm gasket pressure
- Soundproofed gasket 10mm



Product / Application	art. No	Material	Surface	Salt spray test hour	Packaging
E3DS024ABS	1357318	Steel / Aluminium	Traffic White RAL 9016		3
E3DS024AKC	1357321	Steel / Aluminium	Light Bronzed		3
E3DS024ACA	1357319	Steel / Aluminium	Matt Chrome		3
E3DS024ASX	1357327	Steel / Aluminium	Brushed Stainless Steel Effect		3
E3DS024APM	1357325	Steel / Aluminium	Brown RAL 8017		3
E3DS024AMPN	1357431	Steel / Aluminium	Black RAL 9005 Matt		3
E3DS024ANO	1357324	Steel / Aluminium	Nickel matt		3
E3DS024AEL	1357320	Steel / Aluminium	Brassed		3
E3DS024APXW	1357326	Steel / Aluminium	Powder coated light inox		3

Accessories



• BA
Page 9.49

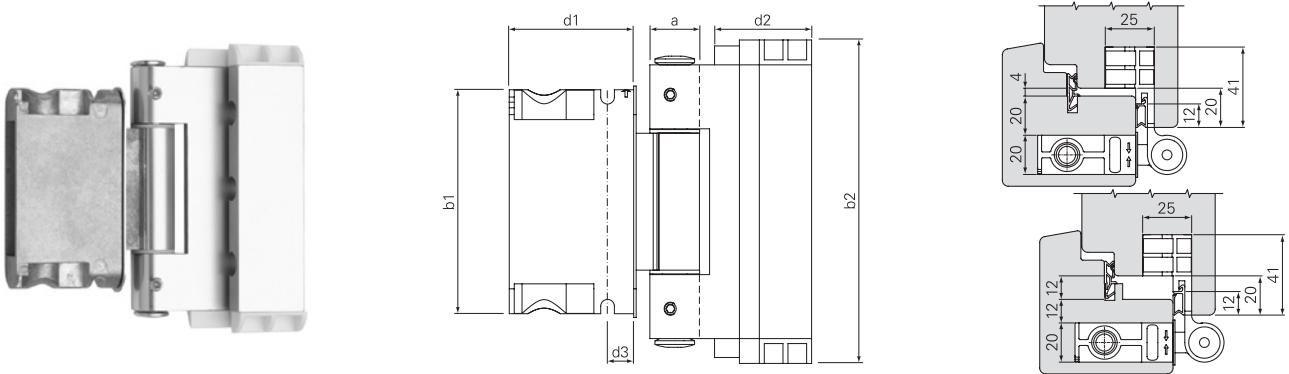
• BA
Page 9.50

• Milling cutter
Page 9.52



E3D-20-024

Easy 3D Ø 20 - Adjustable hinge for entrance doors - rebate 20mm soundproofed gasket 12mm



Technical information

a mm	b1 mm	b2 mm	d1 mm	d2 mm	d3 mm
20.0	90.0	130.0	50.0	39.0	10.5

Application

- For rebated entrance doors
- Load capacity with 2 hinges 160 kg
- Adjustable +3/-2mm in height, +/-3mm horizontal and +/-2mm gasket pressure
- Soundproofed gasket 10mm



Product / Application	art. No	Material	Surface	Salt spray test hour	Packaging
E3DS024ABS	1357318	Steel / Aluminium	Traffic White RAL 9016		3
E3DS024AKC	1357321	Steel / Aluminium	Light Bronzed		3
E3DS024ACA	1357319	Steel / Aluminium	Matt Chrome		3
E3DS024ASX	1357327	Steel / Aluminium	Brushed Stainless Steel Effect		3
E3DS024APM	1357325	Steel / Aluminium	Brown RAL 8017		3
E3DS024AMPN	1357431	Steel / Aluminium	Black RAL 9005 Matt		3
E3DS024ANO	1357324	Steel / Aluminium	Nickel matt		3
E3DS024AEL	1357320	Steel / Aluminium	Brassed		3
E3DS024APXW	1357326	Steel / Aluminium	Powder coated light inox		3

Accessories



- BA
Page 9.49

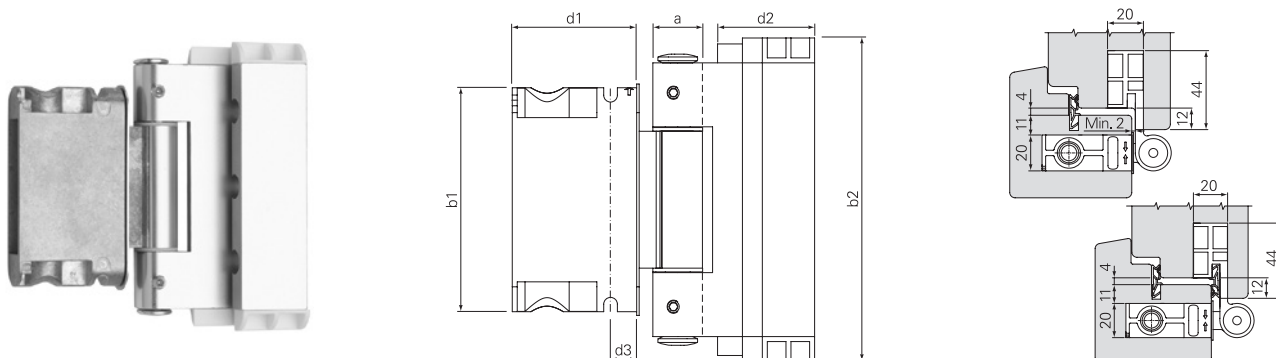


- BA
Page 9.50



- Milling cutter
Page 9.52

Easy 3D Ø 20 - Adjustable hinge for entrance doors - rebate 12mm air gap 4mm



Technical information

a mm	b1 mm	b2 mm	d1 mm	d2 mm	d3 mm	
20.0	90.0	130.0	50.0	44.0	10.5	

Application

- For rebated entrance doors
- Load capacity with 2 hinges 160 kg
- Adjustable +3/-2mm in height, +/-3mm horizontal and +/-2mm gasket pressure



Product / Application	art. No	Material	Surface	Salt spray test hour	Packaging
E3DS025ASX	1357470	Steel / Aluminium	Brushed Stainless Steel Effect		3

Accessories



- BA
Page 9.49



- BA
Page 9.50

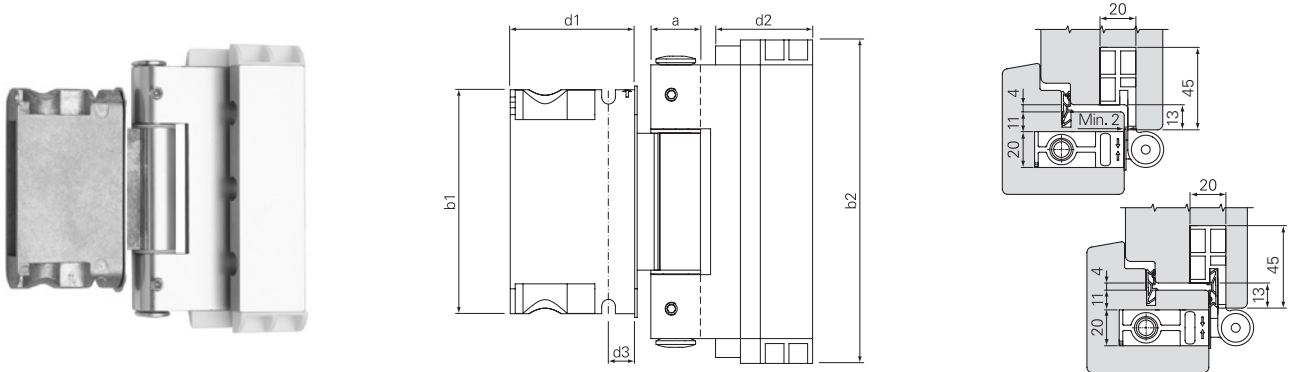


- Milling cutter
Page 9.52



E3D-20-025

Easy 3D Ø 20 - Adjustable hinge for entrance doors - rebate 13mm air gap 4mm



3

Technical information

a mm	b1 mm	b2 mm	d1 mm	d2 mm	d3 mm	
20.0	90.0	130.0	50.0	44.0	10.5	

Application

- For rebated entrance doors
- Load capacity with 2 hinges 160 kg
- Adjustable +3/-2mm in height, +/-3mm horizontal and +/-2mm gasket pressure



Product / Application	art. No	Material	Surface	Salt spray test hour	Packaging
E3DS025ASX	1357470	Steel / Aluminium	Brushed Stainless Steel Effect		3

Accessories



- BA
Page 9.49

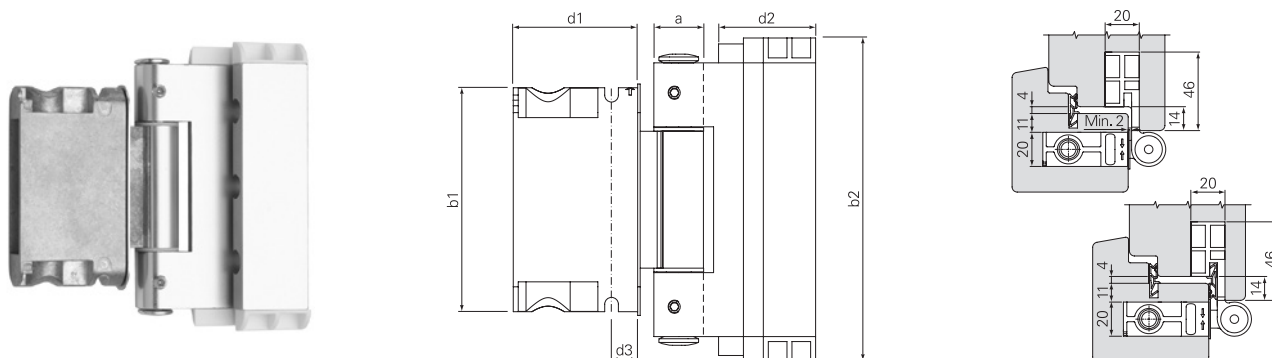


- BA
Page 9.50



- Milling cutter
Page 9.52

Easy 3D Ø 20 - Adjustable hinge for entrance doors - rebate 14mm air gap 4mm



Technical information

a mm	b1 mm	b2 mm	d1 mm	d2 mm	d3 mm	
20.0	90.0	130.0	50.0	44.0	10.5	

Application

- For rebated entrance doors
- Load capacity with 2 hinges 160 kg
- Adjustable +3/-2mm in height, +/-3mm horizontal and +/-2mm gasket pressure



Product / Application	art. No	Material	Surface	Salt spray test hour	Packaging
E3DS025ASX	1357470	Steel / Aluminium	Brushed Stainless Steel Effect		3

Accessories



- BA
Page 9.49



- BA
Page 9.50

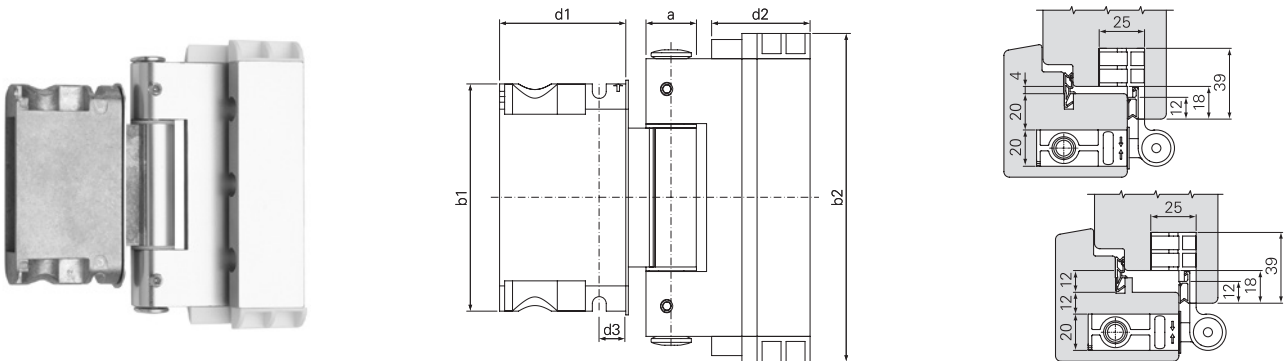


- Milling cutter
Page 9.52



E3D-20-026

Easy 3D - Adjustable hinge for entrance doors - rebate 18mm soundproofed gasket 12mm



3

Technical information

a mm	b1 mm	b2 mm	d1 mm	d2 mm	d3 mm	
20.0	90.0	130.0	50.0	39.0	10.5	

Application

- For rebated entrance doors
- Load per hinge 60 kg
- Adjustable +3/-2mm in height, +/-3mm horizontal and +/-2mm gasket pressure
- Soundproofed gasket 12mm



Product / Application	art. No	Material	Surface	Salt spray test hour	Packaging
E3DS026AMPN	1357472	Steel / Aluminium	Black RAL 9005 Matt		3
E3DS026ABS	1357329	Steel / Aluminium	Traffic White RAL 9016		3
E3DS026AKC	1357332	Steel / Aluminium	Light Bronzed		3
E3DS026ACA	1357330	Steel / Aluminium	Matt Chrome		3
E3DS026ASX	1357335	Steel / Aluminium	Brushed Stainless Steel Effect		3
E3DS026APM	1357334	Steel / Aluminium	Brown RAL 8017		3
E3DS026ANO	1357471	Steel / Aluminium	Nickel matt		3
E3DS026AEL	1357331	Steel / Aluminium	Brassed		3
E3DS026APXW	1357473	Steel / Aluminium	Powder coated light inox		3

Accessories



- BA
Page 9.49

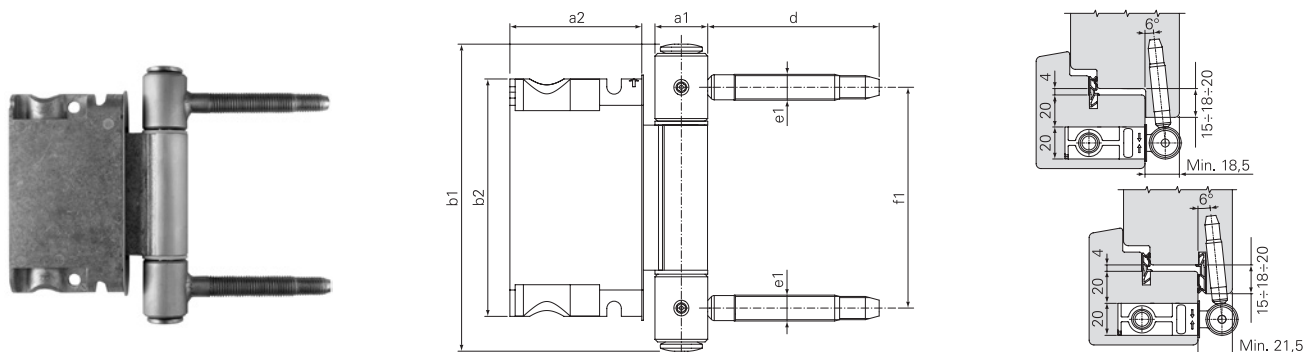


- BA
Page 9.50



- Milling cutter
Page 9.52

Easy 3D - Adjustable hinge for entrance doors



Technical information

a1 mm	a2 mm	b1 mm	b2 mm	d mm	e1 mm	f1 mm	
20.0	50.0	117.0	90.0	65.0	9.8	84.0	

Application

- For rebated entrance doors
- Load capacity with 2 hinges 160 kg
- Adjustable +3/-2mm in height, +/-3mm horizontal and +/-2mm gasket pressure



Product / Application	art. No	Material	Surface	Salt spray test hour	Packaging
E3DS001XTL	1360209	Stainless steel	Matt stainless steel		3

Accessories



- BA
Page 9.49



- BA
Page 9.51

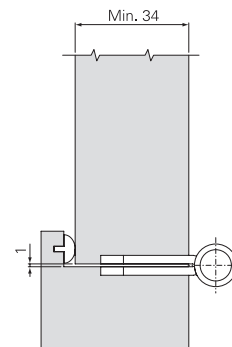
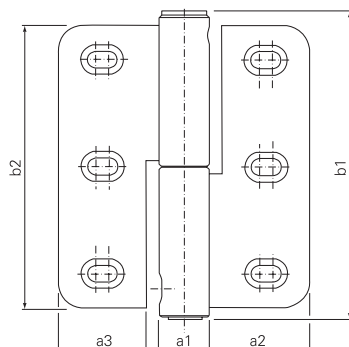
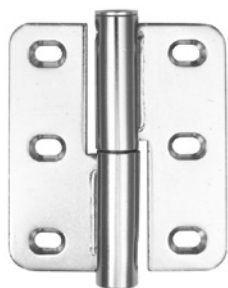


Hinges for timber doors and windows flush fit application

Product code	Application	Page
ATC Ø 15	Self closing system	4.2 and 4.4
11R Ø 15	Adjustable hinge for self closing system	4.3 and 4.5
11R Ø 15	Adjustable hinge for doors	4.6 - 4.7
11R Ø 20	Adjustable hinge for doors	4.8 - 4.9
CAB	Cylindrical pivot hinge for internal doors	4.10
CAB	Square pivot hinge for internal doors	4.11
CAB-R	Adjustable pivot hinge for internal doors	4.12
CAB-R 3D	Adjustable pivot hinge for internal doors	4.13 - 4.16
CIR	Concealed pivot hinge for internal doors	4.17
Easy 3D Ø 20	Adjustable hinge for entrance doors	4.18
Just 3D	Adjustable hinge for doors	4.19 - 4.20
W-Tec 3Ds	Concealed hinge for doors with narrow profiles	4.21 - 4.23
W-Tec 3D+	Concealed hinge for doors	4.24 - 4.32
W-Tec 3Df	Concealed hinge for antifire doors	4.33 - 4.35
W-Tec 3DL	Concealed hinge for heavy doors	4.36 - 4.38

ATC-15-052

ATC - Self closing mechanism left hand



Technical information

a1 mm	a2 mm	a3 mm	b1 mm	b2 mm	
15.0	27.0	31.0	95.0	86.0	

4

Application

- For flush fit doors airgap 1mm
- Spacers available for horizontal adjustments
- 0,5mm cod.998344, 1,0mm cod.998345, 2,0mm cod.998346

Product / Application	art. No	Material	Surface	Salt spray test hour	Pa-ckaging
ATC15F052SN	1622371	Steel	Nickel	20	10

Accessories



- 180B Ø 15
Page 9.25



- 180T Ø 15
Page 9.21

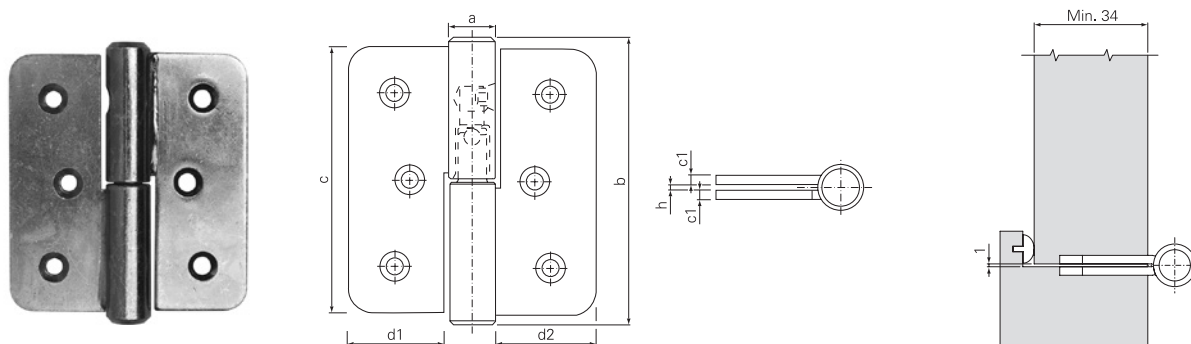


- 180 Ø 15
Page 9.13



- 180 Ø 15
Page 9.11

11R - Adjustable hinge left hand for self closing system



Technical information

a mm	b mm	c mm	c1 mm	d1 mm	d2 mm	h mm	
15.0	92.0	86.0	3.0	31.0	33.0	1.0	

Application

- For flush fit doors airgap 1mm
- Load capacity with 2 hinges 100 kg
- Spacers available for horizontal adjustments
- 0,5mm cod.998344, 1,0mm cod.998345, 2,0mm cod.998346

Product / Application	art. No	Material	Surface	Salt spray test hour	Pa-ckaging
11R15F033SN	515018	Steel	Nickel	20	10
11R15F033SM	514790	Steel	Brassed	4	10
11R15F033SCO	514742	Steel	Sandblasted matt chrome	20	10
11R15F033SZS	753375	Steel	Zinc GSS	640	10

Accessories



- 180B Ø 15
Page 9.25



- 180T Ø 15
Page 9.21



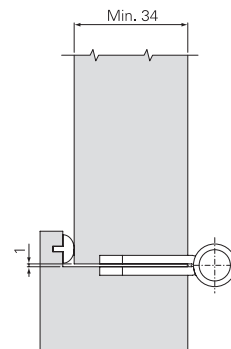
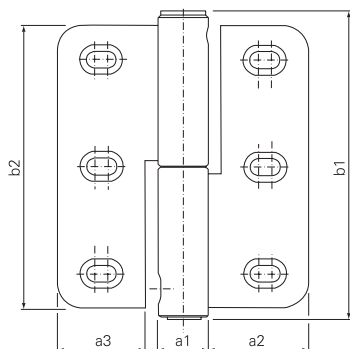
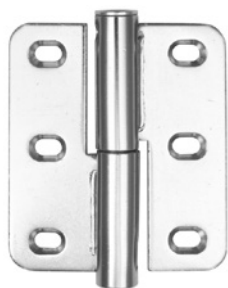
- 180 Ø 15
Page 9.13



- 180 Ø 15
Page 9.11

ATC-15-053

ATC - Self closing mechanism right hand



Technical information

a1 mm	a2 mm	a3 mm	b1 mm	b2 mm	
15.0	27.0	31.0	95.0	86.0	

4

Application

- For flush fit doors airgap 1mm
- Spacers available for horizontal adjustments
- 0,5mm cod.998344, 1,0mm cod.998345, 2,0mm cod.998346

Product / Application	art. No	Material	Surface	Salt spray test hour	Pa-ckaging
ATC15F053SN	1622372	Steel	Nickel	20	10

Accessories



- 180B Ø 15
Page 9.25



- 180T Ø 15
Page 9.21

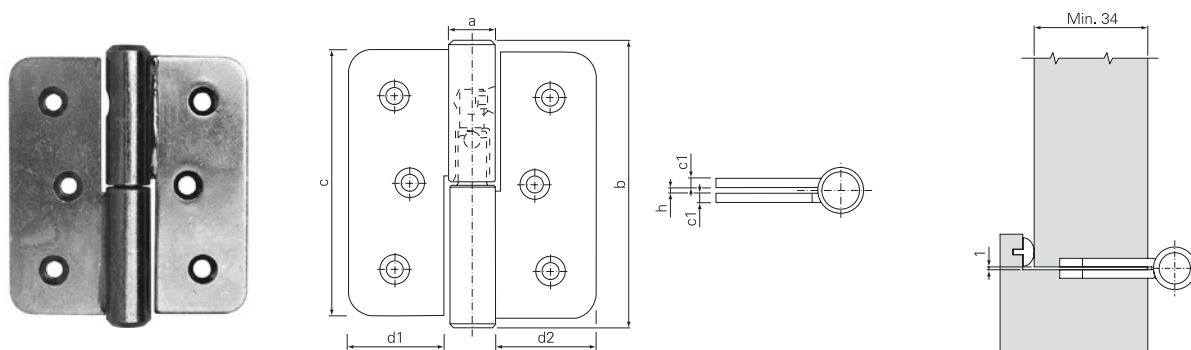


- 180 Ø 15
Page 9.13



- 180 Ø 15
Page 9.11

11R - Adjustable hinge right hand for self closing system



Technical information

a mm	b mm	c mm	c1 mm	d1 mm	d2 mm	h mm	
15.0	92.0	86.0	3.0	31.0	33.0	1.0	

Application

- For flush fit doors airgap 1mm
- Load capacity with 2 hinges 100 kg
- Spacers available for horizontal adjustments
- 0,5mm cod.998344, 1,0mm cod.998345, 2,0mm cod.998346

Product / Application	art. No	Material	Surface	Salt spray test hour	Pa-ckaging
11R15F034SN	515020	Steel	Nickel	20	10
11R15F034SM	514791	Steel	Brassed	4	10
11R15F034SCO	514789	Steel	Sandblasted matt chrome	20	10
11R15F034SZS	753376	Steel	Zinc GSS	640	10

Accessories



- 180B Ø 15
Page 9.25



- 180T Ø 15
Page 9.21



- 180 Ø 15
Page 9.13

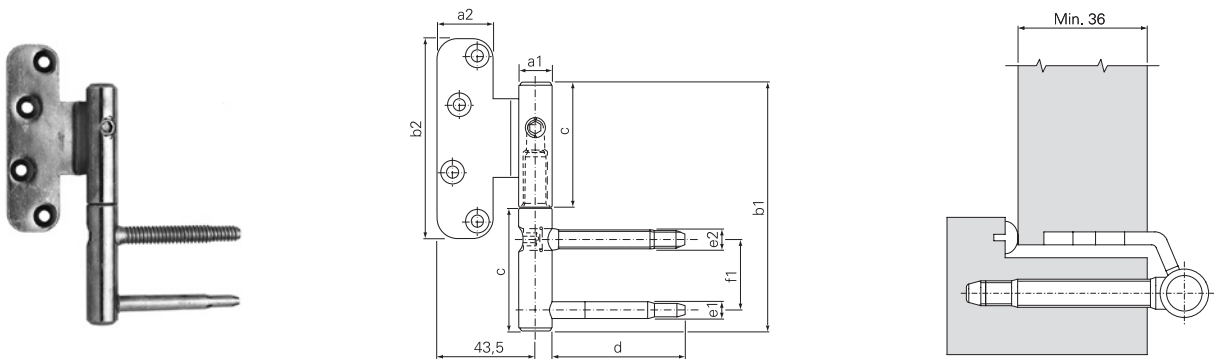


- 180 Ø 15
Page 9.11



11R-15-005

11R Ø 15 - Adjustable hinge left hand for doors



Technical information

a1 mm	a2 mm	b1 mm	b2 mm	c mm	d mm	e1 mm	e2 mm	f1 mm	
15.0	25.0	112.0	90.0	56.0	60.0	7.6	8.7	32.0	

4

Application

- For flush fit doors
- Load capacity with 2 hinges 80 kg
- Adjustable 0/+3mm in height and +/-3mm gasket pressure

Product / Application	art. No	Material	Surface	Salt spray test hour	Pa-ckaging
11R15F005SZS	1063859	Steel	Zinc GSS	640	10

Accessories



- 180B Ø 15
Page 9.26



- 180T Ø 15
Page 9.22

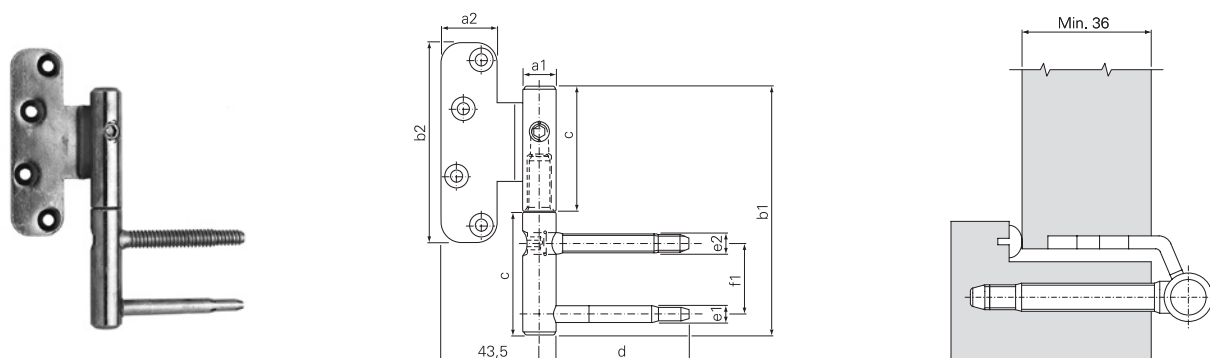


- 180 Ø 15
Page 9.14



- 180 Ø 15
Page 9.12

11R Ø 15 - Adjustable hinge right hand for doors



Technical information

a1 mm	a2 mm	b1 mm	b2 mm	c mm	d mm	e1 mm	e2 mm	f1 mm	
15.0	25.0	112.0	90.0	56.0	60.0	7.6	8.7	32.0	

Application

- For flush fit doors
- Load capacity with 2 hinges 80 kg
- Adjustable 0/+3mm in height and +/-3mm gasket pressure

Product / Application	art. No	Material	Surface	Salt spray test hour	Pa-ckaging
11R15F006SZS	1063857	Steel	Zinc GSS	640	10



Accessories



- 180B Ø 15
Page 9.26



- 180T Ø 15
Page 9.22



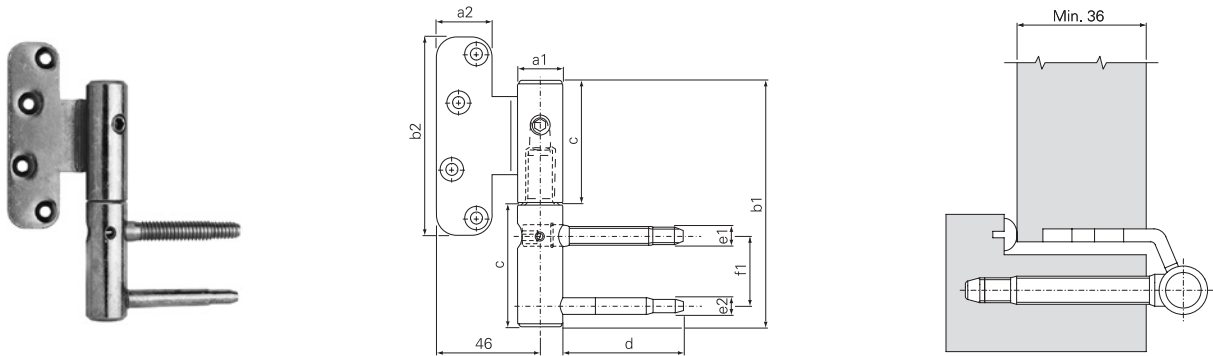
- 180 Ø 15
Page 9.14



- 180 Ø 15
Page 9.12

11R-20-001

11R Ø 20 - Adjustable hinge left hand with security screws for doors



Technical information

a1 mm	a2 mm	b1 mm	b2 mm	c mm	d mm	e1 mm	e2 mm	f1 mm	
20.0	25.0	112.0	90.0	56.0	55.0	9.5	8.4	32.0	

4

Application

- For flush fit doors
- Load capacity with 2 hinges 80 kg
- Adjustable 0/+3mm in height and +/-3mm gasket pressure

Product / Application	art. No	Material	Surface	Salt spray test hour	Pa-ckaging
11R20F001SZS	1063475	Steel	Zinc GSS	640	10

Accessories



- 180B Ø 20
Page 9.27



- 180T Ø 20
Page 9.23

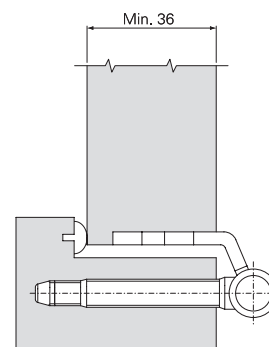
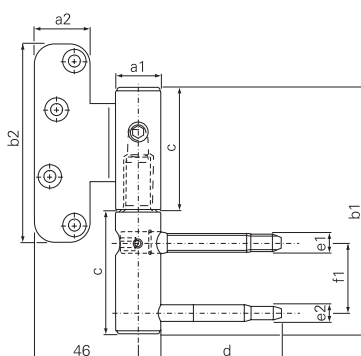
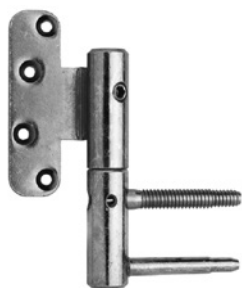


- 180 Ø 20
Page 9.17



- 180 Ø 20
Page 9.16

11R Ø 20 - Adjustable hinge right hand with security screws for doors



Technical information

a1 mm	a2 mm	b1 mm	b2 mm	c mm	d mm	e1 mm	e2 mm	f1 mm	
20.0	25.0	112.0	90.0	56.0	55.0	9.5	8.4	32.0	

Application

- For flush fit doors
- Load capacity with 2 hinges 80 kg
- Adjustable 0/+3mm in height and +/-3mm gasket pressure

Product / Application	art. No	Material	Surface	Salt spray test hour	Pa-ckaging
11R20F002SZS	1063602	Steel	Zinc GSS	640	10



Accessories



- 180B Ø 20
Page 9.27



- 180T Ø 20
Page 9.23



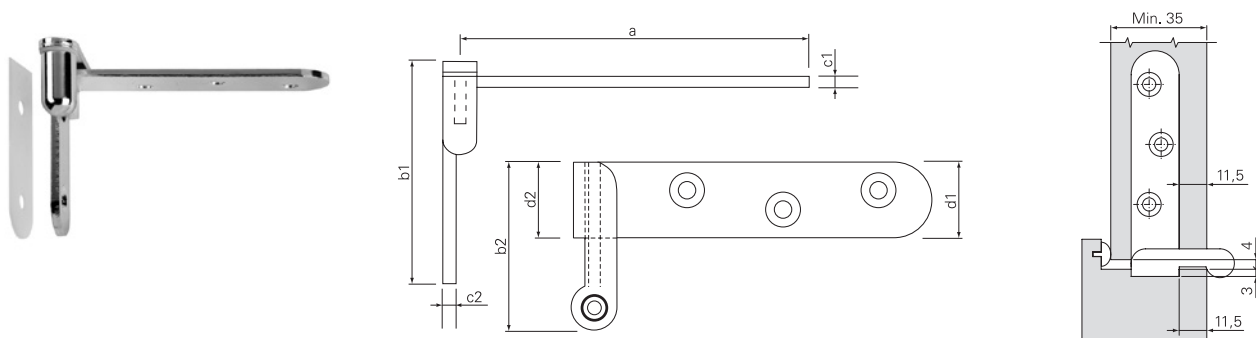
- 180 Ø 20
Page 9.17



- 180 Ø 20
Page 9.16

CAB-00-02

CAB - Cylindrical pivot hinge for internal doors



Technical information

a mm	b1 mm	b2 mm	c1 mm	c2 mm	d1 mm	d2 mm	
90.0	60.0	43.0	3.0	3.0	20.0	20.0	

Application

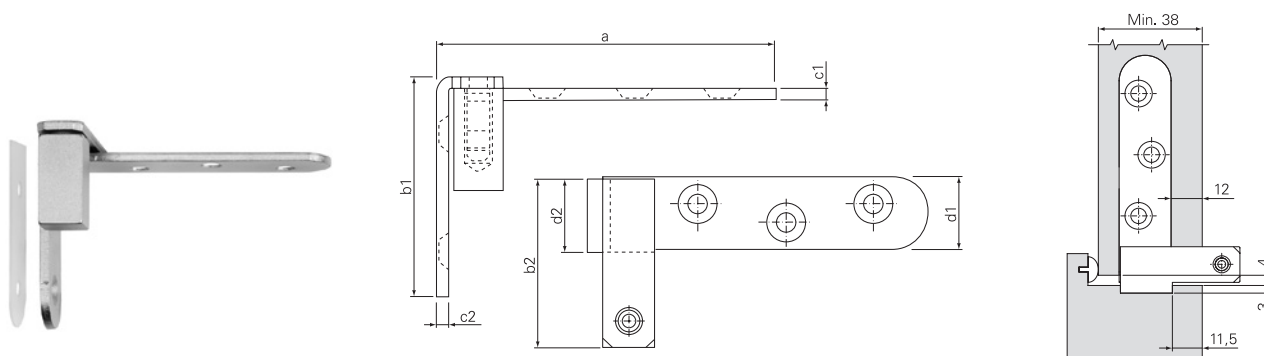
- For timber flush fit doors
- Load capacity per pair 40 kg

Product / Application	art. No	Material	Surface	Salt spray test hour	Pa-ckaging
CABE002NO	954008	Steel	Nickel matt	48	10
CABE002MT	1272496	Steel	Brassed	24	10

Accessories



CAB - Square pivot hinge for internal doors



Technical information

a mm	b1 mm	b2 mm	c1 mm	c2 mm	d1 mm	d2 mm	
93.3	60.0	46.5	3.0	3.0	20.0	20.0	

Application

- For timber flush fit doors
- Load capacity per pair 55 kg

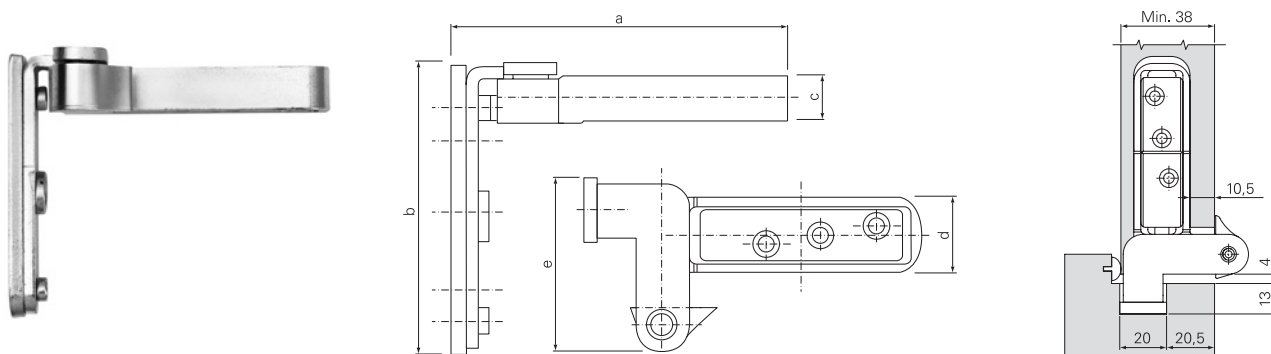
Product / Application	art. No	Material	Surface	Salt spray test hour	Pa-ckaging
CABS022SCO	1272701	Steel	Matt Chrome	20	10

Accessories



CAB-R-000

CAB-R - Adjustable pivot hinge for internal doors



Technical information

a mm	b mm	c mm	d mm	e mm	
107.0	90.0	14.0	24.0	55.0	

4

Application

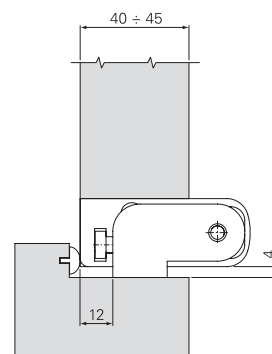
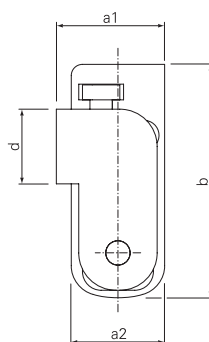
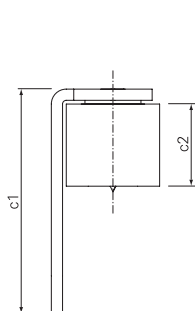
- For timber flush fit doors
- Load capacity per pair 80 kg
- Adjustable +/-3mm horizontal and +/-1,5mm gasket pressure

Product / Application	art. No	Material	Surface	Salt spray test hour	Pa-ckaging
CABRF000ZCO	1272070	Carbon steel	Matt Chrome	140	6
CABRF000ZSD	516543	Steel / Zamak	Gold	6	6

Accessories



CAB-R 3D - Adjustable pivot hinge for internal doors



Technical information

a1 mm	a2 mm	b mm	c1 mm	c2 mm	d mm
29.0	25.0	62.5	60.0	22.0	20.0

Application

- For flush fit doors without milling
- Load capacity per pair 80 kg
- Adjustable 0/+3mm in height, +/-1,5mm horizontal and +/-2mm gasket pressure
- For panels between 40 and 45 mm

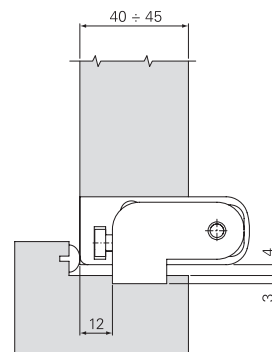
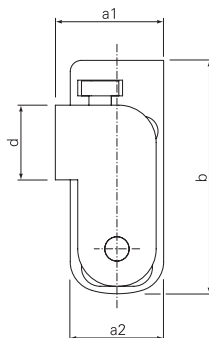
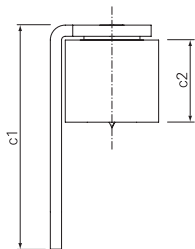
Product / Application	art. No	Material	Surface	Salt spray test hour	Pa-ckaging
CABR3DF001ZCO	1272698	Steel / Zamak	Matt Chrome	140	6
CABR3DF001ZMT	1158391	Steel / Zamak	Brassed	24	6

Accessories



CAB-R 3D-002

CAB-R 3D - Adjustable pivot hinge for internal doors



Technical information

a1 mm	a2 mm	b mm	c1 mm	c2 mm	d mm	
32.0	25.0	62.5	60.0	22.0	20.0	

4

Application

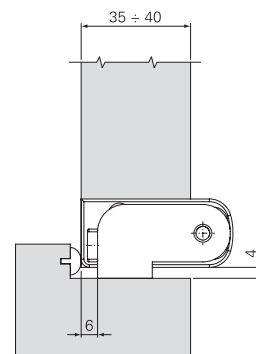
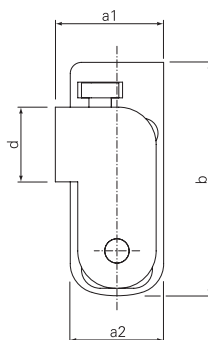
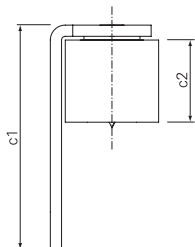
- For flush fit doors with milling
- Load capacity per pair 80 kg
- Adjustable 0/+3mm in height, +/-1,5mm horizontal and +/-2mm gasket pressure
- For panels between 40 and 45 mm

Product / Application	art. No	Material	Surface	Salt spray test hour	Pa-ckaging
CABR3DF002ZCO	1272699	Carbon steel	Matt Chrome	140	6

Accessories



CAB-R 3D - Adjustable pivot hinge for internal doors



Technical information

a1 mm	a2 mm	b mm	c1 mm	c2 mm	d mm	
29.0	25.0	55.5	60.0	22.0	20.0	

Application

- For flush fit doors without milling
- Load capacity per pair 80 kg
- Adjustable 0/+3mm in height, +/-1,5mm horizontal and +/-2mm gasket pressure
- For panels between 35 and 40 mm

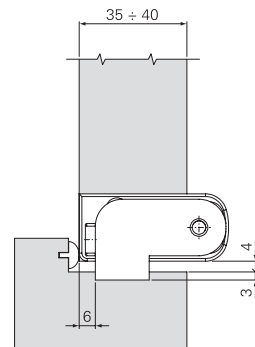
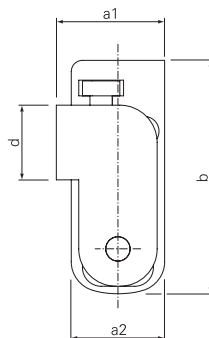
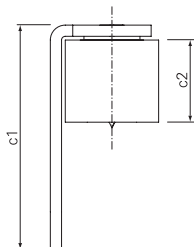
Product / Application	art. No	Material	Surface	Salt spray test hour	Pa-ckaging
CABR3DF003ZCO-KIT	1272805	Steel / Zamak	Matt Chrome	140	1
CABR3DF003ZMT-KIT	1197702	Steel / Zamak	Brassed	24	1

Accessories



CAB-R 3D-004

CAB-R 3D - Adjustable pivot hinge for internal doors



Technical information

a1 mm	a2 mm	b mm	c1 mm	c2 mm	d mm	
32.0	25.0	55.5	60.0	22.0	20.0	

4

Application

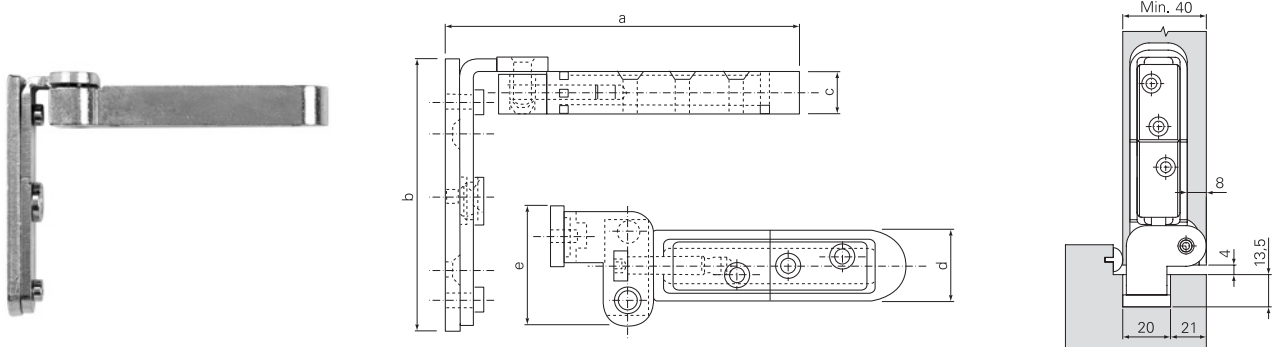
- For flush fit doors with milling
- Load capacity per pair 80 kg
- Adjustable 0/+3mm in height, +/-1,5mm horizontal and +/-2mm gasket pressure
- For panels between 35 and 40 mm

Product / Application	art. No	Material	Surface	Salt spray test hour	Pa-ckaging
CABR3DF004ZCO-KIT	1272806	Steel / Zamak	Matt Chrome	140	1
CABR3DF004ZMT-KIT	1197705	Steel / Zamak	Brassed	24	1

Accessories



CIR - Invisible pivot hinge for internal doors



Technical information

a mm	b mm	c mm	d mm	e mm	
118.0	90.0	14.0	24.0	41.0	

Application

- For timber flush fit doors
- Load capacity per pair 80 kg
- Adjustable +/-3mm horizontal and +/-1,5mm gasket pressure

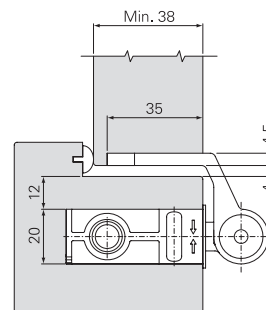
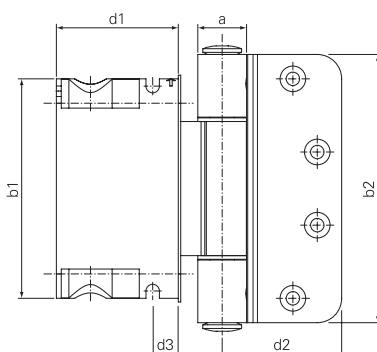
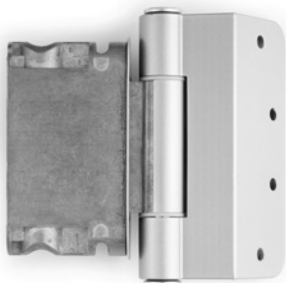
Product / Application	art. No	Material	Surface	Salt spray test hour	Pa-ckaging
CIRF003SZ	1272272	Steel / Zamak	Zinc	120	6

Accessories



E3D-20-030

Easy 3D Ø 20 - Adjustable hinge



Technical information

a mm	b1 mm	b2 mm	d1 mm	d2 mm	d3 mm
20.0	90.0	110.0	50.0	49.0	10.5

Application

- For flush fit entrance doors
- Load capacity with 2 hinges 140 kg
- Adjustable +3/-2mm in height, +/-3mm horizontal and +/-2mm gasket pressure



Product / Application	art. No	Material	Surface	Salt spray test hour	Pa-ckaging
E3DS030ACA	1360500	Steel / Aluminium	Matt Chrome		3

Accessories

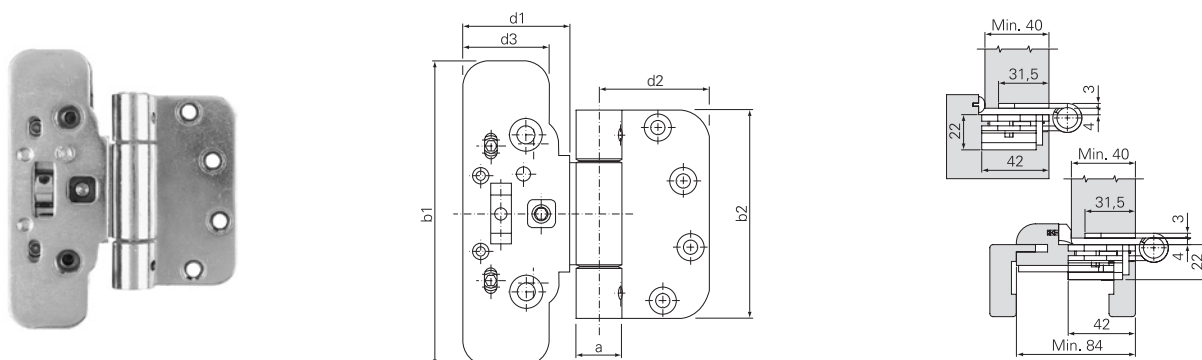


- BA
Page 9.49



- BA
Page 9.50

Just 3D - Adjustable hinge for solid timber and cover frames



Technical information

a mm	b1 mm	b2 mm	d1 mm	d2 mm	d3 mm	
18.0	120.0	82.0	42.0	43.0	34.0	

Application

- For flush fit doors
- Load capacity with 2 hinges 140 kg
- Adjustable +/-2,5mm in height horizontal and gasket pressure

Product / Application	art. No	Material	Surface	Salt spray test hour	Pa-ckaging
J3DS001/01XS	1272308	Stainless steel	Matt Stainless Steel		2
J3DS001/01NO	777656	Steel	Nickel matt	48	2
J3DS001/01SZ	1272307	Steel	Zinc	120	2

Accessories



- BA
Page 9.47



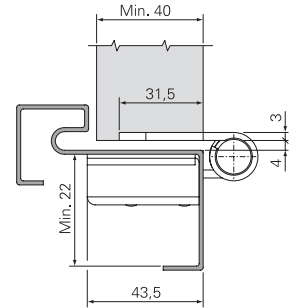
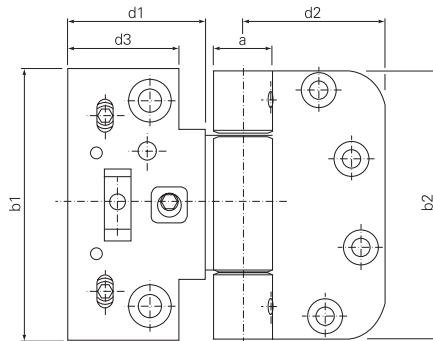
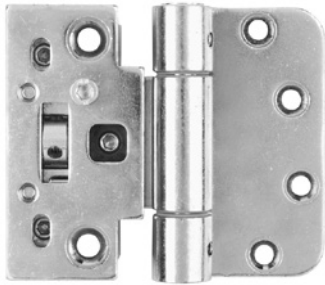
- BA
Page 9.46



- Just 3D
Page 9.35

J3D-000

Just 3D - Adjustable hinge for doors with steel frames



Technical information

a mm	b1 mm	b2 mm	d1 mm	d2 mm	d3 mm	
18.0	83.0	82.0	42.0	43.0	34.0	

4

Application

- For flush fit doors
- Load capacity with 2 hinges 140 kg
- Adjustable +/-2,5mm in height horizontal and gasket pressure

Product / Application	art. No	Material	Surface	Salt spray test hour	Pa-ckaging
J3DS000XS	1272306	Stainless steel	Matt Stainless Steel		2
J3DS000NO	777653	Steel	Nickel matt	48	2

Accessories

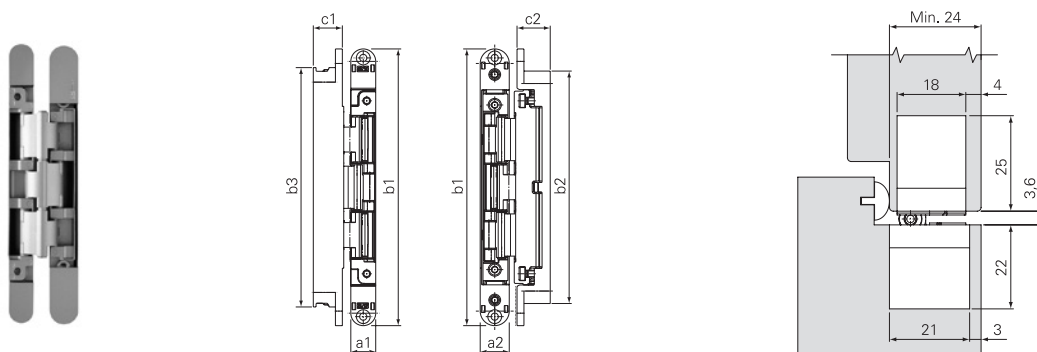


- BA
Page 9.47



- Just 3D
Page 9.34

W-Tec 3Ds - Concealed hinge for doors with narrow profiles and solid timber frame



Technical information

a1 mm	a2 mm	b1 mm	b2 mm	b3 mm	c1 mm	c2 mm	
18.0	21.0	200.0	168.0	173.0	22.0	25.0	

Application

- For flush fit doors
- Load capacity with 2 hinges 60 kg
- Adjustable +/-3mm in height and horizontal and +/-1mm gasket pressure



Product / Application	art. No	Material	Surface	Salt spray test hour	Pa-ckaging
WTEC3DSS000VCO	1493626	Steel / Zamak	Matt Chrome	432	2
WTEC3DSS000SZS	1500689	Steel / Zamak	Zinc GSS	504	2

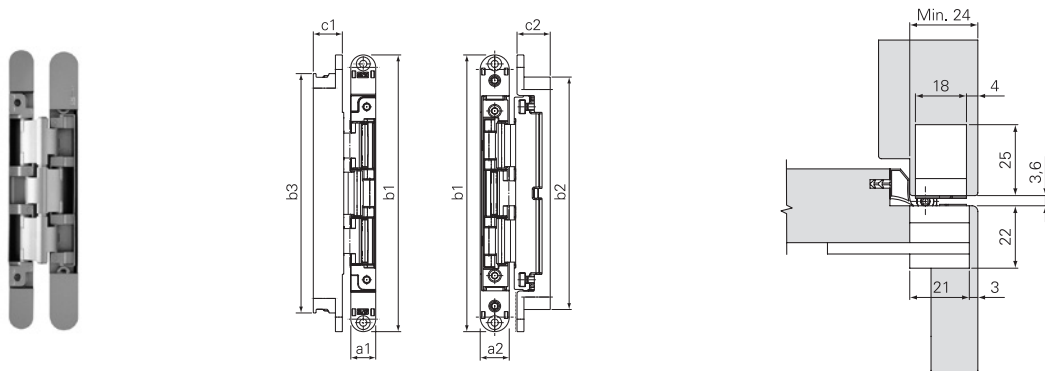
Accessories



- BA
Page 9.53

WTEC-3DS-000

W-Tec 3Ds - Concealed hinge for doors with narrow profiles and cover frame



Technical information

a1 mm	a2 mm	b1 mm	b2 mm	b3 mm	c1 mm	c2 mm	
18.0	21.0	200.0	168.0	173.0	22.0	25.0	

4

Application

- For flush fit doors
- Load capacity with 2 hinges 60 kg
- Adjustable +/-3mm in height and horizontal and +/-1mm gasket pressure



Product / Application	art. No	Material	Surface	Salt spray test hour	Pa-ckaging
WTEC3DSS000VCO	1493626	Steel / Zamak	Matt Chrome	432	2
WTEC3DSS000SZS	1500689	Steel / Zamak	Zinc GSS	504	2

Accessories

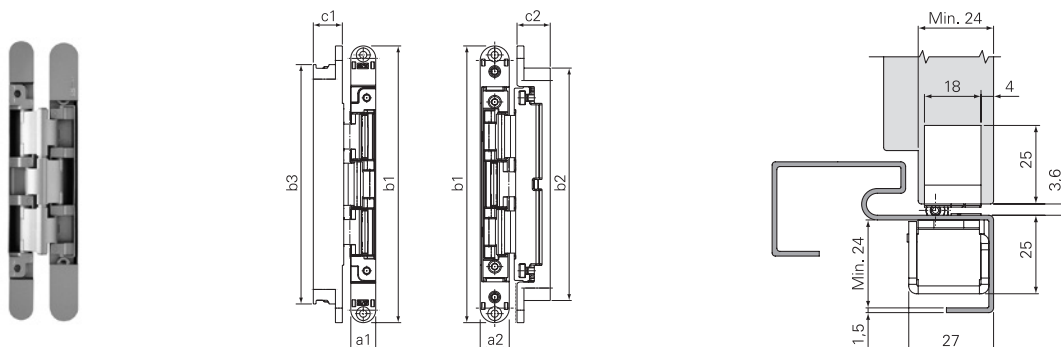


- BA
Page 9.53



- W-Tec 3Ds
Page 9.40

W-Tec 3Ds - Concealed hinge for doors with narrow profiles and steel frame



Technical information

a1 mm	a2 mm	b1 mm	b2 mm	b3 mm	c1 mm	c2 mm	
18.0	21.0	200.0	168.0	173.0	22.0	25.0	

Application

- For flush fit doors
- Load capacity with 2 hinges 60 kg
- Adjustable +/-3mm in height and horizontal and +/-1mm gasket pressure



Product / Application	art. No	Material	Surface	Salt spray test hour	Pa-ckaging
WTEC3DSS000VCO	1493626	Steel / Zamak	Matt Chrome	432	2
WTEC3DSS000SZS	1500689	Steel / Zamak	Zinc GSS	504	2

Accessories



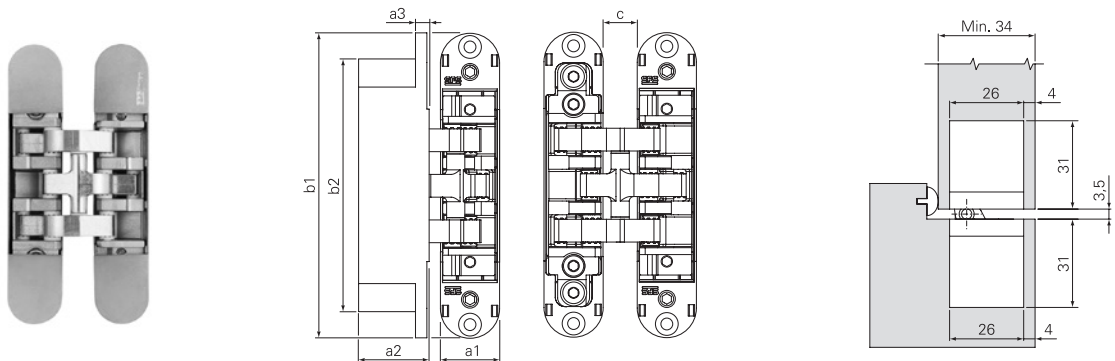
- BA
Page 9.53



- W-Tec 3Ds
Page 9.36

WTEC-3D-60-000

W-Tec 3D+ 60 - Concealed hinge for doors with solid timber frame



Technical information

a1 mm	a2 mm	a3 mm	b1 mm	b2 mm	c mm	
26.0	31.0	6.0	134.0	111.0	15.0	

4

Application

- For flush fit doors
- Load capacity with 2 hinges 50 kg
- Adjustable +/-3mm in height, +/-3mm horizontal and +/-1mm gasket pressure



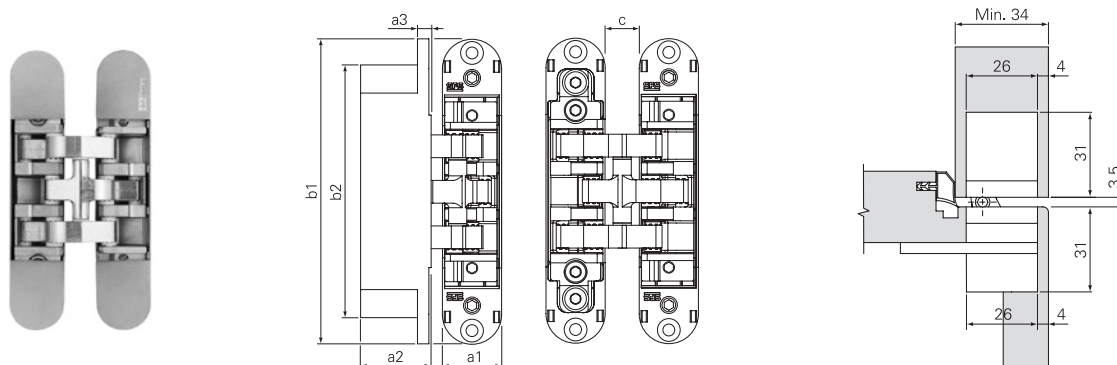
Product / Application	art. No	Material	Surface	Salt spray test hour	Pa-ckaging
WTEC3D60S000VCO	1428632	Steel / Zamak	Matt Chrome	432	3
WTEC3D60S000ZSX	1364563	Steel / Zamak	Brushed Matt Chrome	22	3
WTEC3D60S000SZS	1368013	Steel / Zamak	Zinc GSS	504	3

Accessories



- BA
Page 9.53

W-Tec 3D+ 60 - Concealed hinge for doors with cover frame



Technical information

a1 mm	a2 mm	a3 mm	b1 mm	b2 mm	c mm	
26.0	31.0	6.0	134.0	111.0	15.0	

Application

- For flush fit doors
- Load capacity with 2 hinges 50 kg
- Adjustable +/-3mm in height, +/-3mm horizontal and +/-1mm gasket pressure



Product / Application	art. No	Material	Surface	Salt spray test hour	Pa-ckaging
WTEC3D60S000VCO	1428632	Steel / Zamak	Matt Chrome	432	3
WTEC3D60S000ZSX	1364563	Steel / Zamak	Brushed Matt Chrome	22	3
WTEC3D60S000SZS	1368013	Steel / Zamak	Zinc GSS	504	3

Accessories



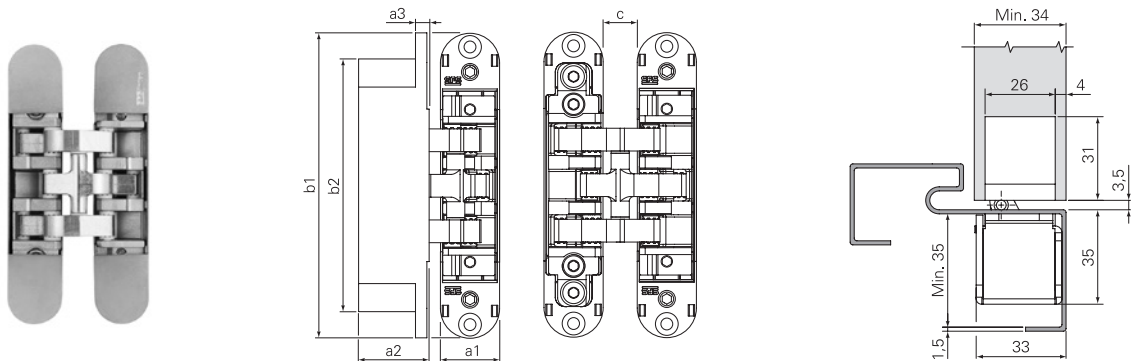
- BA
Page 9.53



- W-Tec 3D+ 60
Page 9.41

WTEC-3D-60-000

W-Tec 3D+ 60 - Concealed hinge for doors with steel frame



Technical information

a1 mm	a2 mm	a3 mm	b1 mm	b2 mm	c mm	
26.0	31.0	6.0	134.0	111.0	15.0	

4

Application

- For flush fit doors
- Load capacity with 2 hinges 50 kg
- Adjustable +/-3mm in height, +/-3mm horizontal and +/-1mm gasket pressure



Product / Application	art. No	Material	Surface	Salt spray test hour	Pa-ckaging
WTEC3D60S000VCO	1428632	Steel / Zamak	Matt Chrome	432	3
WTEC3D60S000ZSX	1364563	Steel / Zamak	Brushed Matt Chrome	22	3
WTEC3D60S000SZS	1368013	Steel / Zamak	Zinc GSS	504	3

Accessories

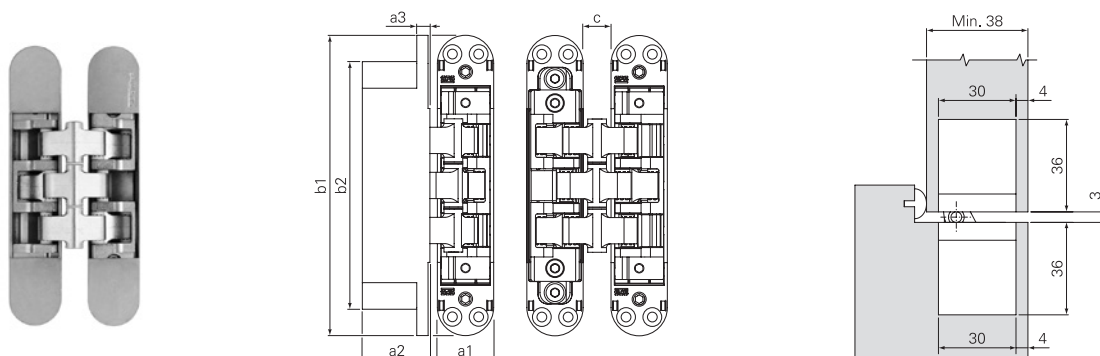


- BA
Page 9.53



- W-Tec 3D+ 60
Page 9.37

W-Tec 3D+ 100 - Concealed hinge for doors with solid timber frame



Technical information

a1 mm	a2 mm	a3 mm	b1 mm	b2 mm	c mm	
30.0	36.0	7.0	160.0	132.0	15.0	

Application

- For flush fit doors
- Load capacity with 2 hinges 80 kg
- Adjustable +/-3mm in height, +/-3mm horizontal and +/-1mm gasket pressure



Product / Application	art. No	Material	Surface	Salt spray test hour	Pa-ckaging
WTEC3D100S005VCO	1428633	Zamak	Matt Chrome	432	2
WTEC3D100S005ZSX	1363919	Zamak	Brushed Matt Chrome	22	2
WTEC3D100S005SZS	1367891	Zamak	Zinc GSS	504	2

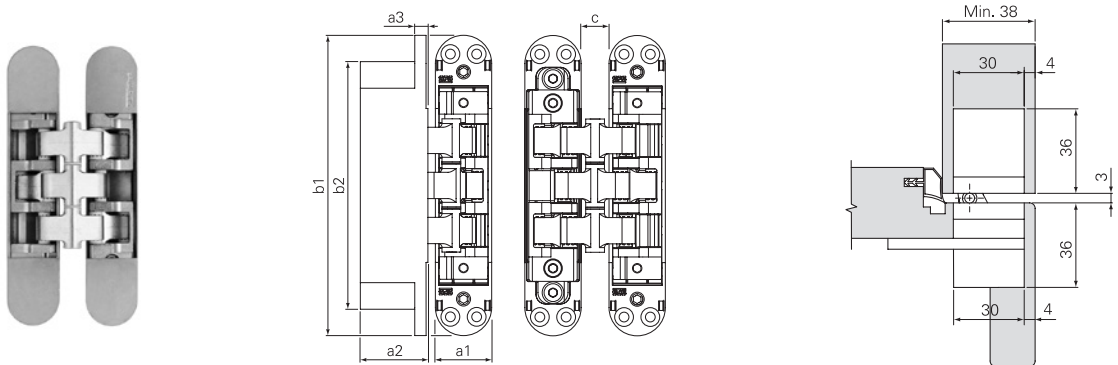
Accessories



- BA
Page 9.53

WTEC-3D-100-005

W-Tec 3D+ 100 - Concealed hinge for doors with cover frame



Technical information

a1 mm	a2 mm	a3 mm	b1 mm	b2 mm	c mm	
30.0	36.0	7.0	160.0	132.0	15.0	

4

Application

- For flush fit doors
- Load capacity with 2 hinges 80 kg
- Adjustable +/-3mm in height, +/-3mm horizontal and +/-1mm gasket pressure

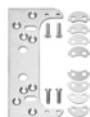


Product / Application	art. No	Material	Surface	Salt spray test hour	Pa-ckaging
WTEC3D100S005VCO	1428633	Zamak	Matt Chrome	432	2
WTEC3D100S005ZSX	1363919	Zamak	Brushed Matt Chrome	22	2
WTEC3D100S005SZS	1367891	Zamak	Zinc GSS	504	2

Accessories

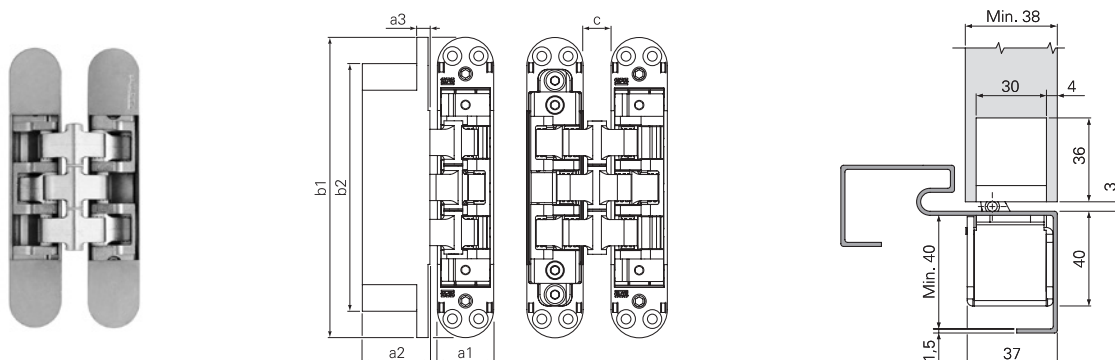


- BA
Page 9.53



- W-Tec 3D+ 100/160
Page 9.42

W-Tec 3D+ 100 - Concealed hinge for doors with steel frame



Technical information

a1 mm	a2 mm	a3 mm	b1 mm	b2 mm	c mm	
30.0	36.0	7.0	160.0	132.0	15.0	

Application

- For flush fit doors
- Load capacity with 2 hinges 80 kg
- Adjustable +/-3mm in height, +/-3mm horizontal and +/-1mm gasket pressure



Product / Application	art. No	Material	Surface	Salt spray test hour	Pa-ckaging
WTEC3D100S005VCO	1428633	Zamak	Matt Chrome	432	2
WTEC3D100S005ZSX	1363919	Zamak	Brushed Matt Chrome	22	2
WTEC3D100S005SZS	1367891	Zamak	Zinc GSS	504	2

Accessories



- BA
Page 9.53

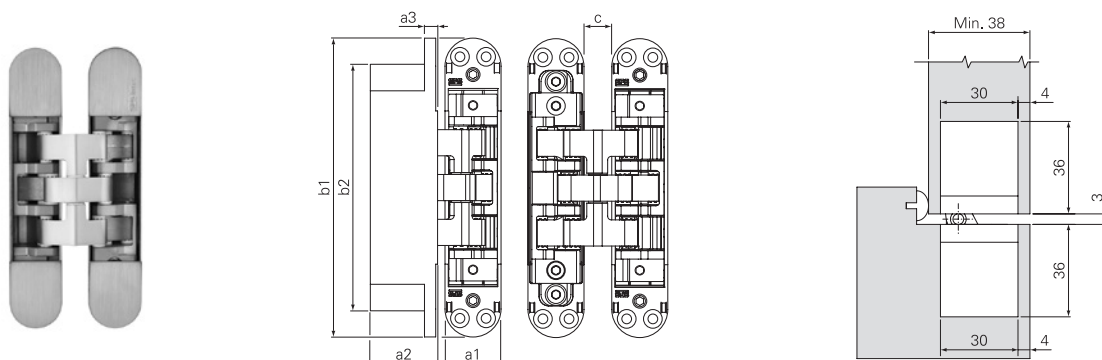


- W-Tec 3D+ 100/160
Page 9.38



WTEC-3D-160-000

W-Tec 3D+ 160 - Concealed hinge for doors with solid timber frame



Technical information

a1 mm	a2 mm	a3 mm	b1 mm	b2 mm	c mm	
30.0	36.0	7.0	160.0	132.0	15.0	

4

Application

- For flush fit doors
- Load capacity with 2 hinges 140 kg
- Adjustable +/-3mm in height, +/-3mm horizontal and +/-1mm gasket pressure



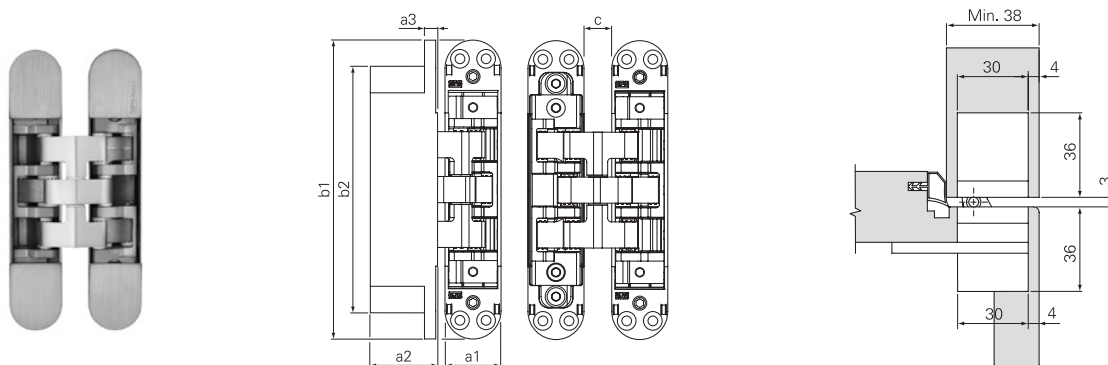
Product / Application	art. No	Material	Surface	Salt spray test hour	Pa-ckaging
WTEC3D160S000VCO	1428631	Steel / Zamak	Matt Chrome	432	2
WTEC3D160S000ZSX	1364572	Steel / Zamak	Brushed Matt Chrome	22	2
WTEC3D160S000SZS	1368077	Steel / Zamak	Zinc GSS	504	2

Accessories



- BA
Page 9.53

W-Tec 3D+ 160 - Concealed hinge for doors with cover frame



Technical information

a1 mm	a2 mm	a3 mm	b1 mm	b2 mm	c mm	
30.0	36.0	7.0	160.0	132.0	15.0	

Application

- For flush fit doors
- Load capacity with 2 hinges 140 kg
- Adjustable +/-3mm in height, +/-3mm horizontal and +/-1mm gasket pressure



Product / Application	art. No	Material	Surface	Salt spray test hour	Pa-ckaging
WTEC3D160S000VCO	1428631	Steel / Zamak	Matt Chrome	432	2
WTEC3D160S000ZSX	1364572	Steel / Zamak	Brushed Matt Chrome	22	2
WTEC3D160S000SZS	1368077	Steel / Zamak	Zinc GSS	504	2

Accessories



- BA
Page 9.53

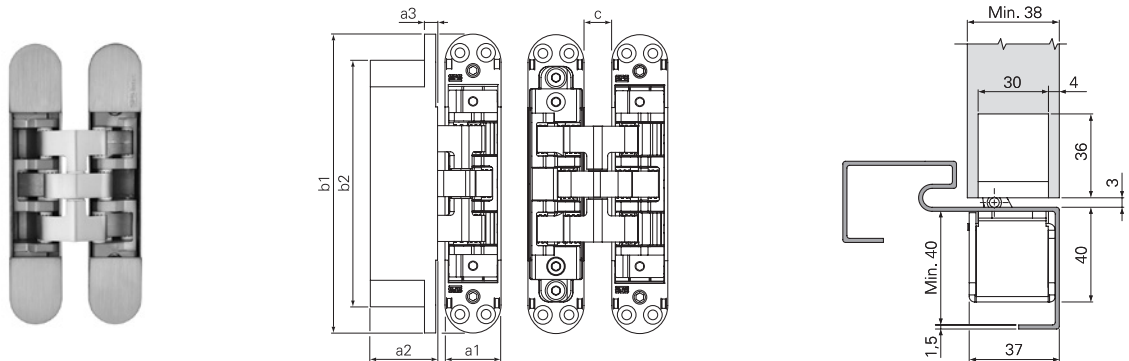


- W-Tec 3D+ 100/160
Page 9.42



WTEC-3D-160-000

W-Tec 3D+ 160 - Concealed hinge for doors with steel frame



Technical information

a1 mm	a2 mm	a3 mm	b1 mm	b2 mm	c mm	
30.0	36.0	7.0	160.0	132.0	15.0	

4

Application

- For flush fit doors
- Load capacity with 2 hinges 140 kg
- Adjustable +/-3mm in height, +/-3mm horizontal and +/-1mm gasket pressure



Product / Application	art. No	Material	Surface	Salt spray test hour	Pa-ckaging
WTEC3D160S000VCO	1428631	Steel / Zamak	Matt Chrome	432	2
WTEC3D160S000ZSX	1364572	Steel / Zamak	Brushed Matt Chrome	22	2
WTEC3D160S000SZS	1368077	Steel / Zamak	Zinc GSS	504	2

Accessories

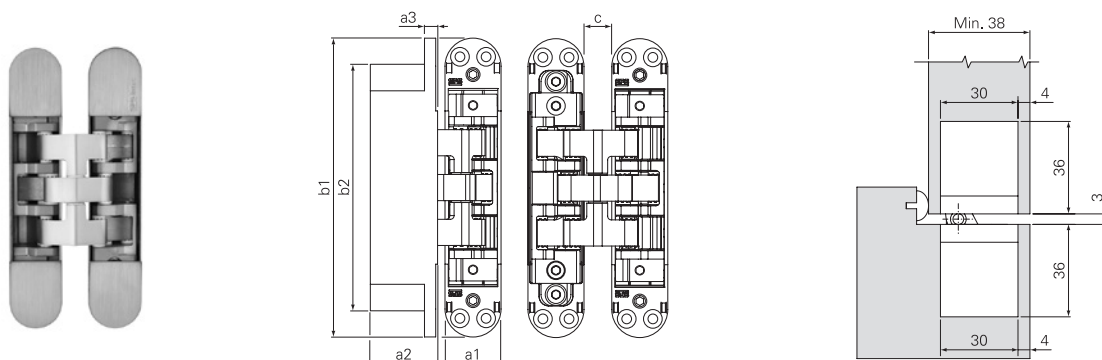


- BA
Page 9.53



- W-Tec 3D+ 100/160
Page 9.38

W-Tec 3Df - Concealed hinge for antifire doors with solid timber frame



Technical information

a1 mm	a2 mm	a3 mm	b1 mm	b2 mm	c mm	
30.0	36.0	7.0	160.0	132.0	15.0	

Application

- For flush fit doors
- Load capacity with 2 hinges 140 kg
- Adjustable +/-3mm in height, +/-3mm horizontal and +/-1mm gasket pressure



Product / Application	art. No	Material	Surface	Salt spray test hour	Pa-ckaging
WTEC3DF160S000VCO	1481815	Steel / Zamak	Matt Chrome	432	2



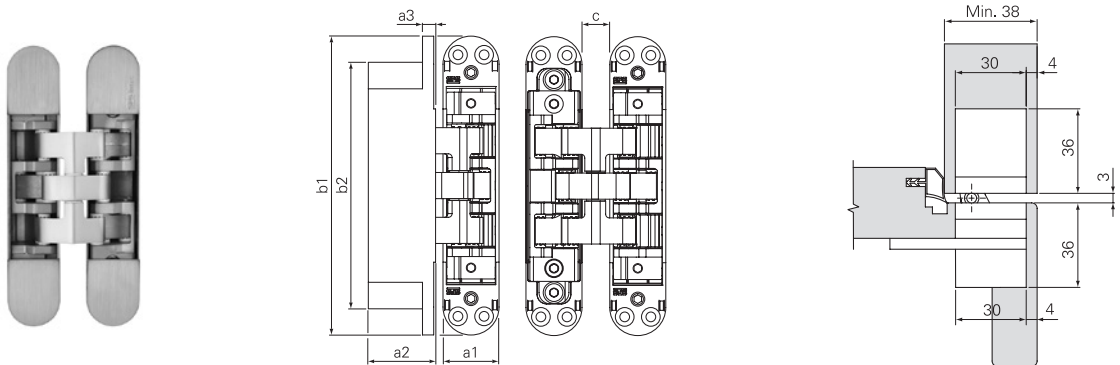
Accessories



- BA
Page 9.53

WTEC-3Df-160-000

W-Tec 3Df - Concealed hinge for antifire doors with cover frame



Technical information

a1 mm	a2 mm	a3 mm	b1 mm	b2 mm	c mm	
30.0	36.0	7.0	160.0	132.0	15.0	

4

Application

- For flush fit doors
- Load capacity with 2 hinges 140 kg
- Adjustable +/-3mm in height, +/-3mm horizontal and +/-1mm gasket pressure



Product / Application	art. No	Material	Surface	Salt spray test hour	Pa-ckaging
WTEC3DF160S000VCO	1481815	Steel / Zamak	Matt Chrome	432	2

Accessories

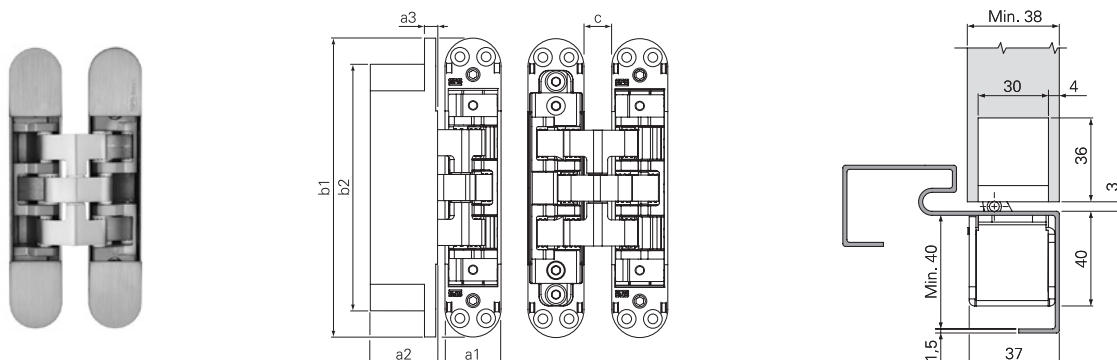


- BA
Page 9.53



- W-Tec 3D+ 100/160
Page 9.42

W-Tec 3Df - Concealed hinge for antifire doors with steel frame



Technical information

a1 mm	a2 mm	a3 mm	b1 mm	b2 mm	c mm	
30.0	36.0	7.0	160.0	132.0	15.0	

Application

- For flush fit doors
- Load capacity with 2 hinges 140 kg
- Adjustable +/-3mm in height, +/-3mm horizontal and +/-1mm gasket pressure



Product / Application	art. No	Material	Surface	Salt spray test hour	Pa-ckaging
WTEC3DF160S000VCO	1481815	Steel / Zamak	Matt Chrome	432	2

Accessories



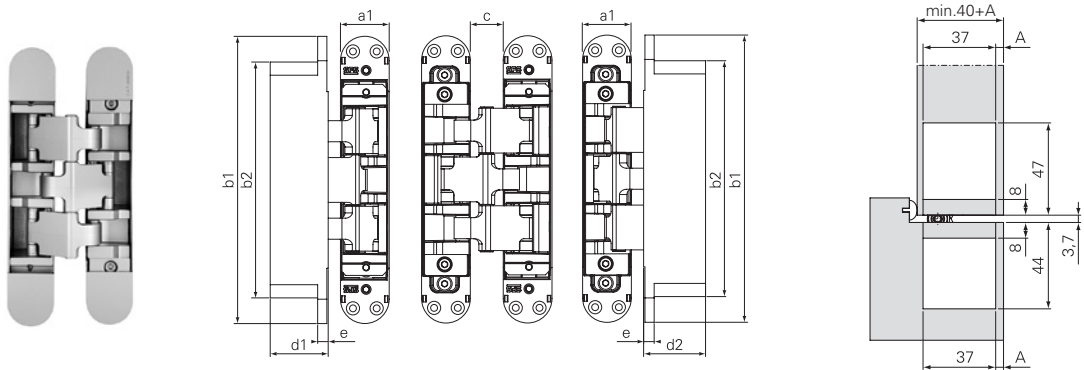
- BA
Page 9.53



- W-Tec 3D+ 100/160
Page 9.38

WTEC-3DL-000

W-Tec 3DL - Concealed hinge for heavy doors with solid timber frame



Technical information

a1 mm	b1 mm	b2 mm	c mm	d1 mm	d2 mm	e mm	
37.0	218.0	179.0	25.0	44.0	47.0	8.0	

4

Application

- For flush fit doors
- Load capacity with 2 hinges 200 kg
- Adjustable +/-3mm in height and horizontal and +/-1mm gasket pressure



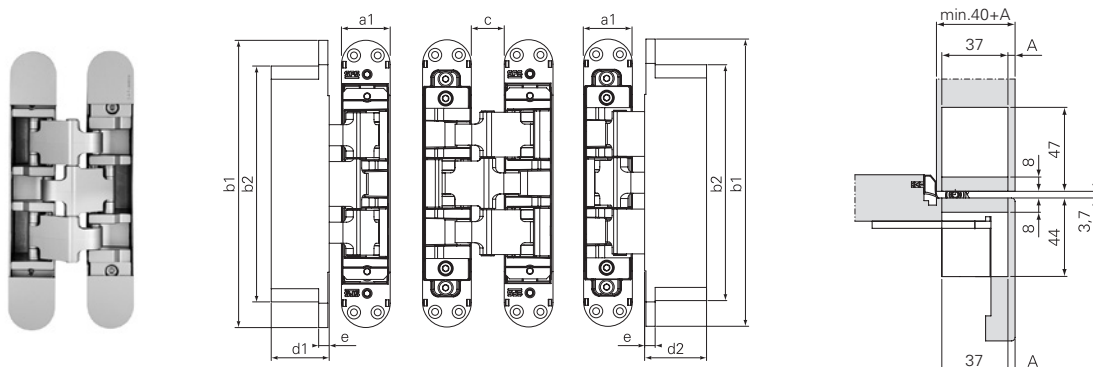
Product / Application	art. No	Material	Surface	Salt spray test hour	Pa-ckaging
WTEC3DLS000SZS	1558802	Steel / Zamak	Zinc GSS	504	2
WTEC3DLS000VCO	1558801	Steel / Zamak	Matt Chrome	432	2

Accessories



- BA
Page 9.54

W-Tec 3DL - Concealed hinge for heavy doors with cover frame



Technical information

a1 mm	b1 mm	b2 mm	c mm	d1 mm	d2 mm	e mm	
37.0	218.0	179.0	25.0	44.0	47.0	8.0	

Application

- For flush fit doors
- Load capacity with 2 hinges 200 kg
- Adjustable +/-3mm in height and horizontal and +/-1mm gasket pressure



Product / Application	art. No	Material	Surface	Salt spray test hour	Pa-ckaging
WTEC3DLS000SZS	1558802	Steel / Zamak	Zinc GSS	504	2
WTEC3DLS000VCO	1558801	Steel / Zamak	Matt Chrome	432	2

Accessories



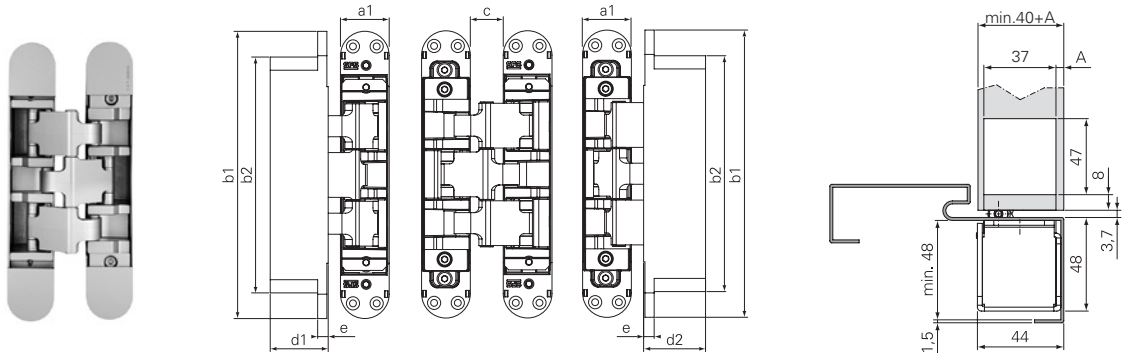
- BA
Page 9.54



- W-Tec 3DL
Page 9.43

WTEC-3DL-000

W-Tec 3DL - Concealed hinge for heavy doors with steel frame



Technical information

a1 mm	b1 mm	b2 mm	c mm	d1 mm	d2 mm	e mm	
37.0	218.0	179.0	25.0	44.0	47.0	8.0	

4

Application

- For flush fit doors
- Load capacity with 2 hinges 200 kg
- Adjustable +/-3mm in height and horizontal and +/-1mm gasket pressure



Product / Application	art. No	Material	Surface	Salt spray test hour	Pa-ckaging
WTEC3DLS000SZS	1558802	Steel / Zamak	Zinc GSS	504	2
WTEC3DLS000VCO	1558801	Steel / Zamak	Matt Chrome	432	2

Accessories



- BA
Page 9.54



- W-Tec 3DL
Page 9.39

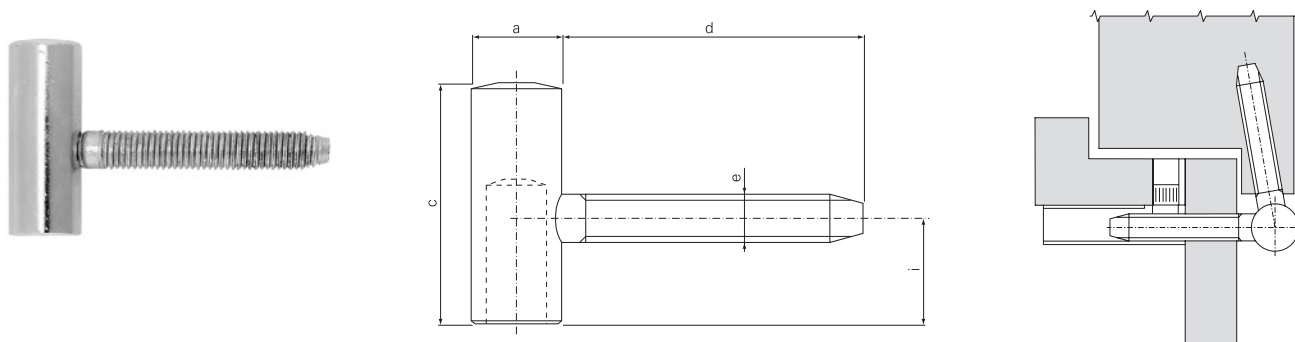
Hinges for German application

Product code	Application	Page
10L Ø 15	Hinge for internal doors (sash part)	5.2
10L Ø 15	Hinge for internal doors (frame part)	5.3
10L Ø 15	Hinge for internal doors (frame part)	5.4
220 Ø 15	Hinge for internal doors (sash part)	5.5
220 Ø 15	Hinge with plate for internal doors (sash part)	5.6
220 Ø 15	Hinge for internal doors (for timber frame part)	5.7
220 Ø 15	Hinge for internal doors (for steel frame part)	5.8



10L-15-F21

10L Ø 15 - Hinge for internal doors (Sash part)



Technical information

a mm	c mm	d mm	e mm	i mm	
15.0	39.5	50.0	8.0	17.5	

Application

- For timber doors
- Load capacity with 2 hinges 50 kg

Product / Application	art. No	Material	Surface	Salt spray test hour	Packaging
10L15HF21XS	1277117	Steel	Matt stainless steel		50
10L15BF21SN	401774	Steel	Nickel	20	400
10L15BF21SZ	414426	Steel	Zinc	120	400

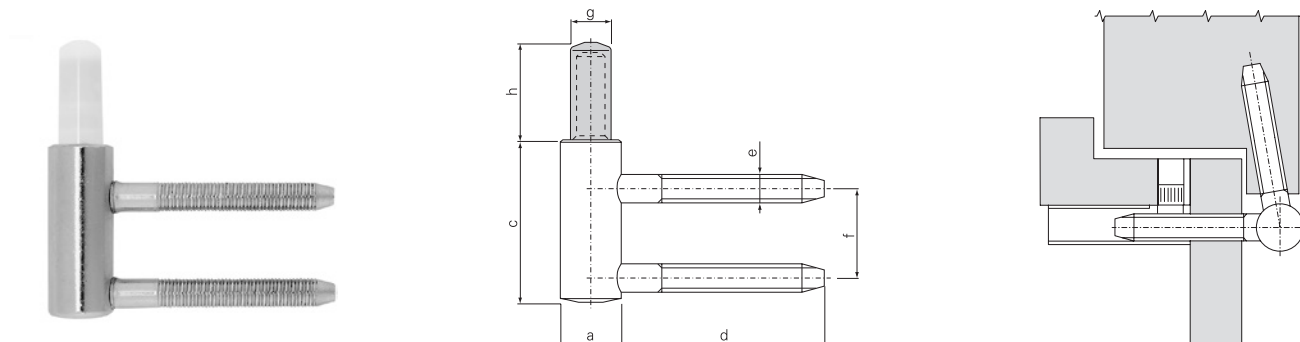
5

Accessories



- 10L Ø 15
- Page 5.3

10L Ø 15 - Hinge for internal doors (Frame part with self lubricating pin)



Technical information

a mm	c mm	d mm	e mm	f mm	g mm	h mm	
15.0	40.0	50.0	7.0	22.0	10.0	24.0	

Application

- For cover frames

Product / Application	art. No	Material	Surface	Salt spray test hour	Packaging
10L15EM26XS	1272315	Stainless steel	Matt Stainless Steel		20
10L15BM26SN	1272055	Steel	Nickel	20	200
10L15BM26SZ	678588	Steel	Zinc	120	200

Accessories



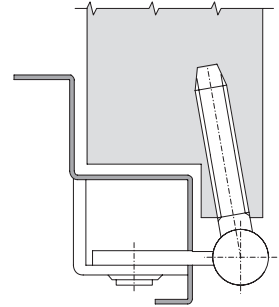
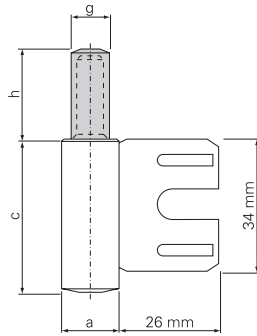
- 10L Ø 15
Page 5.2



- 10L/220 Ø 15
Page 9.33

10L-15-M23

10L Ø 15 - Hinge for internal doors (Frame part with self lubricating pin)



Technical information

a mm	c mm	g mm	h mm	
15.0	40.0	10.0	24.0	

Application

- For steel frames

5

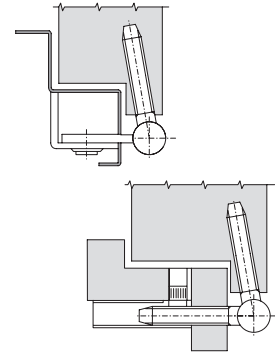
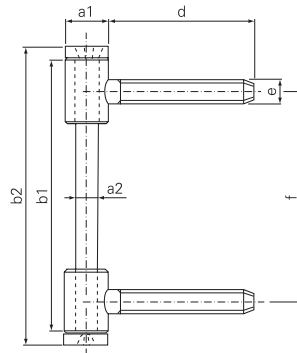
Product / Application	art. No	Material	Surface	Salt spray test hour	Packaging
10L15BM23SN	1272041	Steel	Nickel	20	200

Accessories



- 10L Ø 15
- Page 5.2

220 Ø 15 - Hinge for internal doors (Sash part with self lubricating bushes)



Technical information

a1 mm	a2 mm	b1 mm	b2 mm	d mm	e mm	f mm	
15.0	8.0	93.0	101.5	50.0	8.0	71.0	

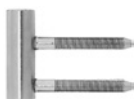
Application

- For timber doors
- Metric bolts



Product / Application	art. No	Material	Surface	Salt spray test hour	Packaging
22015ELSV01XS	836098	Stainless steel	Matt Stainless Steel		20
22015ELSV01SN	1508049	Steel	Nickel	48	25

Accessories



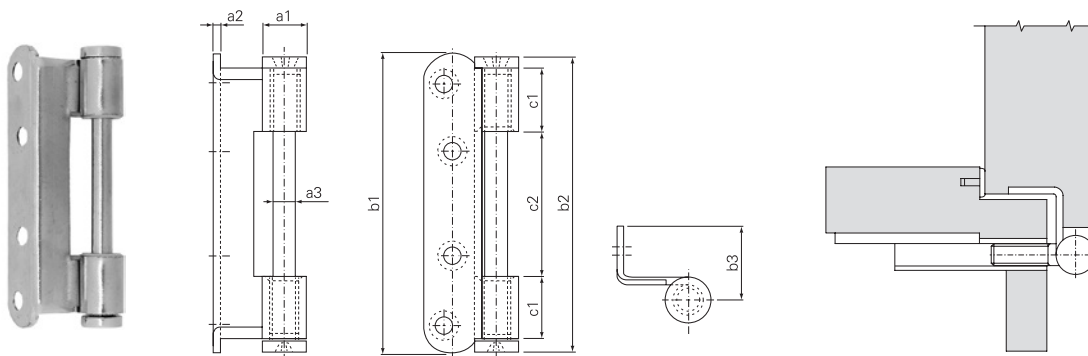
- 220 Ø 15
Page 5.7



- 220 Ø 15
Page 5.8

220-15-PSV08

220 Ø 15 - Hinge for internal doors (Sash part with self lubricating bushes)



Technical information

a1 mm	a2 mm	a3 mm	b1 mm	b2 mm	b3 mm	c1 mm	c2 mm	
15.0	2.5	8.0	103.0	101.5	25.0	22.0	49.0	

Application

- For timber doors
- Load capacity with 2 hinges 85 kg



5

Product / Application	art. No	Material	Surface	Salt spray test hour	Packaging
22015EPSV08SN	683566	Steel	Nickel	20	20

Accessories

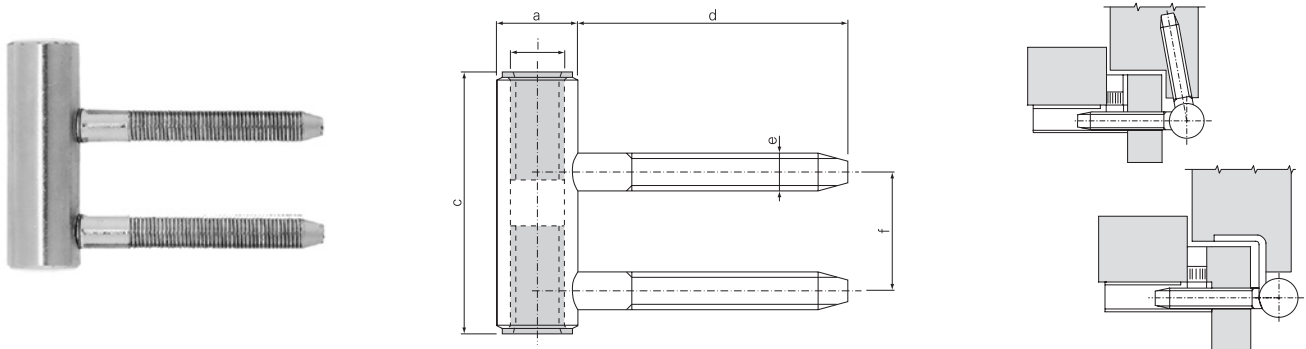


- 220 Ø 15
Page 5.7



- 220 Ø 15
Page 5.8

220 Ø 15 - Hinge for internal doors (Frame part with self lubricating bushes)



Technical information

a1 mm	a2 mm	b mm	d mm	e mm	f mm	
15.0	8.0	48.3	26.0	34.0	7.2	

Application

- For cover frames
- Load capacity depending on the sash part



Product / Application	art. No	Material	Surface	Salt spray test hour	Packaging
22015EC03XS	843374	Stainless steel	Matt Stainless Steel		20
22015BC03SN	489294	Steel	Nickel	20	100

Accessories



- 220 Ø 15
Page 5.5



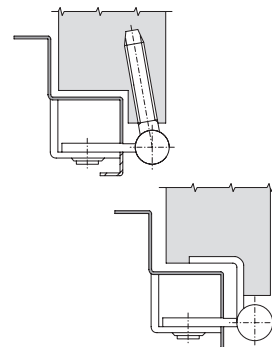
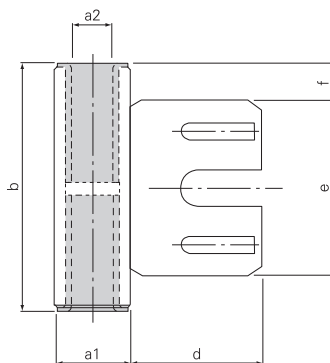
- 220 Ø 15
Page 5.6



- 10L/220 Ø 15
Page 9.33

220-15-C02

220 Ø 15 - Hinge for internal doors (Central barrel with self lubricating bushes)



Technical information

a1 mm	a2 mm	b mm	d mm	e mm	f mm	
15.0	8.0	48.3	26.0	34.0	7.2	

Application

- For steel frames
- Load capacity depending on the sash part



Product / Application	art. No	Material	Surface	Salt spray test hour	Packaging
22015BC02SN	428789	Steel	Nickel	48	25

5

Accessories




- 220 Ø 15
Page 5.5



- 220 Ø 15
Page 5.6

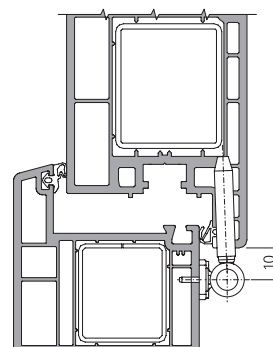
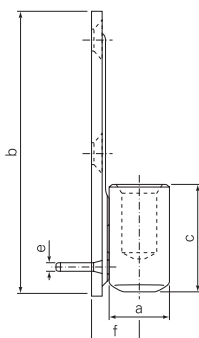
Hinges for PVC-U doors and windows



Product code	Application	Page
169 Ø 13	2 part hinge for doors and windows (frame part)	6.2
169 Ø 13	2 part hinge for doors and windows (sash part)	6.3
169 Ø 13	2 part hinge for doors and windows	6.4
169W Ø 13	2 part Wasistass hinge for funlight	6.5 - 6.6
169 Ø 15	2 part hinge for doors and windows (frame part)	6.7
10L Ø 15	2 part hinge for doors and windows (sash part)	6.8
169 Ø 15	Pin for hinge 10L Ø 15	6.9
230 Ø 14	Hinge with unthread pin for doors and windows	6.10
Dynamic 2D	Adjustable hinge for entrance doors	6.11
Estetic 2D	Adjustable hinge for doors and balcony doors	6.12
Estetic 2D-S Ø 15	Adjustable hinge for entrance doors	6.13
Estetic 2D-S Ø 20	Adjustable hinge for entrance doors	6.14

169-13-F03

169 Ø 13 - 2 part hinge for doors and windows (Frame part)



Technical information

a	b mm	c mm	e mm	f mm	
13.0	60.0	22.5	2.0	10.5	

Application

- For PVC-U doors and windows
- Load capacity with 2 hinges 30 kg

Product / Application	art. No	Material	Surface	Salt spray test hour	Packaging
16913HF03PA	839431	Steel	White RAL 9010	1000	100
16913HF03PC	836575	Steel	Light Ivory RAL 1015	1000	100
16913HF03BS	1272318	Steel	Traffic White RAL 9016	1000	100
16913HF03GC	836582	Steel	Grey RAL 7035	1000	100
16913HF03PM	836573	Steel	Brown RAL 8017	1000	100
16913HF03NM	839436	Steel	Black Brown RAL 8022	1000	100
16913HF03MPN	716266	Steel	Black RAL 9005 Matt	1000	100

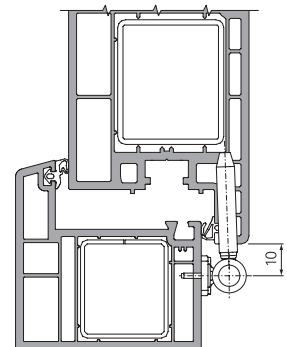
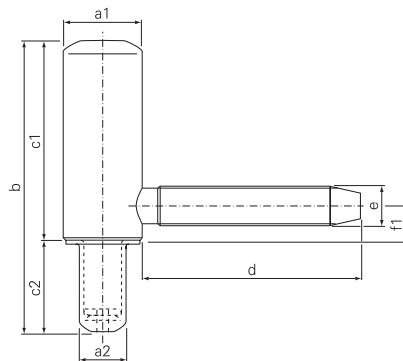
6

Accessories



- 169 Ø 13
Page 6.3

169 Ø 13 - 2 part hinge for doors and windows (Sash part)



Technical information

a1 mm	a2 mm	b mm	c1 mm	c2 mm	d mm	e mm	f1 mm	
13.0	7.5	51.0	35.5	15.5	40.0	7.0	6.0	

Application

- For PVC-U doors and windows
- Load capacity with 2 hinges 30 kg

Product / Application	art. No	Material	Surface	Salt spray test hour	Packaging
16913HM04PA	947133	Steel	White RAL 9010	1000	200
16913HM04PC	876810	Steel	Light Ivory RAL 1015	1000	100
16913HM04BS	904101	Steel	Traffic White RAL 9016	1000	200
16913HM04GC	876812	Steel	Grey RAL 7035	1000	100
16913HM04PM	906937	Steel	Brown RAL 8017	1000	100
16913HM04CC	708820	Steel	Cream RAL 9001	1000	100
16913HM04MPN	932245	Steel	Black RAL 9005 Matt	1000	100

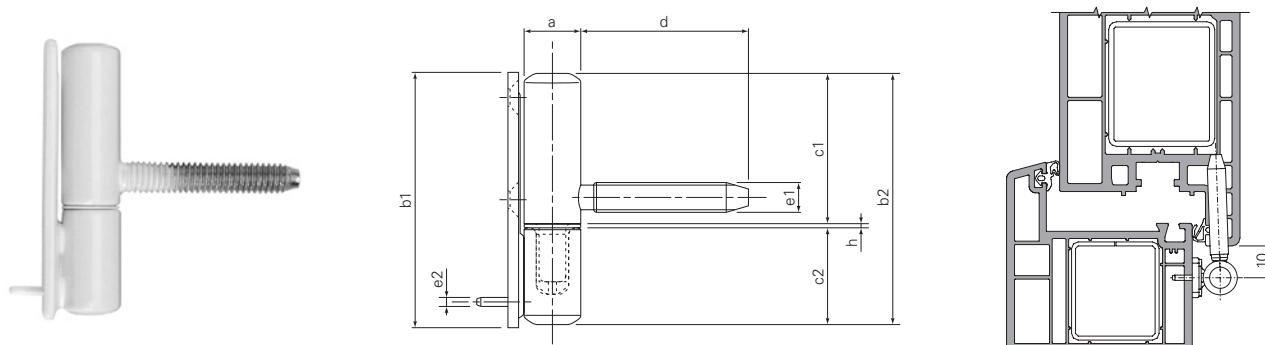
Accessories



- 169 Ø 13
Page 6.2

169-13-003

169 Ø 13 - Stainless steel 2 part hinge for doors and windows



Technical information

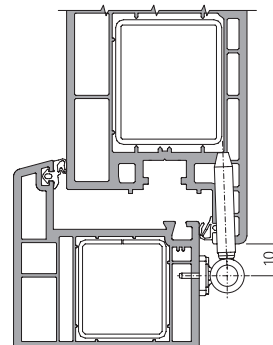
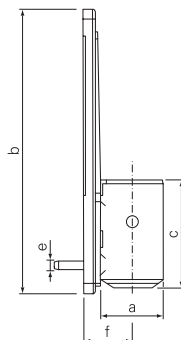
a mm	b1 mm	b2 mm	c1 mm	c2 mm	d mm	e1 mm	e2 mm	h mm	
13.0	60.0	58.0	35.0	22.5	40.0	7.0	2.0	0.5	

Application

- For PVC-U doors and windows
- Load capacity with 2 hinges 30 kg

Product / Application	art. No	Material	Surface	Salt spray test hour	Packaging
16913F003XN	731314	Stainless steel	Natural		30
16913F003XXBS	1272229	Stainless steel	Traffic White RAL 9016		30

169W Ø 13 - 2 parts Wasistass hinge for funlight (Frame part with self lubricating bush)



Technical information

a mm	b mm	c mm	e mm	f mm	
13.0	60.0	23.0	2.0	10.5	

Application

- For turn and tilt windows
- Load capacity with 2 hinges 30 kg

Product / Application	art. No	Material	Surface	Salt spray test hour	Packaging
169W13HF05BS	1281947	Steel	Traffic White RAL 9016	1000	100

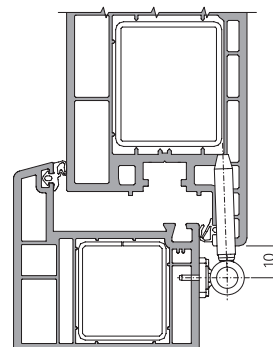
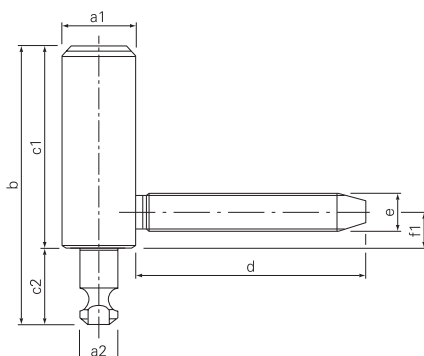
Accessories



- 169W Ø 13

169W-13-M05

169W Ø 13 - 2 parts Wasistass hinge for funlight (Sash part)



Technical information

a1 mm	a2 mm	b mm	c1 mm	c2 mm	d mm	e mm	f1 mm	
13.0	6.2	48.5	35.0	13.5	40.0	7.0	6.0	

Application

- For turn and tilt windows
- Load capacity with 2 hinges 30 kg

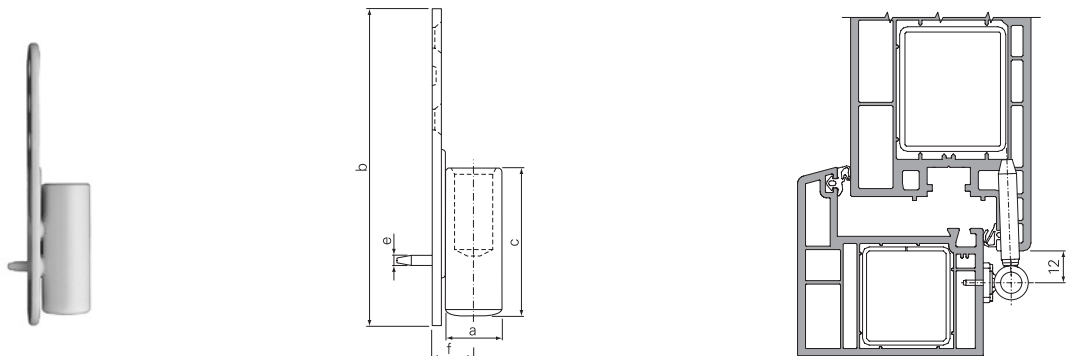
Product / Application	art. No	Material	Surface	Salt spray test hour	Packaging
169W13HM05BS	1281949	Steel	Traffic White RAL 9016	1000	100

Accessories



- 169W Ø 13
Page 6.5

169 Ø 15 - 2 part hinge for doors and windows (Frame part)



Technical information

a mm	b mm	c mm	e mm	f mm	
15.0	86.0	39.5	3.0	11.0	

Application

- For PVC-U doors and windows
- Load capacity with 2 hinges 40 kg

Product / Application	art. No	Material	Surface	Salt spray test hour	Packaging
16915HF05PA	671176	Steel	White RAL 9010	1000	100
16915HF05PC	903706	Steel	Beige RAL 1015	1000	100
16915HF05BS	754774	Steel	Traffic White RAL 9016	1000	100
16915HF05PM	749658	Steel	Brown RAL 8017	1000	100
16915HF05NM	671214	Steel	Black Brown RAL 8022	1000	100
16915HF05ST	911335	Steel	Yellow Zinc	160	100
16915HF05SZ	997098	Steel	Zinc	120	100

Accessories



- 10L Ø 15
Page 6.8



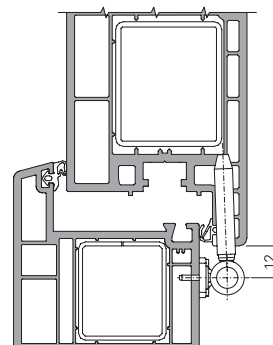
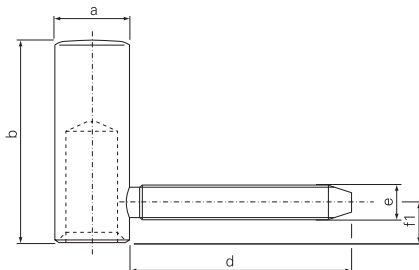
- 169 Ø 15
Page 6.9



- 180 Ø 15
Page 9.9

10L-15-F47

10L Ø 15 - 2 part hinge for doors and windows (Sash part with pin)



Technical information

a mm	b mm	d mm	e mm	f1 mm	
15.0	39.5	44.0	7.0	8.0	

Application

- For PVC-U doors and windows
- Load capacity with 2 hinges 40 kg

Product / Application	art. No	Material	Surface	Salt spray test hour	Packaging
10L15HF47CBS	512365	Steel	White RAL 9010	1000	100
10L15HF47CNM	876819	Steel	Black Brown RAL 8022	1000	100

Accessories

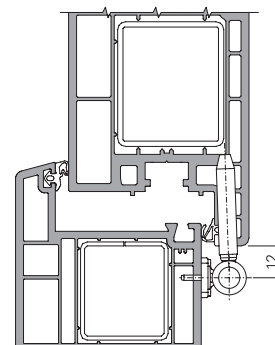
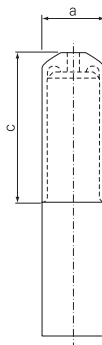


- 169 Ø 15
Page 6.7



- 169 Ø 15
Page 6.9

169 Ø 15 - Self lubricating pin for hinge 10L Ø 15



Technical information

a mm	c mm	
10.0	24.0	

Application

- For PVC-U doors and windows

Product / Application	art. No	Material	Surface	Salt spray test hour	Packaging
16915EP09SZ	1272394	Steel	Zinc	120	100

Accessories



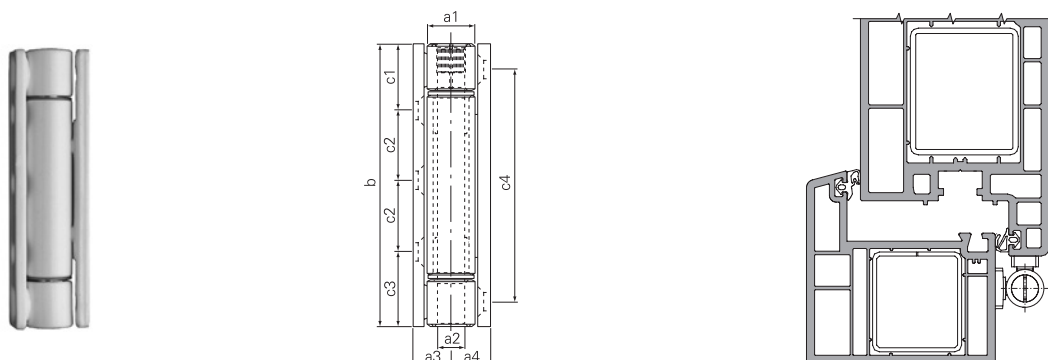
- 10L Ø 15
Page 6.8



- 169 Ø 15
Page 6.7

230-14-007

230 Ø 14 - Hinge with unthread pin and self lubricating bushes for doors and windows



Technical information

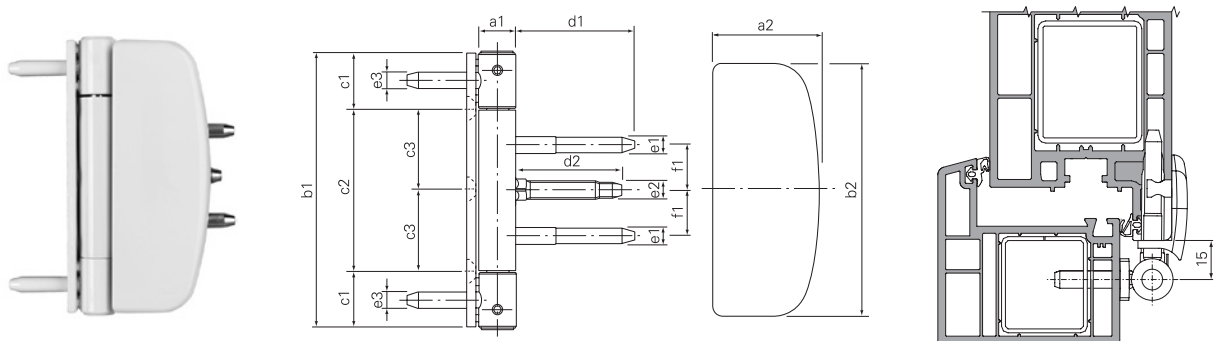
a1 mm	a2 mm	a3 mm	a4 mm	b mm	c1 mm	c2 mm	c3 mm	c4 mm	
14.0	8.0	11.0	12.0	83.0	19.2	20.7	22.2	68.0	

Application

- For PVC-U doors and windows
- Load capacity with 2 hinges 40 kg

Product / Application	art. No	Material	Surface	Salt spray test hour	Packaging
23014F007BS	710382	Steel	Traffic White RAL 9016	1000	50
23014F007NM	1272136	Steel	Black Brown RAL 8022	1000	50

Dynamic 2D - Adjustable hinge for entrance doors



Technical information

a1 mm	a2 mm	b1 mm	b2 mm	c1 mm	c2 mm	c3 mm	d1 mm	d2 mm	e1 mm	e2 mm	e3 mm	f1 mm	
16.0	40.5	114.0	114.0	28.5	57.0	28.5	50.0	45.0	7.0	8.7	6.7	19.0	

Application

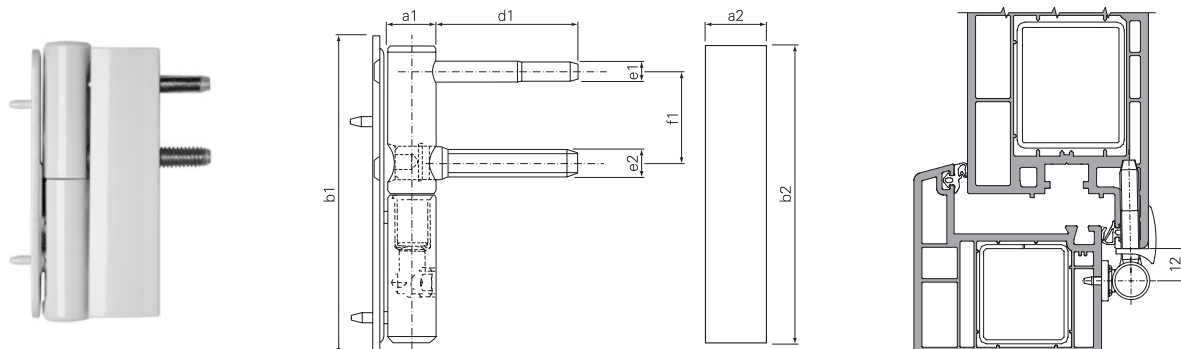
- For PVC-U entrance doors
- Load capacity with 2 hinges 100 kg
- Adjustable +/-4mm in height and horizontal



Product / Application	art. No	Material	Surface	Salt spray test hour	Packaging
D2D16F010BS	1316494	Steel	Traffic White RAL 9016	1000	24
D2D16F010PMT	1317104	Steel	Clay Brown RAL 8003	1000	24
D2D16F010PM	1317103	Steel	Brown RAL 8017	1000	24
D2D16F010LPN	1317105	Steel	Black RAL 9005	1000	24
D2D16F010GAM	1317108	Steel	Painted silver grey	1000	24

169R-14-002

Estetic 2D - Adjustable hinge for windows and balcony doors



Technical information

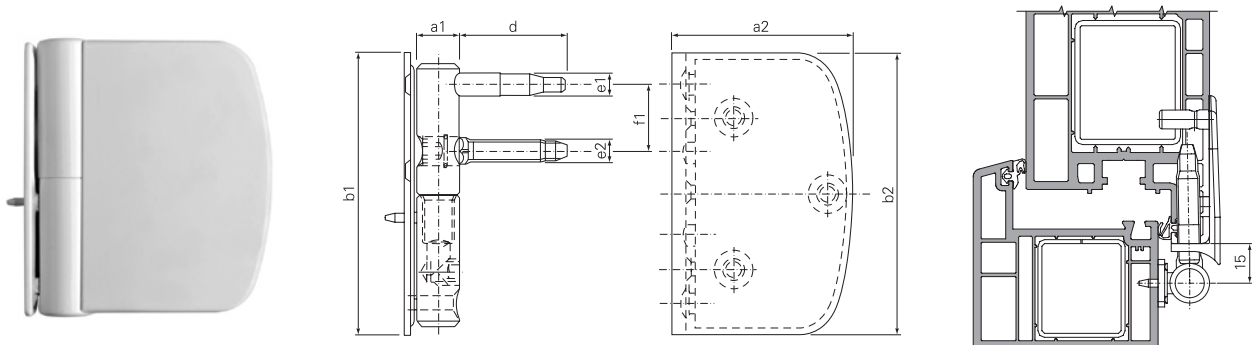
a1 mm	a2 mm	b1 mm	b2 mm	d1 mm	e1 mm	e2 mm	f1 mm	
14.0	21.5	86.0	86.0	45.0	7.0	6.1	24.0	

Application

- For PVC-U doors and windows
- Load capacity with 2 hinges 60 kg
- Adjustable 0/+3mm in height and +/-3mm horizontal

Product / Application	art. No	Material	Surface	Salt spray test hour	Packaging
169R14H002DZPC-ALU	1069939	Steel	Light Ivory RAL 1015	640	24
169R14H002DZBS-ALU	1272610	Steel	Traffic White RAL 9016	640	24
169R14H002DZGC-ALU	1069940	Steel	Grey RAL 7035	640	24
169R14H002DZPMT-ALU	1069941	Steel	Clay Brown RAL 8003	640	24

Estetic 2D "S" - Adjustable hinge for entrance doors



Technical information

a1 mm	a2 mm	b1 mm	b2 mm	d mm	e1 mm	e2 mm	f1 mm	
15.0	64.0	98.0	98.0	38.0	7.6	8.7	24.0	

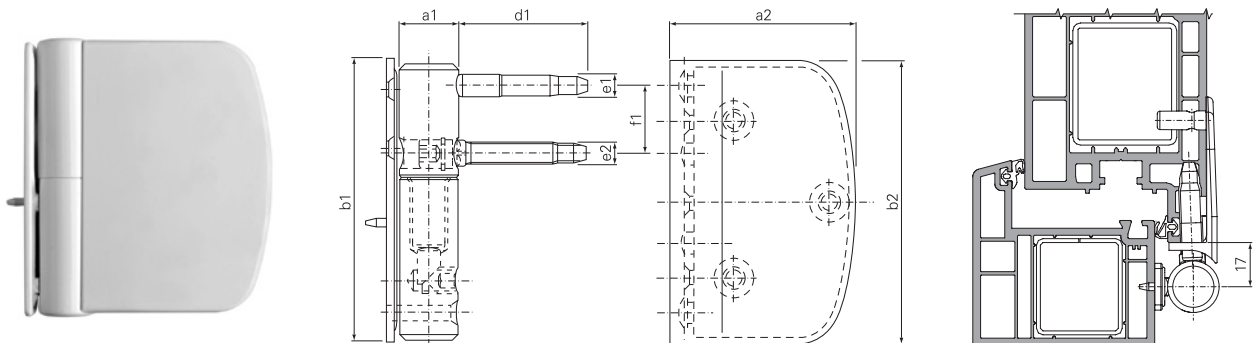
Application

- For PVC-U entrance doors
- Load capacity with 2 hinges 70 kg
- Adjustable 0/+3mm in height and +/-3mm horizontal

Product / Application	art. No	Material	Surface	Salt spray test hour	Packaging
169R15F019/37DZPC-ALU	1065264	Steel	Light Ivory RAL 1015	640	6
169R15F019/37DZBS-ALU	1272595	Steel	Traffic White RAL 9016	640	6
169R15F019/37DZGC-ALU	1065531	Steel	Grey RAL 7035	640	6
169R15F019/37DZPMT-ALU	1065248	Steel	Clay Brown RAL 8003	640	6
169R15F019/37DZPM-ALU	1065242	Steel	Brown RAL 8017	640	6

169R-20-007

Estetic 2D "S" - Adjustable hinge for entrance doors



Technical information

a1 mm	a2 mm	b1 mm	b2 mm	d mm	e1 mm	e2 mm	f1 mm	
20.0	64.0	98.0	98.0	38.0	7.6	8.7	24.0	


Application

- For PVC-U entrance doors
- Load capacity with 2 hinges 80 kg
- Adjustable 0/+3mm in height and +/-3mm horizontal

Product / Application	art. No	Material	Surface	Salt spray test hour	Packaging
169R20F007-37DZBS-ALU	1272598	Steel	Traffic White RAL 9016	640	6
169R20F007/37DZPMT-ALU	1065897	Steel	Clay Brown RAL 8003	640	6



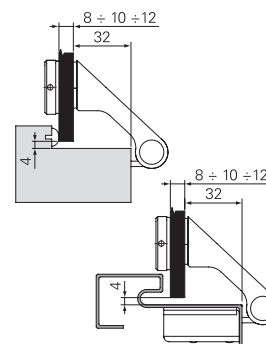
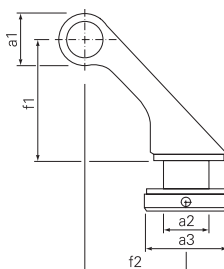
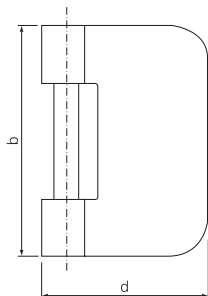
Hinges for glass doors



Product code	Application	Page
Just 3D	Hinge for doors (sash part)	7.2
Just 3D	Hinge for steel frame	7.3
Just 3D	Hinge for timber frame	7.4
CABR-H	Adjustable pivot hinge sash part glass-Aluminium	7.5
CAB-V	Pivot hinge for single glazing	7.7

J3D-F05

Just 3D - Adjustable hinge for doors (Sash part)



Technical information

a1 mm	a2 mm	a3 mm	b mm	d mm	f1 mm	f2 mm	
18.0	16.0	30.0	83.5	60.0	43.5	36.0	

Application

- For flush fit doors
- Load capacity with 2 hinges 50 kg
- Adjustable +/-2,5mm in height horizontal and gasket pressure

Product / Application	art. No	Material	Surface	Salt spray test hour	Packaging
J3DHF05ASX	1333966	Aluminium	Matt Stainless Steel		2
J3DHF05JNO	1376663	Aluminium	Nickel matt	48	2

7

Accessories

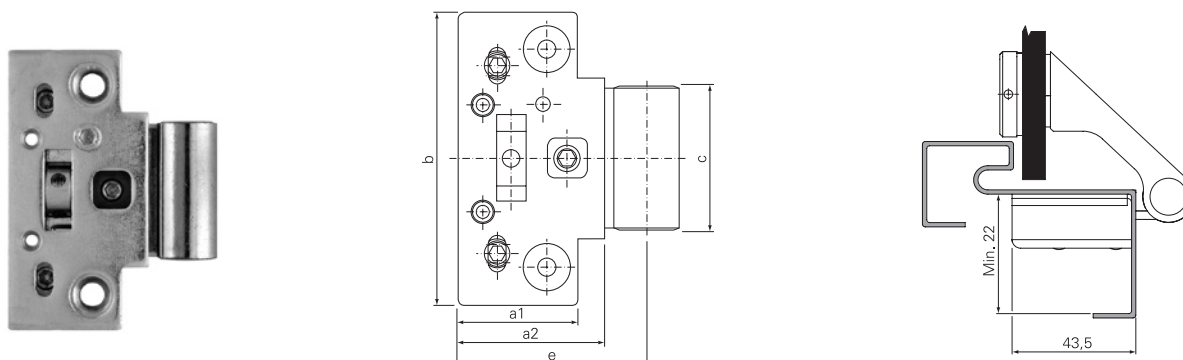


- Just 3D
Page 7.3



- Just 3D
Page 7.4

Just 3D - Adjustable hinge for doors with steel frame (Frame part)



Technical information

a1 mm	a2 mm	b mm	c mm	e mm	
34.0	42.0	83.0	41.0	56.0	

Application

- For flush fit doors
- Load capacity with 2 hinges 50 kg
- Adjustable +/-2,5mm in height horizontal and gasket pressure

Product / Application	art. No	Material	Surface	Salt spray test hour	Packaging
J3DHM00XS	1334376	Stainless steel	Matt Stainless Steel		2
J3DHM00NO	1334375	Steel	Nickel matt	48	2

Accessories



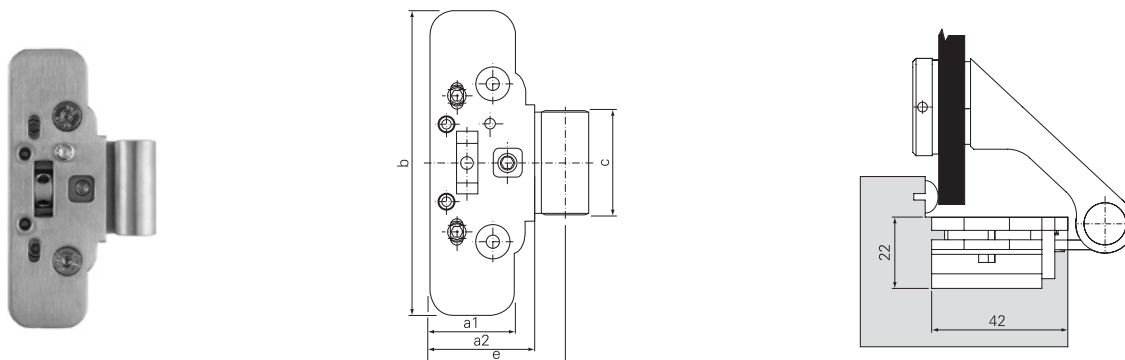
- Just 3D
Page 7.2



- Just 3D
Page 9.34

J3D-MT-01

Just 3D - Adjustable hinge for doors with timber frame (Frame part)



Technical information

a1 mm	a2 mm	b mm	c mm	e mm	
34.0	42.0	120.0	41.0	56.0	

Application

- For flush fit doors
- Load capacity with 2 hinges 50 kg
- Adjustable +/-2,5mm in height horizontal and gasket pressure

Product / Application	art. No	Material	Surface	Salt spray test hour	Packaging
J3DHMT01XS	1334378	Stainless steel	Matt Stainless Steel		2
J3DHMT01NO	1334377	Steel	Nickel matt	48	2

7

Accessories

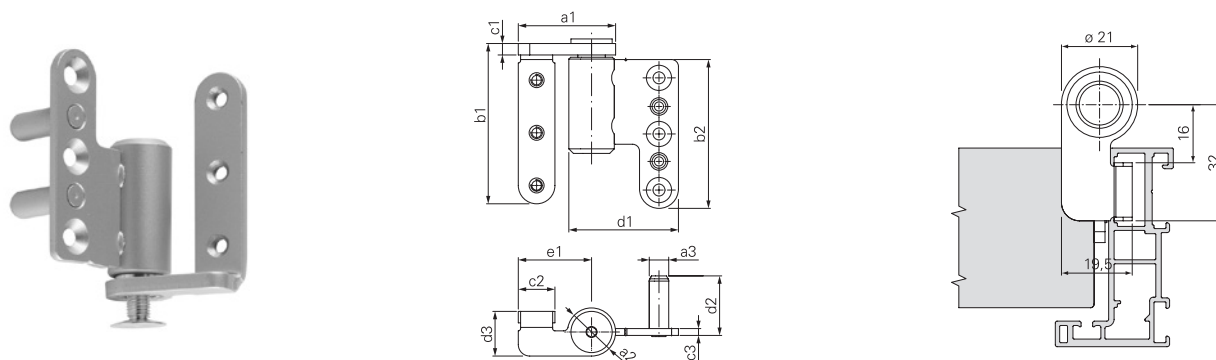


- Just 3D
Page 7.2



- BA
Page 9.46

CABR-H - Adjustable pivot hinge for double glazed doors with Aluminium frame



Technical information

a1 mm	a2 mm	a3 mm	b1 mm	b2 mm	c1 mm	c2 mm	c3 mm	d1 mm	d2 mm	d3 mm	e1 mm	
42.5	21.0	8.5	70.0	65.0	5.0	16.0	3.0	48.0	26.0	19.5	32.0	

Application

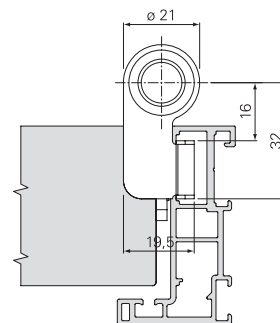
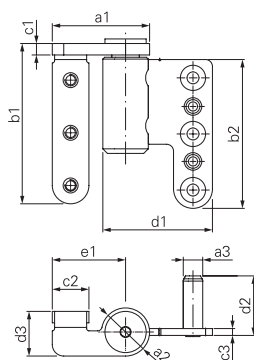
- For glass doors
- Load capacity per pair 160 kg
- Adjustable 0/+6mm in height
- Left hand

Product / Application	art. No	Material	Surface	Salt spray test hour	Packaging
CABRHS000VCO	1609979	Steel	Matt Chrome	264	1

Hinges for glass doors

CABR-H-001

CABR-H - Adjustable pivot hinge for double glazed doors with Aluminium frame



Technical information

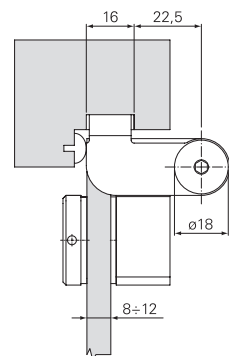
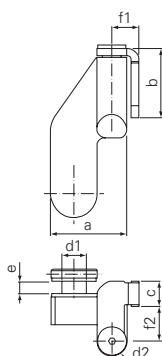
a1 mm	a2 mm	a3 mm	b1 mm	b2 mm	c1 mm	c2 mm	c3 mm	d1 mm	d2 mm	d3 mm	e1 mm	
42.5	21.0	8.5	70.0	65.0	5.0	16.0	3.0	48.0	26.0	19.5	32.0	

Application

- For glass doors
- Load capacity per pair 160 kg
- Adjustable 0/+6mm in height
- Right hand

Product / Application	art. No	Material	Surface	Salt spray test hour	Packaging
CABRHS001VCO	1609981	Steel	Matt Chrome	264	1

CAB-V - Pivot hinge for single glazed doors



Technical information

a	b mm	c mm	d1 mm	d2 mm	f1 mm	f2 mm	
49.0	45.0	16.0	16.0	9.5	17.5	22.5	

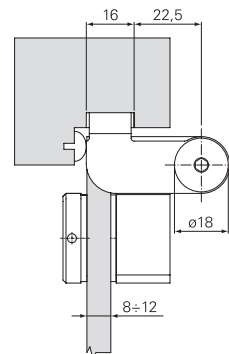
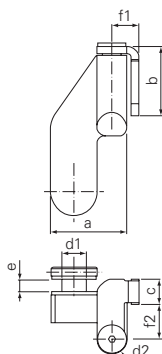
Application

- For glass doors
- Load capacity per pair 100 kg
- Left hand

Product / Application	art. No	Material	Surface	Salt spray test hour	Packaging
CABVS000ACA	1617488	Steel	Matt Chrome	264	1

CAB-V-001

CAB-V - Pivot hinge for single glazed doors



Technical information

a	b mm	c mm	d1 mm	d2 mm	f1 mm	f2 mm	
49.0	45.0	16.0	16.0	9.5	17.5	22.5	

Application

- For glass doors
- Load capacity per pair 100 kg
- Right hand

Product / Application	art. No	Material	Surface	Salt spray test hour	Packaging
CABVS001ACA	1617545	Steel	Matt Chrome	264	1

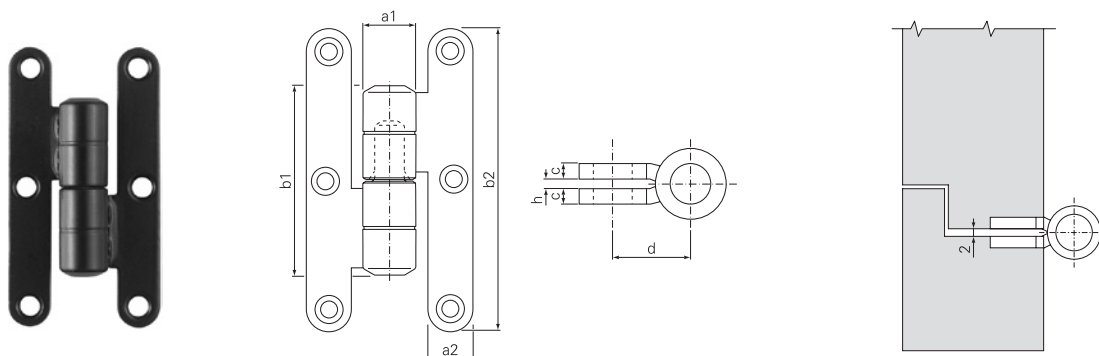
Hinges for shutters

Product code	Application	Page
20 Ø 14	2 part hinge for third wing	8.2 - 8.3
10L Ø 14	2 part hinge long for third wing	8.4 - 8.5
175 Ø 18	Sash part	8.6
175 Ø 18	Frame part	8.7
175 Ø 20	Sash part	8.8
175 Ø 20	Frame part for solid timber	8.9
175 Ø 20	Frame part	8.10
175 Ø 20	Frame part with security screw	8.11
175 Ø 20	Frame part with security bush	8.12 - 8.20



20-14-029

20 Ø 14 - 2 part hinge for third wing



Technical information

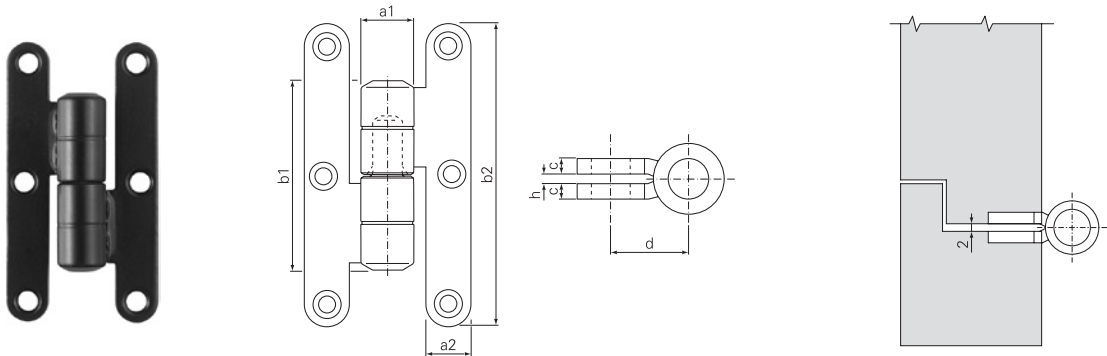
a1 mm	a2 mm	b1 mm	b2 mm	c mm	d mm	h mm	
14.0	12.0	50.4	80.0	3.0	16.0	2.0	

Application

- For shutters
- Load capacity with 2 hinges 30 kg
- Right hand

Product / Application	art. No	Material	Surface	Salt spray test hour	Packaging
2014F029MPN	821510	Steel	Black RAL 9005 Matt	1000	50

20 Ø 14 - 2 part hinge for third wing



Technical information

a1 mm	a2 mm	b1 mm	b2 mm	c mm	d mm	h mm	
14.0	12.0	50.4	80.0	3.0	16.0	2.0	

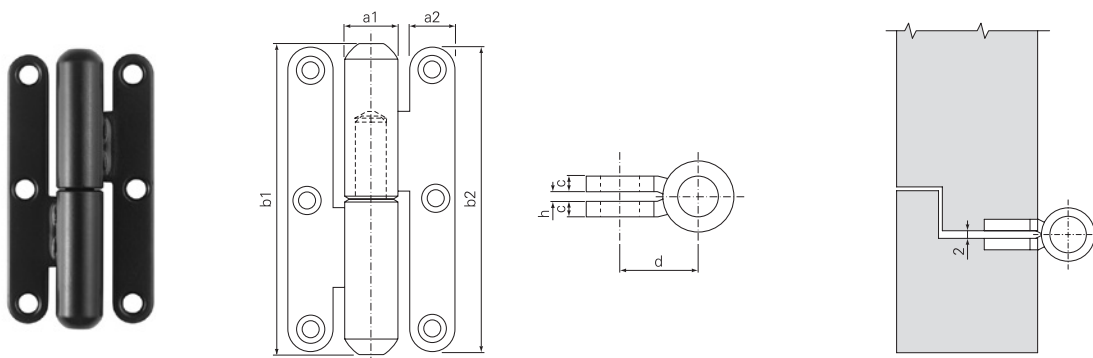
Application

- For shutters
- Load capacity with 2 hinges 30 kg
- Left hand

Product / Application	art. No	Material	Surface	Salt spray test hour	Packaging
2014F028MPN	821508	Steel	Black RAL 9005 Matt	1000	50

10L-14-017

10L Ø 14 - 2 part hinge long for third wing



Technical information

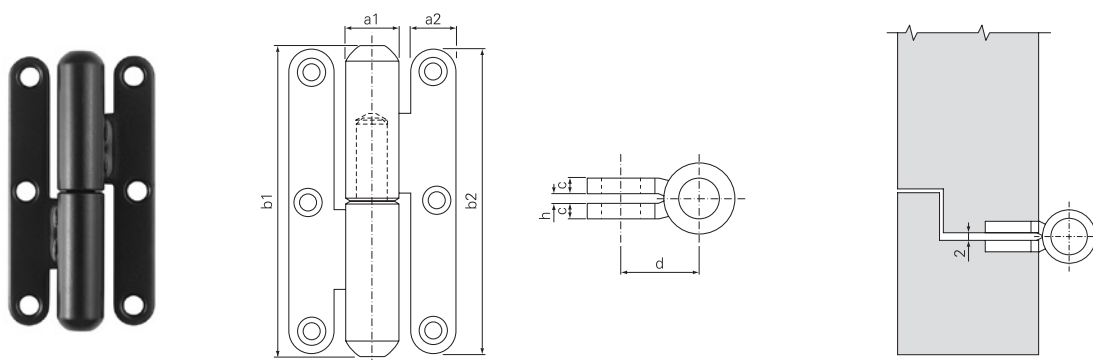
a1 mm	a2 mm	b1 mm	b2 mm	c mm	d mm	h mm	
14.0	12.0	82.0	80.0	3.0	16.0	2.0	

Application

- For shutters
- Load capacity with 2 hinges 30 kg
- Right hand

Product / Application	art. No	Material	Surface	Salt spray test hour	Packaging
10L14E017MPN	821506	Steel	Black RAL 9005 Matt	1000	50

10L Ø 14 - 2 part hinge long for third wing



Technical information

a1 mm	a2 mm	b1 mm	b2 mm	c mm	d mm	h mm	
14.0	12.0	82.0	80.0	3.0	16.0	2.0	

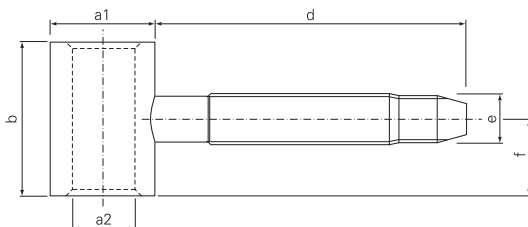
Application

- For shutters
- Load capacity with 2 hinges 30 kg
- Left hand

Product / Application	art. No	Material	Surface	Salt spray test hour	Packaging
10L14E016MPN	821504	Steel	Black RAL 9005 Matt	1000	50

175-18-L12

175 Ø 18 - Sash part for 175



Technical information

a1 mm	a2 mm	b mm	d mm	e mm	f mm	
18.0	10.0	32.0	60.0	9.6	16.0	

Application

- For shutters
- Stud Ø 9,6x60

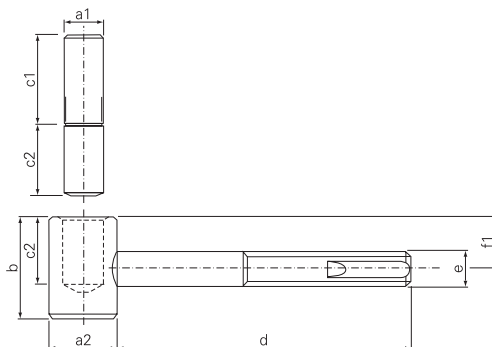
Product / Application	art. No	Material	Surface	Salt spray test hour	Packaging
17518EL12MPN	1272414	Steel	Black RAL 9005 Matt	1000	40

Accessories



- 175 Ø 18
- Page 8.7

175 Ø 18 - Frame part



Technical information

a1 mm	a2 mm	b mm	c1 mm	c2 mm	d mm	e mm	f1 mm	
10.0	18.0	30.0	29.0	21.0	90.0	10.0	15.0	

Application

- For shutters
- Stud Ø 10x90

Product / Application	art. No	Material	Surface	Salt spray test hour	Packaging
17518EMR06MPN	671175	Steel	Black RAL 9005 Matt	1000	40

Accessories



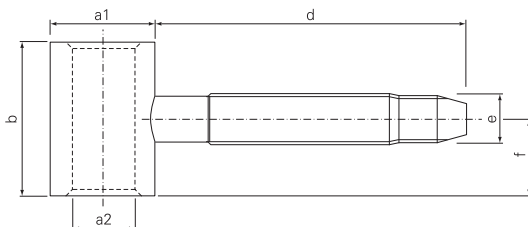
- 175 Ø 18
Page 8.6



- 175 Ø 20
Page 9.28

175-20-L10

175 Ø 20 - Sash part for 175



Technical information

a1 mm	a2 mm	b mm	d mm	e mm	f mm	
20.0	12.0	30.0	60.0	9.6	15.0	

Application

- For shutters
- Stud Ø 9,6x60

Product / Application	art. No	Material	Surface	Salt spray test hour	Packaging
17520EL10PNB	1099888	Steel	Black rough powder coated	1000	40
17520EL10MPN	1272162	Steel	Black RAL 9005 Matt	1000	40

Accessories



- 175 Ø 20
Page 8.9

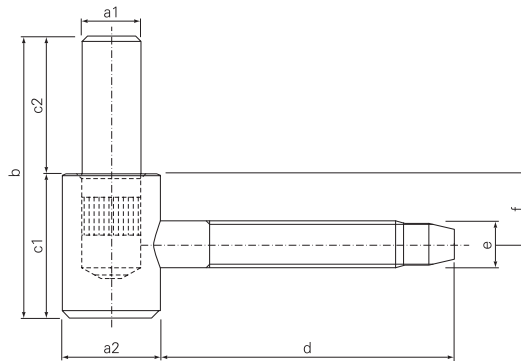


- 175 Ø 20
Page 8.11



- 175 Ø 20
Page 8.12

175 Ø 20 - Frame part for solid timber



Technical information

a1 mm	a2 mm	b mm	c1 mm	c2 mm	d mm	e mm	f mm	
12.0	20.0	58.0	30.0	28.0	60.0	9.8	15.0	

Application

- For shutters
- Stud Ø 9,8x60

Product / Application	art. No	Material	Surface	Salt spray test hour	Packaging
17520EM14PNB	1120406	Steel	Black rough powder coated	1000	40
17520EM14MPN	1272314	Steel	Black RAL 9005 Matt	1000	40

Accessories

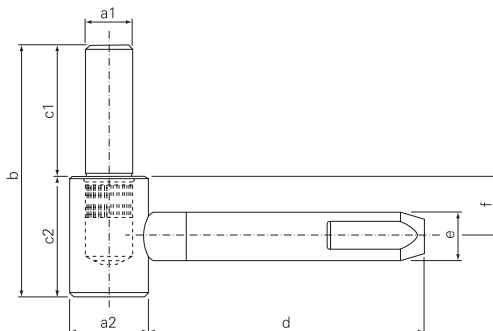


- 175 Ø 20
- Page 8.8

Hinges for shutters

175-20-MB112

175 Ø 20 - Frame part



Technical information

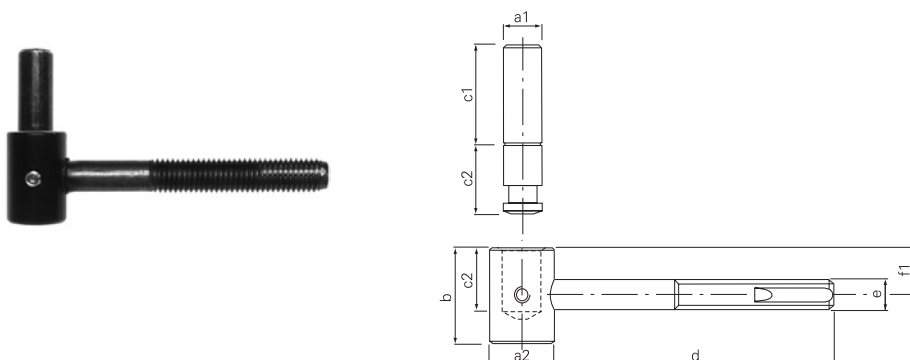
a1 mm	a2 mm	b mm	c1 mm	c2 mm	d mm	d1 mm	e mm	f mm	
12.0	20.0	63.0	33.0	30.0	70.0	12.0	12.0	15.0	

Application

- For shutters
- Stud Ø 12x70

Product / Application	art. No	Material	Surface	Salt spray test hour	Packaging
17520EM112PNB	1276716	Steel	Black rough powder coated	1000	40
17520EM112MPN	1261225	Steel	Black RAL 9005 Matt	1000	40

175 Ø 20 - Frame part with security screw



Technical information

a1 mm	a2 mm	b mm	c1 mm	c2 mm	d mm	e mm	f1 mm	
12.0	20.0	30.0	30.0	21.0	90.0	12.0	15.0	

Application

- For shutters
- Stud Ø 12x90

Product / Application	art. No	Material	Surface	Salt spray test hour	Packaging
17520EM16PNB	1113220	Steel	Black rough powder coated	1000	40
17520EM16MPN	855553	Steel	Black RAL 9005 Matt	1000	40

Accessories



- 175 Ø 20
Page 8.8



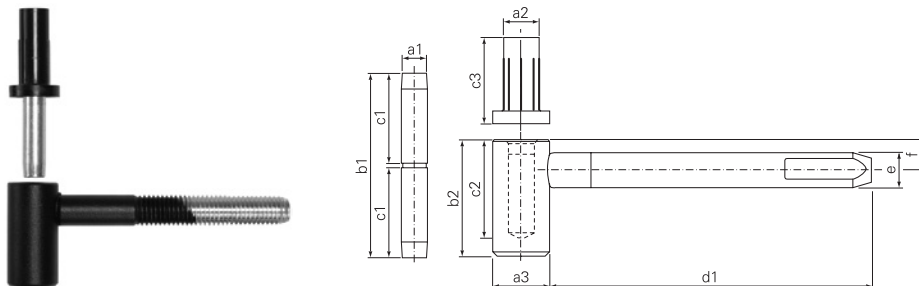
- 175 Ø 20
Page 9.29



- BPC
Page 9.44

175-20-MB95

175 Ø 20 - Frame part with security bush



Technical information

a1 mm	a2 mm	a3 mm	b1 mm	b2 mm	c1 mm	c2 mm	c3 mm	d1 mm	e mm	f mm	
9.0	12.0	20.0	63.0	40.0	31.0	32.0	29.5	90.0	12.0	10.5	

Application

- For shutters
- Stud Ø 12x90

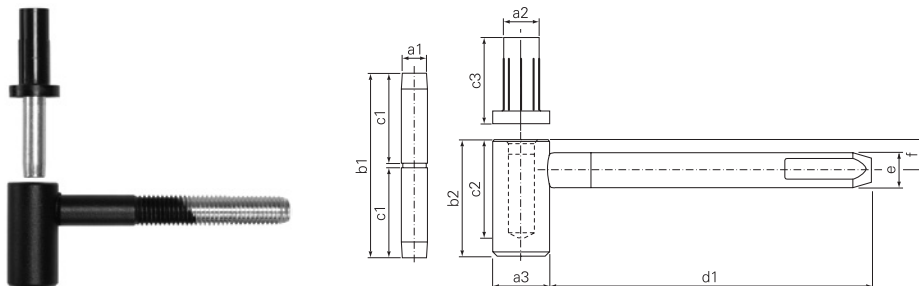
Product / Application	art. No	Material	Surface	Salt spray test hour	Packaging
17520EMB95MPN	1272714	Steel	Black RAL 9005 Matt	1000	40
17520EMB95PNB	1164993	Steel	Black rough powder coated	1000	40

Accessories



- 175 Ø 20
- Page 8.8

175 Ø 20 - Frame part with security bush



Technical information

a1 mm	a2 mm	a3 mm	b1 mm	b2 mm	c1 mm	c2 mm	c3 mm	d1 mm	e mm	f mm	
9.0	12.0	20.0	63.0	40.0	31.0	32.0	29.5	120.0	12.0	10.5	

Application

- For shutters
- Stud Ø 12x120

Product / Application	art. No	Material	Surface	Salt spray test hour	Packaging
17520EMB97MPN	1272715	Steel	Black RAL 9005 Matt	1000	40
17520EMB97PNB	1164998	Steel	Black rough powder coated	1000	40

Accessories



- 175 Ø 20
Page 8.8



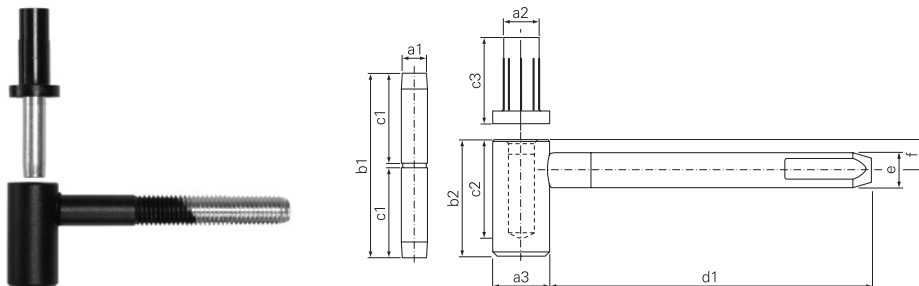
- 175 Ø 20
Page 9.29



- BPC
Page 9.44

175-20-MB96

175 Ø 20 - Frame part with security bush



Technical information

a1 mm	a2 mm	a3 mm	b1 mm	b2 mm	c1 mm	c2 mm	c3 mm	d1 mm	e mm	f mm	
9.0	12.0	20.0	63.0	40.0	31.0	32.0	29.5	140.0	12.0	10.5	

Application

- For shutters
- Stud Ø 12x140

Product / Application	art. No	Material	Surface	Salt spray test hour	Packaging
17520EMB96MPN	1272716	Steel	Black RAL 9005 Matt	1000	40
17520EMB96PNB	1165000	Steel	Black rough powder coated	1000	40

Accessories



- 175 Ø 20
Page 8.8

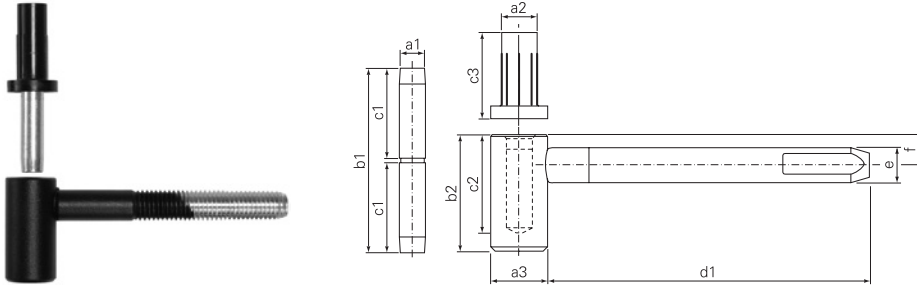


- 175 Ø 20
Page 9.29



- BPC
Page 9.44

175 Ø 20 - Frame part with security bush



Technical information

a1 mm	a2 mm	a3 mm	b1 mm	b2 mm	c1 mm	c2 mm	c3 mm	d1 mm	e mm	f mm	
9.0	12.0	20.0	63.0	40.0	31.0	32.0	29.5	160.0	12.0	10.5	

Application

- For shutters
- Stud Ø 12x160

Product / Application	art. No	Material	Surface	Salt spray test hour	Packaging
17520EMB98MPN	1272717	Steel	Black RAL 9005 Matt	1000	40
17520EMB98PNB	1165039	Steel	Black rough powder coated	1000	40

Accessories



- 175 Ø 20
Page 8.8



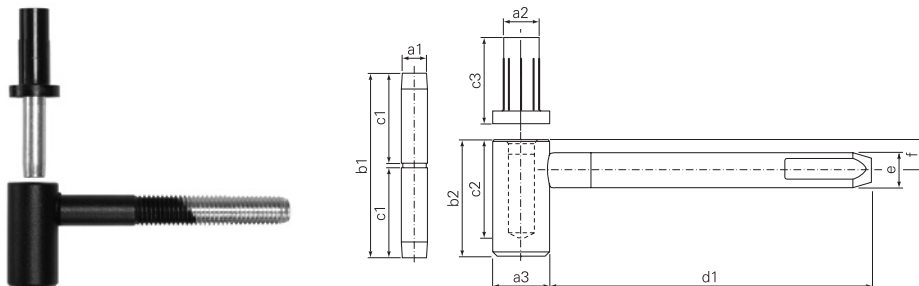
- 175 Ø 20
Page 9.29



- BPC
Page 9.44

175-20-MB100

175 Ø 20 - Frame part with security bush



Technical information

a1 mm	a2 mm	a3 mm	b1 mm	b2 mm	c1 mm	c2 mm	c3 mm	d1 mm	e mm	f mm	
9.0	12.0	20.0	63.0	40.0	31.0	32.0	29.5	180.0	12.0	10.5	

Application

- For shutters
- Stud Ø 12x180

Product / Application	art. No	Material	Surface	Salt spray test hour	Packaging
17520EMB100MPN	1272763	Steel	Black RAL 9005 Matt	1000	40
17520EMB100PNB	1183091	Steel	Black rough powder coated	1000	40

Accessories



- 175 Ø 20
Page 8.8

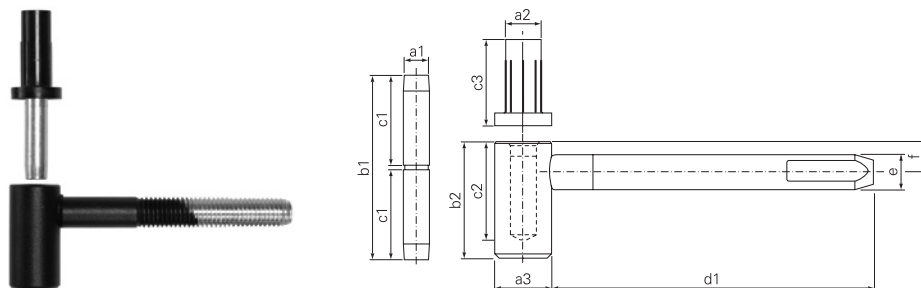


- 175 Ø 20
Page 9.29



- BPC
Page 9.44

175 Ø 20 - Frame part with security bush



Technical information

a1 mm	a2 mm	a3 mm	b1 mm	b2 mm	c1 mm	c2 mm	c3 mm	d1 mm	e mm	f mm	
9.0	12.0	20.0	63.0	40.0	31.0	32.0	29.5	200.0	16.0	10.5	

Application

- For shutters
- Stud Ø 16x200

Product / Application	art. No	Material	Surface	Salt spray test hour	Packaging
17520EMB101MPN	1272764	Steel	Black RAL 9005 Matt	1000	40
17520EMB101PNB	1183092	Steel	Black rough powder coated	1000	40

Accessories



- 175 Ø 20
Page 8.8



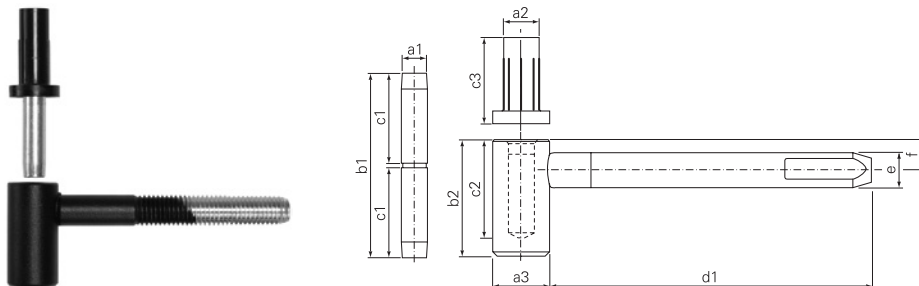
- 175 Ø 20
Page 9.30



- BPC
Page 9.44

175-20-MB102

175 Ø 20 - Frame part with security bush



Technical information

a1 mm	a2 mm	a3 mm	b1 mm	b2 mm	c1 mm	c2 mm	c3 mm	d1 mm	e mm	f mm	
9.0	12.0	20.0	63.0	40.0	31.0	32.0	29.5	220.0	16.0	10.5	

Application

- For shutters
- Stud Ø 16x220

Product / Application	art. No	Material	Surface	Salt spray test hour	Packaging
17520EMB102MPN	1272765	Steel	Black RAL 9005 Matt	1000	40
17520EMB102PNB	1183096	Steel	Black rough powder coated	1000	40

Accessories



- 175 Ø 20
Page 8.8

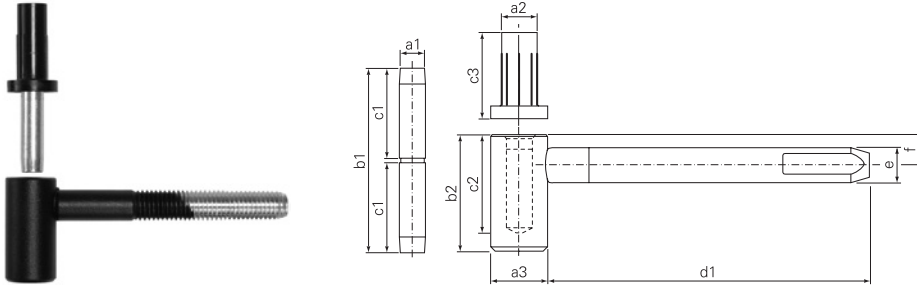


- 175 Ø 20
Page 9.32



- BPC
Page 9.46

175 Ø 20 - Frame part with security bush



Technical information

a1 mm	a2 mm	a3 mm	b1 mm	b2 mm	c1 mm	c2 mm	c3 mm	d1 mm	e mm	f mm	
9.0	12.0	20.0	63.0	40.0	31.0	32.0	29.5	240.0	16.0	10.5	

Application

- For shutters
- Stud Ø 16x240

Product / Application	art. No	Material	Surface	Salt spray test hour	Packaging
17520EMB103MPN	1272766	Steel	Black RAL 9005 Matt	1000	40
17520EMB103PNB	1183097	Steel	Black rough powder coated	1000	40

Accessories



- 175 Ø 20
Page 8.8



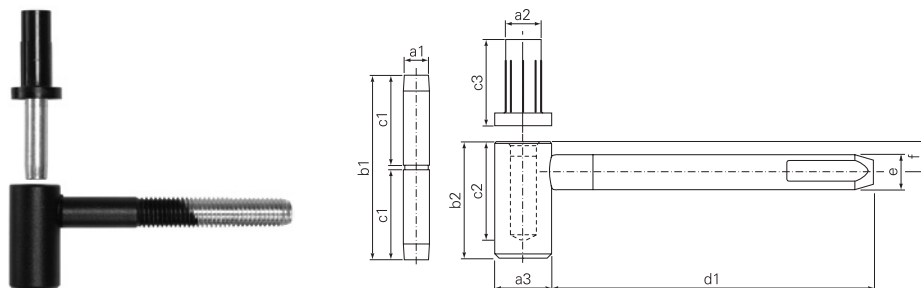
- 175 Ø 20
Page 9.30



- BPC
Page 9.44

175-20-MB104

175 Ø 20 - Frame part with security bush



Technical information

a1 mm	a2 mm	a3 mm	b1 mm	b2 mm	c1 mm	c2 mm	c3 mm	d1 mm	e mm	f mm	
9.0	12.0	20.0	63.0	40.0	31.0	32.0	29.5	260.0	16.0	10.5	

Application

- For shutters
- Stud Ø 16x260

Product / Application	art. No	Material	Surface	Salt spray test hour	Packaging
17520EMB104MPN	1272767	Steel	Black RAL 9005 Matt	1000	40
17520EMB104PNB	1183100	Steel	Black rough powder coated	1000	40

Accessories



- 175 Ø 20
Page 8.8



- 175 Ø 20
Page 9.30



- BPC
Page 9.44

Accessories and fitting tool

Product code	Application	Page
SFS center part	For pivot hinges	9.2
Easy 3D	Milling covering cap for Easy 3D	9.3
CIR	Caps for pivot hinges CAB-R e CIR	9.4
180 Ø 13	Flat caps	9.5
180 Ø 14	Flat caps	9.6
180 Ø 15	Cover caps for frame part 169 Ø 15	9.9
180 Ø 15	Cover caps for sash part 169 Ø 15	9.10
180 Ø 15	Flat caps	9.11
180 Ø 16	Flat caps	9.15
180 Ø 20	Flat caps	9.16
180T Ø 13	Domed caps	9.18
180T Ø 14	Domed caps	9.19
180T Ø 15	Domed caps	9.21
180T Ø 20	Domed caps	9.23
180B Ø 14	Baroque caps	9.24
180B Ø 15	Baroque caps	9.25
180B Ø 20	Baroque caps	9.27
175 Ø 20	Cover for shutter hinge	9.28
175 Ø 20	Cap for ring and plate	9.31
012-RM	Support for solid timber	9.33
Just 3D	Support for steel frame	9.34
Just 3D	Reinforcement plate for cover frame	9.35
W-Tec 3D	Support for steel frame	9.36
W-Tec 3D	Reinforcement plate for cover frame	9.40
BPC	Reference jig for 175	9.44
BA	Drilling jig for 169, 170 and 230	9.45
Just 3D	Milling jig	9.46
Easy 3D	Reference jig	9.48
Easy 3D	Milling jig	9.49
Easy 3D inox	Reference jig	9.51
B-PF	Milling cutter for Easy 3D	9.52
W-Tec 3D	Milling jig	9.53
Dynamic 3D	Drilling jig Dynamic 3D	9.55
BBOX	Fitting set rebated application	9.58
BBOX	Fitting set flush fit application	9.63
TB	Bar	9.65
ST	Stop for bar	9.66
BPG	Drill bit	9.67
BF	Deep stop	9.69
BP	Adjustment pin	9.70
BG	Hook	9.71
B1M	Hand tool for hook	9.72
TESTA	Spindle	9.73

CSD-002

SFS center part



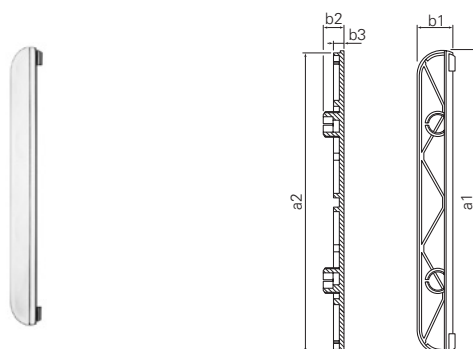
Technical information

Application

- For pivot hinges

Product / Application	art. No	Material	Surface	Salt spray test hour	Packaging
CSD002SM	1568367	Steel	Brassed	4	1
CSD002SN	1565413	Steel	Nickel	20	1

Easy 3D - Milling covering cap for Easy 3D



Technical information

a1 mm	a2 mm	b1 mm	b2 mm	b3 mm	
132.0	130.0	15.5	9.0	4.5	

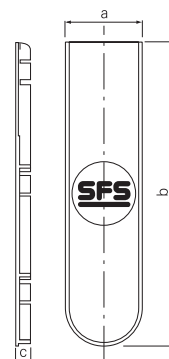
Application

- For rebate 15mm

Product / Application	art. No	Material	Surface		Packaging
E3DSC1500TWR	710858	ABS	White		12
E3DSC1500TO	710861	ABS	Matt Nickel		12

CIR-C-00

CIR - Caps for pivot hinges



Technical information

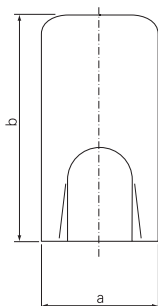
a mm	b mm	c mm	
20.5	87.0	4.0	

Application

- For CAB-R and CIR-03

Product / Application	art. No	Material	Surface		Packaging
CIRFC03TA	768006	ABS	White RAL 9010		12
CIRFC03TC	766667	ABS	Chrome		12
CIRFC03TC0	1100909	ABS	Matt Chrome		12
CIRFC03TM	768007	ABS	Brown RAL 8017		12
CIRFC03TS	771111	ABS	Black RAL 9005		12
CIRFC03TE	766666	ABS	Brassed		12

180 Ø 13 - Aluminium flat caps



Technical information

a mm	b mm	
13.9	27.0	

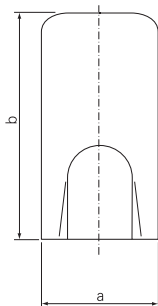
Application

- For hinge 20 Ø 13

Product / Application	art. No	Material	Surface		Packaging
18013FC01AKC	755489	Aluminium	Light Bronzed		50
18013FC01ACA	935932	Aluminium	Matt Chrome		50
18013FC01ANL	914055	Aluminium	Nickel		50
18013FC01ANO	914056	Aluminium	Matt Nickel		50
18013FC01AEL	914054	Aluminium	Brassed		50

180-14-C01

180 Ø 14 - Aluminium flat caps



Technical information

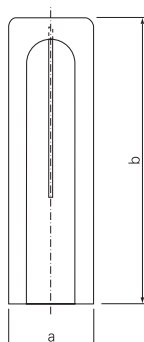
a mm	b mm	
14.8	29.0	

Application

- For hinge 20 Ø 14

Product / Application	art. No	Material	Surface		Packaging
18014FC01AKC	755490	Aluminium	Light Bronzed		50
18014FC01ACA	935948	Aluminium	Matt Chrome		50
18014FC01ANL	910473	Aluminium	Nickel		50
18014FC01ANO	910474	Aluminium	Matt Nickel		50
18014FC01AEL	910471	Aluminium	Brassed		50

180 Ø 14 - ABS flat caps



Technical information

a mm	b mm	
16.8	43.0	

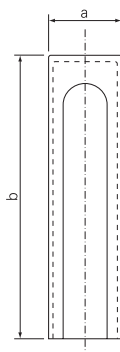
Application

- For adjustable hinge 11R Ø 14

Product / Application	art. No	Material	Surface		Packaging
18014RFC00TA	889815	ABS	White RAL 9010		50
18014RFC00TM	889818	ABS	Brown RAL 8017		50
18014RFC00TS	889816	ABS	Black		50

180-14R-C02

180 Ø 14 - Aluminium flat caps



Technical information

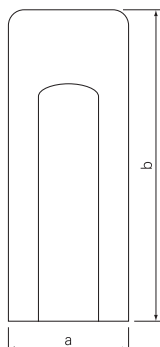
a mm	b mm	
14.9	44.6	

Application

- For adjustable hinge 11R Ø 14

Product / Application	art. No	Material	Surface		Packaging
18014RFC02AKC	708258	Aluminium	Light Bronzed		50
18014RFC02ACA	936050	Aluminium	Matt Chrome		50
18014RFC02ANL	929969	Aluminium	Nickel		50
18014RFC02ANO	929970	Aluminium	Matt Nickel		50
18014RFC02AEL	929967	Aluminium	Brassed		50

180 Ø 15 - Cover caps



Technical information

a mm	b mm	
15.7	40.5	

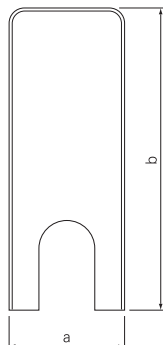
Application

- For Frame part 169 Ø 15

Product / Application	art. No	Material	Surface		Packaging
18015FFC02AKC	712551	Aluminium	Light Bronzed		50
18015FFC02ALN	997677	Aluminium	Natural Silver		50
18015FFC02AOB	997673	Aluminium	Gold		50

180-15-MC02

180 Ø 15 - Cover caps



Technical information

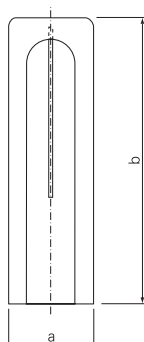
a mm	b mm	
15.7	40.5	

Application

- For Sash part 169 Ø 15

Product / Application	art. No	Material	Surface		Packaging
18015MFC02AKC	712556	Aluminium	Light Bronzed		50
18015MFC02AKS	712557	Aluminium	Dark bronzed		50
18015MFC02ALN	997881	Aluminium	Natural Silver		50
18015MFC02AOB	997681	Aluminium	Gold		50

180 Ø 15 - ABS flat caps



Technical information

a mm	b mm	
17.8	49.0	

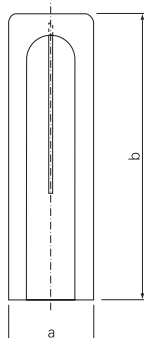
Application

- For adjustable hinge 11R Ø 15x92

Product / Application	art. No	Material	Surface		Packaging
18015RFC16TA	298642	ABS	White RAL 9010		50
18015RFC16TM	298641	ABS	Brown		50

180-15R-C01

180 Ø 15 - ABS flat caps



Technical information

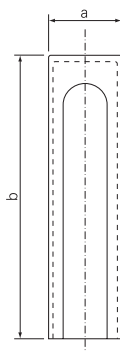
a mm	b mm	
17.8	59.0	

Application

- For adjustable hinge 11R Ø 15x112

Product / Application	art. No	Material	Surface		Packaging
18015RFC01TA	21692	ABS	White RAL 9010		50
18015RFC01TM	21695	ABS	Brown		50
18015RFC01TS	21703	ABS	Black RAL 9005		50

180 Ø 15 - Aluminium flat caps



Technical information

a mm	b mm	
15.9	50.5	

Application

- For adjustable hinge 11R Ø 15x92

Product / Application	art. No	Material	Surface		Packaging
18015RFC02AKC	700587	Aluminium	Light Bronzed		50
18015RFC02ACA	936052	Aluminium	Matt Chrome		50
18015RFC02ANL	923200	Aluminium	Nickel		50
18015RFC02ANO	923201	Aluminium	Matt Nickel		50
18015RFC02AEL	923199	Aluminium	Brassed		50

180-15R-C03

180 Ø 15 - Aluminium flat caps



Technical information

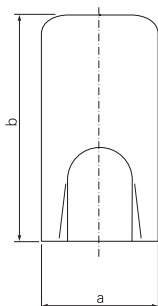
a mm	b mm	
15.9	60.5	

Application

- For adjustable hinge 11R Ø 15x112

Product / Application	art. No	Material	Surface		Packaging
18015RFC03ACA	936063	Aluminium	Matt Chrome		50
18015RFC03ANL	929977	Aluminium	Nickel		50
18015RFC03ANO	929979	Aluminium	Matt Nickel		50
18015RFC03AKC	744963	Aluminium	Light Bronzed		50
18015RFC03AEL	929976	Aluminium	Brassed		50

180 Ø 16 - Aluminium flat caps



Technical information

a	b mm	
16.8	31.0	

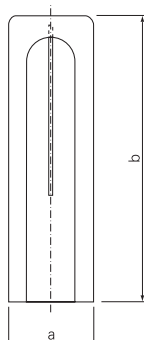
Application

- For hinge 20 Ø 16

Product / Application	art. No	Material	Surface		Packaging
18016FC02ACA	935951	Aluminium	Matt Chrome		50
18016FC02ANO	920840	Aluminium	Matt Nickel		50
18016FC02AEL	920838	Aluminium	Brassed		50

180-20R-C00

180 Ø 20 - ABS flat caps



Technical information

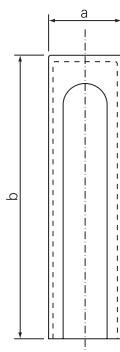
a mm	b mm	
22.8	59.0	

Application

- For adjustable hinge 11R Ø 20x112

Product / Application	art. No	Material	Surface		Packaging
18020RFC00TA	21713	ABS	White RAL 9010		50
18020RFC00TM	21717	ABS	Brown		50
18020RFC00TS	21721	ABS	Black RAL 9005		50

180 Ø 20 - Aluminium flat caps



Technical information

a mm	b mm	
20.8	60.5	

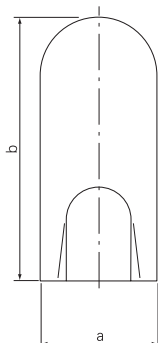
Application

- For adjustable hinge 11R Ø 20x112

Product / Application	art. No	Material	Surface		Packaging
18020RFC01AKC	997826	Aluminium	Light Bronzed		50
18020RFC01ACA	936065	Aluminium	Matt Chrome		50
18020RFC01ANL	929986	Aluminium	Nickel		50
18020RFC01ANO	929988	Aluminium	Matt Nickel		50
18020RFC01AEL	929982	Aluminium	Brassed		50

180T-13-C00

180T Ø 13 - Aluminium domed caps



Technical information

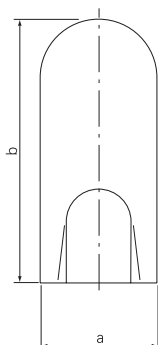
a mm	b mm	
13.9	32.5	

Application

- For hinge 20 Ø 13

Product / Application	art. No	Material	Surface		Packaging
180T13FC00ACA	935927	Aluminium	Matt Chrome		50
180T13FC00ANL	893158	Aluminium	Nickel		50
180T13FC00AEL	904157	Aluminium	Brassed		50

180T Ø 14 - Aluminium domed caps



Technical information

a mm	b mm	
14.8	36.0	

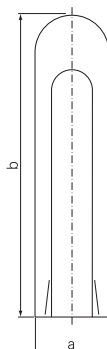
Application

- For hinge 20 Ø 14

Product / Application	art. No	Material	Surface		Packaging
180T14FC00ACA	940091	Aluminium	Matt Chrome		50
180T14FC00ANO	954002	Aluminium	Matt Nickel		50
180T14FC00AEL	935024	Aluminium	Brassed		50

180T-14R-C00

180T Ø 14 - Aluminium domed caps



Technical information

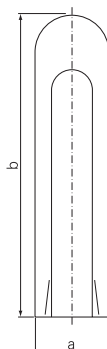
a mm	b mm	
14.9	49.5	

Application

- For adjustable hinge 11R Ø 14

Product / Application	art. No	Material	Surface		Packaging
180T14RFC00ACA	936076	Aluminium	Matt Chrome		50
180T14RFC00ANL	937622	Aluminium	Nickel		50
180T14RFC00AEL	937617	Aluminium	Brassed		50

180T Ø 15 - Aluminium domed caps



Technical information

a mm	b mm	
15.9	56.0	

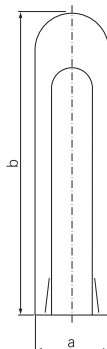
Application

- For adjustable hinge 11R Ø 15x92

Product / Application	art. No	Material	Surface		Packaging
180T15RFC03AKC	700590	Aluminium	Light Bronzed		50
180T15RFC03ACA	936084	Aluminium	Matt Chrome		50
180T15RFC03ANL	953981	Aluminium	Nickel		50
180T15RFC03ANO	953982	Aluminium	Matt Nickel		50
180T15RFC03AEL	947126	Aluminium	Brassed		50

180T-15R-C02

180T Ø 15 - Aluminium domed caps



Technical information

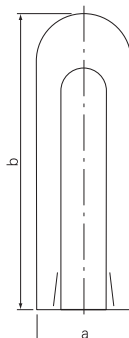
a mm	b mm	
15.9	66.0	

Application

- For adjustable hinge 11R Ø 15x112

Product / Application	art. No	Material	Surface		Packaging
180T15RFC02ACA	936079	Aluminium	Matt Chrome		50
180T15RFC02ANL	946200	Aluminium	Nickel		50
180T15RFC02AEL	944245	Aluminium	Brassed		50

180T Ø 20 - Aluminium domed caps



Technical information

a mm	b mm	
20.8	66.0	

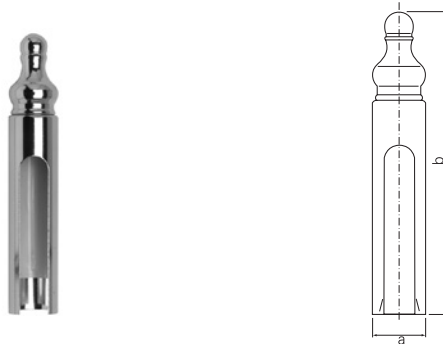
Application

- For adjustable hinge 11R Ø 20x112

Product / Application	art. No	Material	Surface		Packaging
180T20RFC01AKC	997827	Aluminium	Light Bronzed		50
180T20RFC01ACA	936087	Aluminium	Matt Chrome		50
180T20RFC01ANL	946145	Aluminium	Nickel		50
180T20RFC01ANO	946146	Aluminium	Matt Nickel		50
180T20RFC01AEL	943775	Aluminium	Brassed		50

180B-14R-C00

180B Ø 14 - Aluminium baroque caps



Technical information

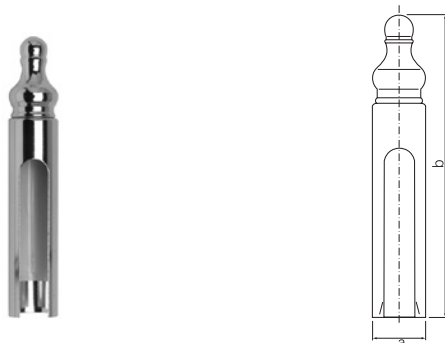
a mm	b mm	
17.0	95.5	

Application

- For adjustable hinge 11R Ø 14

Product / Application	art. No	Material	Surface		Packaging
180B14RFC00AEL	1555136	Aluminium	Brassed		50

180B Ø 15 - Aluminium baroque caps



Technical information

a mm	b mm	
17.0	89.0	

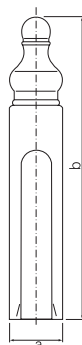
Application

- For adjustable hinge 11R Ø 15x92

Product / Application	art. No	Material	Surface		Packaging
180B15RFC16AEL	1489591	Aluminium	Brassed		50

180B-15-C01

180B Ø 15 - Aluminium baroque caps



Technical information

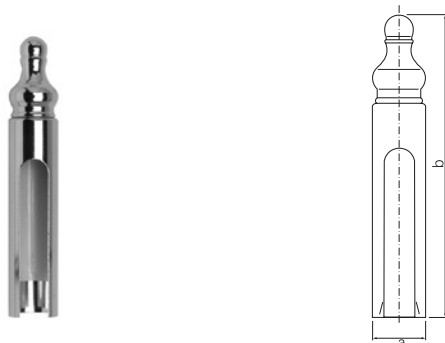
a mm	b mm	
17.0	95.5	

Application

- For adjustable hinge 11R Ø 15x112

Product / Application	art. No	Material	Surface		Packaging
180B15RFC01AEL	1569454	Aluminium	Brassed		50

180B Ø 20 - Aluminium baroque caps



Technical information

a mm	b mm	
22.0	99.0	

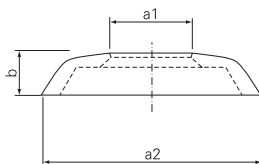
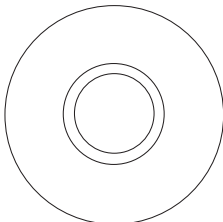
Application

- For adjustable hinge 11R Ø 20x112

Product / Application	art. No	Material	Surface		Packaging
180B20RFC00AEL	1569536	Aluminium	Brassed		50

175-20-R06

175 Ø 20 - Cover



Technical information

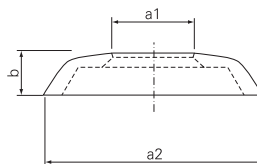
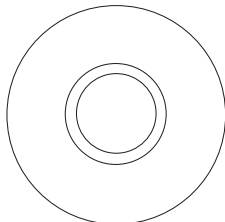
a1 mm	a2 mm	b mm	
10.3	30.0	6.5	

Application

- For hinge with stud Ø 10

Product / Application	art. No	Material	Surface		Packaging
17520ER06TS	1272151	ABS	Black		400

175 Ø 20 - Cover



Technical information

a1 mm	a2 mm	b mm	
12.3	30.0	6.5	

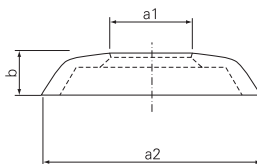
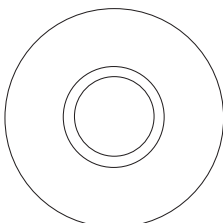
Application

- For hinge with stud Ø 12

Product / Application	art. No	Material	Surface		Packaging
17520ER05TS	1272150	ABS	Black		400

175-20-R72

175 Ø 20 - Cover



Technical information

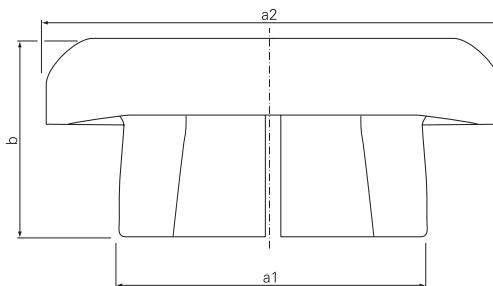
a1 mm	a2 mm	b mm	
16.5	35.0	6.5	

Application

- For hinge with stud Ø 16

Product / Application	art. No	Material	Surface		Packaging
17520ER72TS	1272793	ABS	Black		400

175 Ø 20 - Cap for ring and plate



Technical information

a1 mm	a2 mm	b mm	
10.7	16.0	7.0	

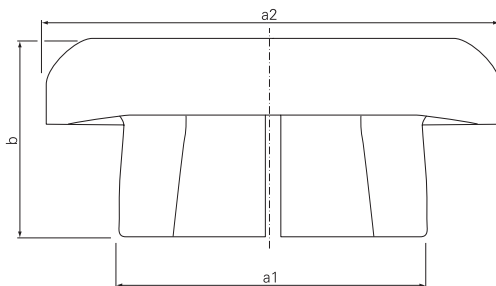
Application

- Cap for hole Ø 10

Product / Application	art. No	Material	Surface		Packaging
17520ET06TS	731385	ABS	Yellow		400

175-20-T05

175 Ø 20 - Cap for ring and plate



Technical information

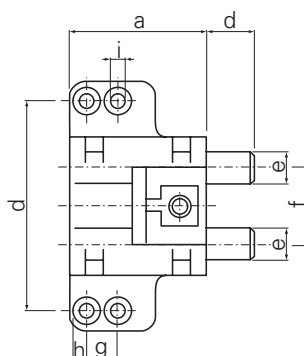
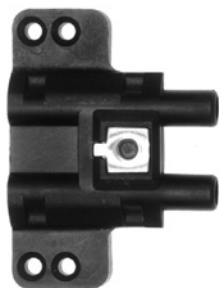
a1 mm	a2 mm	b mm	
12.7	20.0	7.0	

Application

- Cap for hole Ø 12

Product / Application	art. No	Material	Surface		Packaging
17520ET05TS	731378	ABS	Yellow		400

10L/220 Ø 15 - Support for cover frame



Technical information

a mm	b mm	d mm	e mm	f mm	g mm	h mm	i mm	
44.0	62.0	13.5	9.8	22.0	11.0	5.0	4.5	

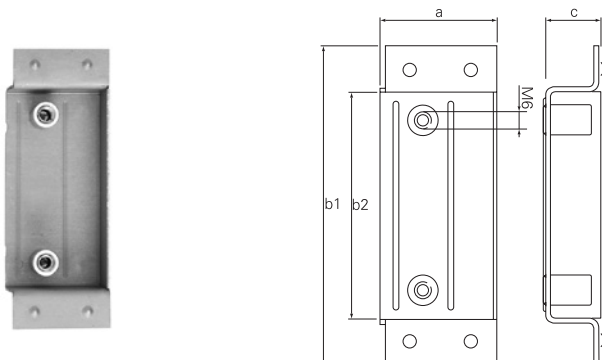
Application

- For frame part 10L and central barrel 220

Product / Application	art. No	Material	Surface		Packaging
012RMB017NN	1272026	Nylon	Black		400

J3D-A00

Just 3D - Support for steel frame



Technical information

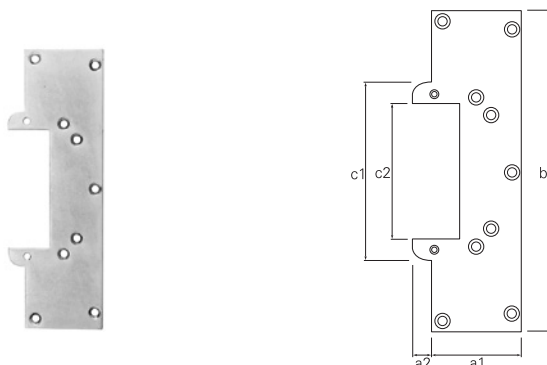
a mm	b1 mm	b2 mm	c mm	
42.0	116.0	83.0	19.0	

Application

- For hinge Just 3D

Product / Application	art. No	Material	Surface		Packaging
J3DSTA00SZ	1272302	Steel	Zinc		100

Just 3D - Reinforcement plate for cover frame



Technical information

a1 mm	a2 mm	b mm	c1 mm	c2 mm	
60.0	13.0	215.0	120.0	90.0	

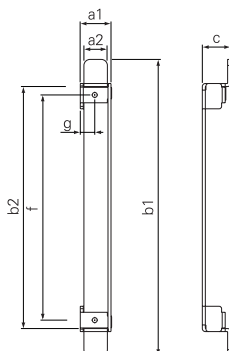
Application

- For hinge Just 3D

Product / Application	art. No	Material	Surface		Packaging
J3DSP01SZ	777659	Steel	Zinc		20

W-Tec-3Ds-T00

W-Tec 3Ds - Support for steel frame



Technical information

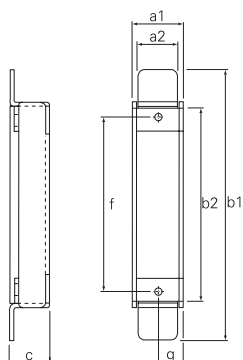
a1 mm	a2 mm	b1 mm	b2 mm	c mm	f mm	g mm	
25.5	19.5	246.0	201.0	23.5	187.0	12.0	

Application

- For hinge W-Tec 3Ds

Product / Application	art. No	Material	Surface		Packaging
WTEC3DSST00SZ	1502857	Steel	Zinc		10

W-Tec 3D+ 60 - Support for steel frame



Technical information

a1 mm	a2 mm	b1 mm	b2 mm	c mm	f mm	g mm	
32.0	25.0	180.0	135.0	33.5	122.0	15.5	

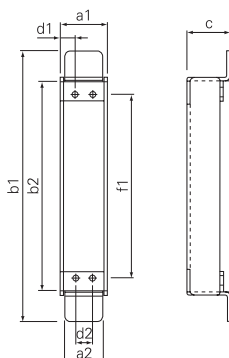
Application

- For hinge W-Tec 3D+60

Product / Application	art. No	Material	Surface		Packaging
WTEC3D60ST00SZ	1365299	Steel	Zinc		10

W-Tec-3D-100-T00

W-Tec 3D+ 100/160 - Support for steel frame



Technical information

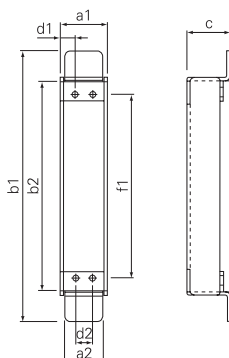
a1 mm	a2 mm	b1 mm	b2 mm	c mm	d1 mm	d2 mm	f1 mm	
36.0	29.0	206.0	161.0	38.5	10.5	14.0	140.0	

Application

- For hinges W-Tec 3D+100/160

Product / Application	art. No	Material	Surface		Packaging
WTEC3D100ST05SZ	1365313	Steel	Zinc		10

W-Tec 3DL - Support for steel frame



Technical information

a1 mm	a2 mm	b1 mm	b2 mm	c mm	d1 mm	d2 mm	f1 mm	
43.0	36.0	264.0	219.0	46.5	12.0	18.0	195.0	

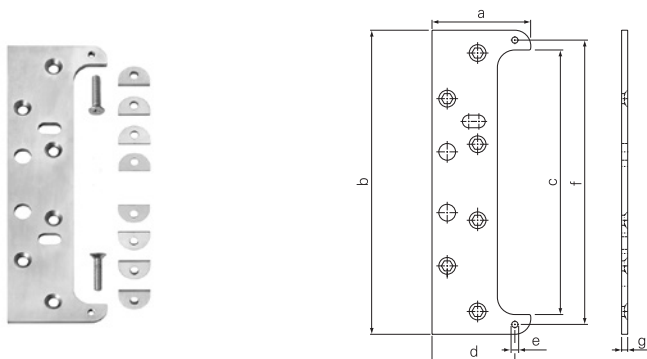
Application

- For hinge W-Tec 3DL

Product / Application	art. No	Material	Surface		Packaging
WTEC3DLST00SZ	1558326	Steel	Zinc		10

W-Tec-3Ds-P00

W-Tec 3Ds - Reinforcement plate for cover frame



Technical information

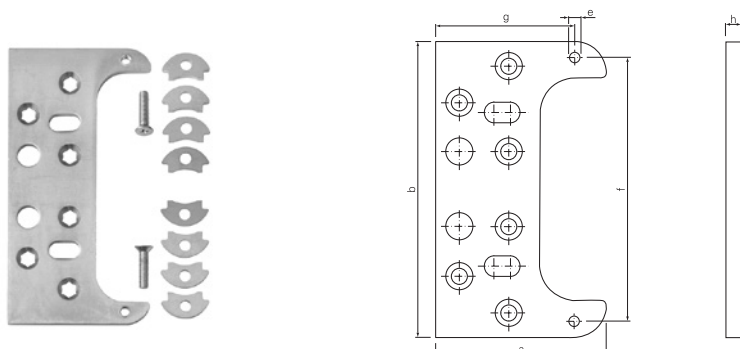
a	b mm	c mm	d mm	e mm	f mm	g mm	
64.9	200.0	174.0	54.5	5.0	187.0	4.0	

Application

- For hinge W-Tec 3Ds

Product / Application	art. No	Material	Surface		Packaging
WTEC3DSSP00SZ	1502901	Steel	Zinc		10

W-Tec 3D+ 60 - Reinforcement plate for cover frame



Technical information

a mm	b mm	d1 mm	d2 mm	e mm	f mm	h mm	
68.5	134.0	47.0	14.0	5.0	122.0	4.0	

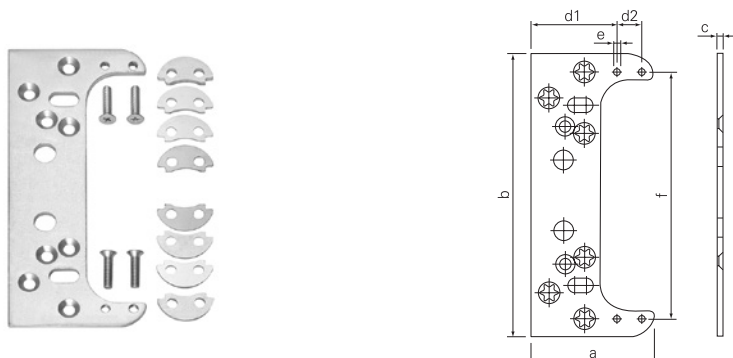
Application

- For hinge W-Tec 3D+60

Product / Application	art. No	Material	Surface		Packaging
WTEC3D60SP00SZ	1364646	Steel	Zinc		10

W-Tec-3D-100-P00

W-Tec 3D+ 100/160 - Reinforcement plate for cover frame



Technical information

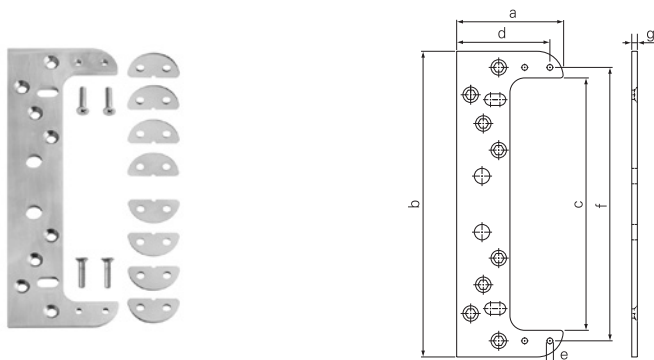
a	b mm	d1 mm	d2 mm	e mm	f mm	h mm	
68.5	160.0	47.0	14.0	5.0	140.0	4.0	

Application

- For hinges W-Tec 3D+100/160

Product / Application	art. No	Material	Surface		Packaging
WTEC3D100SP05SZ	1364662	Steel	Zinc		10

W-Tec 3DL - Reinforcement plate for cover frame



Technical information

a	b mm	c mm	d mm	e mm	f mm	g mm	
75.9	218.0	180.0	66.5	5.0	195.0	4.0	

Application

- For hinge W-Tec 3DL

Product / Application	art. No	Material	Surface		Packaging
WTEC3DLSP00SZ	1558328	Steel	Zinc		10

BPC-175

BPC - Reference jig for 175



Technical information

Product / Application	art. No				Packaging
BPC175M12	1272159				1

BA - Drilling jig for 169, 170 and 230



Technical information

Application

- For rebated application

Product / Application	art. No				Packaging
BA14230-00	1272432				1
BA15M7169	1272429				1
BA13M7169/1	1272243				1

BA-T-J3D

BA - Milling jig Just 3D



Technical information

Application

- For frame

Product / Application	art. No				Packaging
BA-T-J3D-00	1272107				1

BA - Milling jig Just 3D



Technical information

Application

- For sash

Product / Application	art. No		Description		Packaging
BA-A-E3D30/J3D	1361197		Milling jig		1
BA-AF-J3D-00	1272108		Insert Just 3D		1

BA-E3D-02

BA - Reference jig for Easy 3D



Technical information

Application

- For frame

Product / Application	art. No				Packaging
BA-E3D-02	1272674				1

BA - Milling jig Easy 3D



Technical information

Application

- For frame

Product / Application	art. No		Description		Packaging
BA-T-E3D-01	1339001		Milling jig		1
BIF-T-E3D-00	1272545		Insert Easy 3D-20/25 (cutter Ø 20 ring Ø 30)		1
BIF-T-E3D-08	1272743		Insert Easy 3D-23/24/26 (cutter Ø 20 ring Ø 30)		1
BA-2S-E3D-00-AL	1272246		Spacer Easy 3D airgap 12mm		1

BA-A-E3D

BA - Milling jig Easy 3D



Technical information

Application

- For sash

Product / Application	art. No		Description		Packaging
BA-A-E3D-01	1338998		Milling jig Easy 3D		1
BA-A-E3D30/J3D	1361197		Milling jig Easy 3D-30		1
BIF-A-E3D-00	1272544		Insert Easy 3D-20/25 (cutter Ø 20 ring Ø 30)		1
BIF-A-E3D-08	1272742		Insert Easy 3D-23/24/26 (cutter Ø 20 ring Ø 30)		1

BA - Reference jig for Easy 3D Ø 20 Stainless Steel



Technical information

Application

- For sash

Product / Application	art. No				Packaging
BA-E3D-03	1272876				1

Milling cutter for Easy 3D



Technical information

Application

- Cutter Ø 20

Product / Application	art. No				Packaging
B-PF-E3D-00	1272206				1

BA - Milling jig W-Tec 3D+



Technical information

Product / Application	art. No		Description		Packaging
BA-WTEC3D-00	1272844		Milling jig		1
BIF-WTEC3D-60-00-000	1365130		Insert W-Tec 3D+ 60 (cutter Ø 20 ring Ø 30)		1
BIF-WTEC3D-100-05-000	1365131		Insert W-Tec 3D+ 100/160 (cutter Ø 20 ring Ø 30)		1
BIF-WTEC3D-60-00-001	1365239		Insert W-Tec 3D+ 60 (cutter Ø 16 ring Ø 27)		1
BIF-WTEC3D-100-05-001	1365240		Insert W-Tec 3D+ 100/160 (cutter Ø 16 ring Ø 27)		1

BA-W-Tec-3DL

BA - Milling jig W-Tec 3DL



Technical information

Product / Application	art. No		Description		Packaging
BA-WTEC3DL-00-000	1558749		Milling jig + insert		1

BA - Jig Dynamic 3DN



Technical information

Technical information section containing a large greyed-out area and a blank line.

Product / Application	art. No				Packaging
BA-D3DN16-02	1550245				1

BA-D3D20-03

BA - Jig Dynamic 3D Ø 20 for Veka groove 24mm



Technical information

Product / Application	art. No				Packaging
BA-D3D20-03	1514856				1

BA - Jig Dynamic 3D Ø 20 for 16/20mm groove



Technical information

Product / Application	art. No				Packaging
BA-D3D20-04	1548895				1

BBOX-20-50B2

BBOX - Fitting set 20 and 50B



Technical information

Application

- For rebated application

Product / Application	art. No				Packaging
BBOX/109	21294				1
BBOX/111	21313				1
BBOX/113	21321				1
BBOX/114	21330				1
BBOX/116	21356				1

BBOX - Fitting set 40H



Technical information

Application

- For rebated application

Product / Application	art. No				Packaging
BBOX/11640H	21360				1

BBOX-520

BBOX - Fitting set 40H



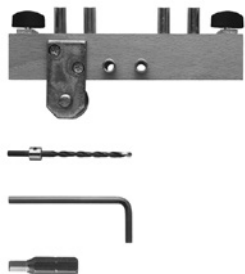
Technical information

Application

- For rebated application

Product / Application	art. No				Packaging
BBOX/518	21255				1
BBOX/520	21258				1

BBOX - Fitting set 11R Ø 14



Technical information

Application

- For rebated application

Product / Application	art. No		Description		Packaging
BBOX/11411R00	1272405		14x80mm with airgap		1
BBOX/11411R02	1272450		14x80mm without airgap		1

BBOX-11R-12R1

BBOX - Fitting set 11R and 12R



Technical information

Application

- For rebated application

Product / Application	art. No		Description		Packaging
BBOX/11512R16	1271965		15x92mm with airgap		1
BBOX/11512R1	1271978		15x112mm with airgap		1
BBOX/12012R	1271968		20x112mm with airgap		1
BBOX/11512R18	1272453		15x92mm without airgap		1
BBOX/12012R05	1272456		20x112mm without airgap		1

BBOX - Fitting set 20, 50B and 40H



Technical information

Application

- For flush fit application

Product / Application	art. No				Packaging
BBOX/40911	21236				1
BBOX/41314	21240				1
BBOX/41416	21242				1

BBOX-11R-12R2

BBOX - Fitting set for adjustable hinges



Technical information

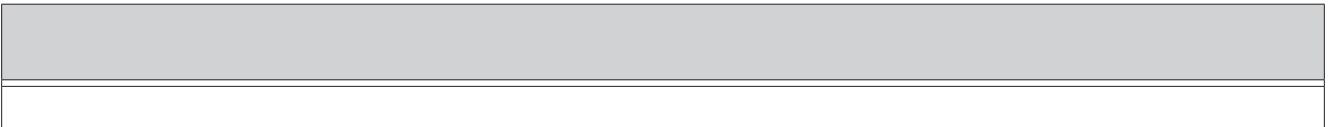
Application

- For flush fit application

Product / Application	art. No		Description		Packaging
BBOX/31411R00	1272406		14x80mm with airgap		1
BBOX/31512R16	1272029		15x92mm with airgap		1
BBOX/32012R	1271995		20x112mm with airgap		1
BBOX/31411R03	1272451		14x80mm without airgap		1
BBOX/31512R20	1272455		15x92mm without airgap		1
BBOX/31512R19	1272454		15x112mm without airgap		1
BBOX/32012R06	1272457		20x112mm without airgap		1

TB - Bar 12x12x1,5

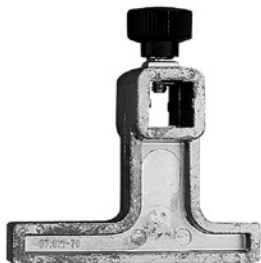
Technical information



Product / Application	art. No				Packaging
TUBO QUADRO 240	298442				1

ST

ST - Stop for bar



Technical information

Technical information section containing a large greyed-out area and a small empty box below it.

Product / Application	art. No				Packaging
STAFFA DI POSIZIONAMENTO	298450				1

BPG - Drill bit for hinges



Technical information

Product / Application	art. No		Description		Packaging
BPG3X100	1272045		For Dynamic 3D - 3,0x100		1
BPG13SR	21418		For 11R Ø 14 - 6,7x148		1
BPG20SR	21428		For 11R Ø 20 - 8,8x175		1
BPG16SR	21424		For 11R Ø 15 - 7,7x165		1
HSS-7,2X156	519413		For Dynamic 3D - 7,2x156		1
BPG11X140	1549152		For Dynamic 3D - 11,0x140		10

Accessories



- BF
Page 9.69

BPG

BPG - Drill bit for standard hinges



Technical information

Product / Application	art. No		Description		Packaging
BPG09SR	1271976		5,2x132		1
BPG11SR	21417		5,7x139		1
BPG13SR	21418		For 11R Ø 14 - 6,7x148		1
BPG14SR	21420		7,2x156		1
BPG16SR	21424		For 11R Ø 15 - 7,7x165		1
BPG18SR	21426		8,6x175		1
BPG20SR	21428		For 11R Ø 20 - 8,8x175		1

Accessories



- BF
Page 9.69

BF - Deep stop



Technical information

Product / Application	art. No	For hinge Ø		Packaging
BF0911SZ	1271958	09/11		1
BF1314SZ	21269	13/14		1
BF16SZ	21273	16		1
BF1820SZ	21281	18/20		1

Accessories



- BPG
Page 9.68

BP

BP - Adjustment pin for 20, 50B and 40H



Technical information

Product / Application	art. No	For hinge Ø			Packaging
BP09SZ	1271974	09			1
BP11SZ	21406	11			1
BP13SZ	21407	13			1
BP14SZ	21408	14			1
BP16SZ	21409	16			1

BG - Hook



Technical information

Product / Application	art. No	For hinge Ø			Packaging
BG09SZ	1271959	09			1
BG11SZ	1144103	11			1
BG13-B-SZ	413420	13			1
BG14-B-SZ	413421	14			1
BG15-B-SZ	413422	15			1
BG16-B-SZ	413423	16			1
BG18SZ	21311	18			1
BG20SZ	21322	20			1

B1M-00-ST

B1M - Hand tool for hook



Technical information

Product / Application	art. No				Packaging
B1M00SZ	1271956				1

Accessories



- BG
Page 9.71

TEST - Spindle



Technical information

Application

- To screw in the 2 threaded studs

Product / Application	art. No				Packaging
TESTA DI AVVITATURA 2 MAND.	413441				1



SFS intec S.r.l
Via Castelfranco Veneto 71
IT-33170 Pordenone

it.info@sfsintec.biz
www.sfsintec.it